

Customer	Date	01.07.2021
Contact	Project	
Phone number	Project no.	
Email		

HVL3D4-15SV1GE4F60-G

Operating data

Pumpe ty pe	Single-/Multi-pump set	Fluid	Water
No. of pumps / Standby pump	3 / 0	Operating temperature t A	°F 39.2
Nominal flow	US g.p.m. 0		
Nominal head	ft 0		
Static head	ft 0		
Inlet pressure	psi 0		
Env ironmental temperature	°F 68		
Av ailable system NPSH	ft 0		

Pump data

Make	Goulds	Nominal	US g.p.m. ()
Speed	rpm 3500	Flow	Max- US g.p.m. 129.2
No. of stages	1		Min- US g.p.m.
Max. casing pressure	psi		Nominal ft
Max. working pressure	psi 27.5	Head	at Qmax ft 22
Head H(Q=0)	ft 63		at Qmin ft 63.5
Weight	lb 893	Shaft power	hp ()
Communication Protocol	None Selected	Max. shaft power	hp 6
		Efficiency	%
		NPSH 3%	ft

Pump Materials

1 - Pump Body	Stainless Steel (AISI 304)
2 - Impeller	Stainless Steel (AISI 304)
3 - Diff user	Stainless Steel (AISI 304)
4 - Casing	Stainless Steel (AISI 316L)
5 - Shaft	Stainless Steel (AISI 316)
6 - Adapter	Cast Iron (ASTM Class 35/40B)
7 - Base	Aluminum (A384.0-F)
8 - Coupling	Aluminum (A384.0-F)
9 - Seal Plate	Stainless Steel (AISI 316L)
10 - Coupling Guard	Stainless Steel (AISI 304)
11 - Shaft Sleeve and Bushing	Tungsten carbide
12 - Fill/Drain Plugs	Stainless Steel (AISI 316)
13 - Tie Rods	Carbon Steel / Zinc Plated (A29 Gr. 1045)
14 - Wear Ring	PPS
15 - Seal Gland	Stainless Steel (AISI 316)

Shaft Seal

1 - Rotating Face	Carbon
2 - Stationary Face	Silicon Carbide Graphite Filled
3 - Elastomers	Viton
4 - Spring	316SS
5 - Metal Components	316SS

Motor data

Specific design	3ph TEPE (eHV)		
Type	V08A32E5BB2S	Electric voltage	460 V
Rated power	2 hp	Electric current	0 A
Speed	3500 rpm	Degree of protection	IP 55
Frame size	56C	Insulation class	B



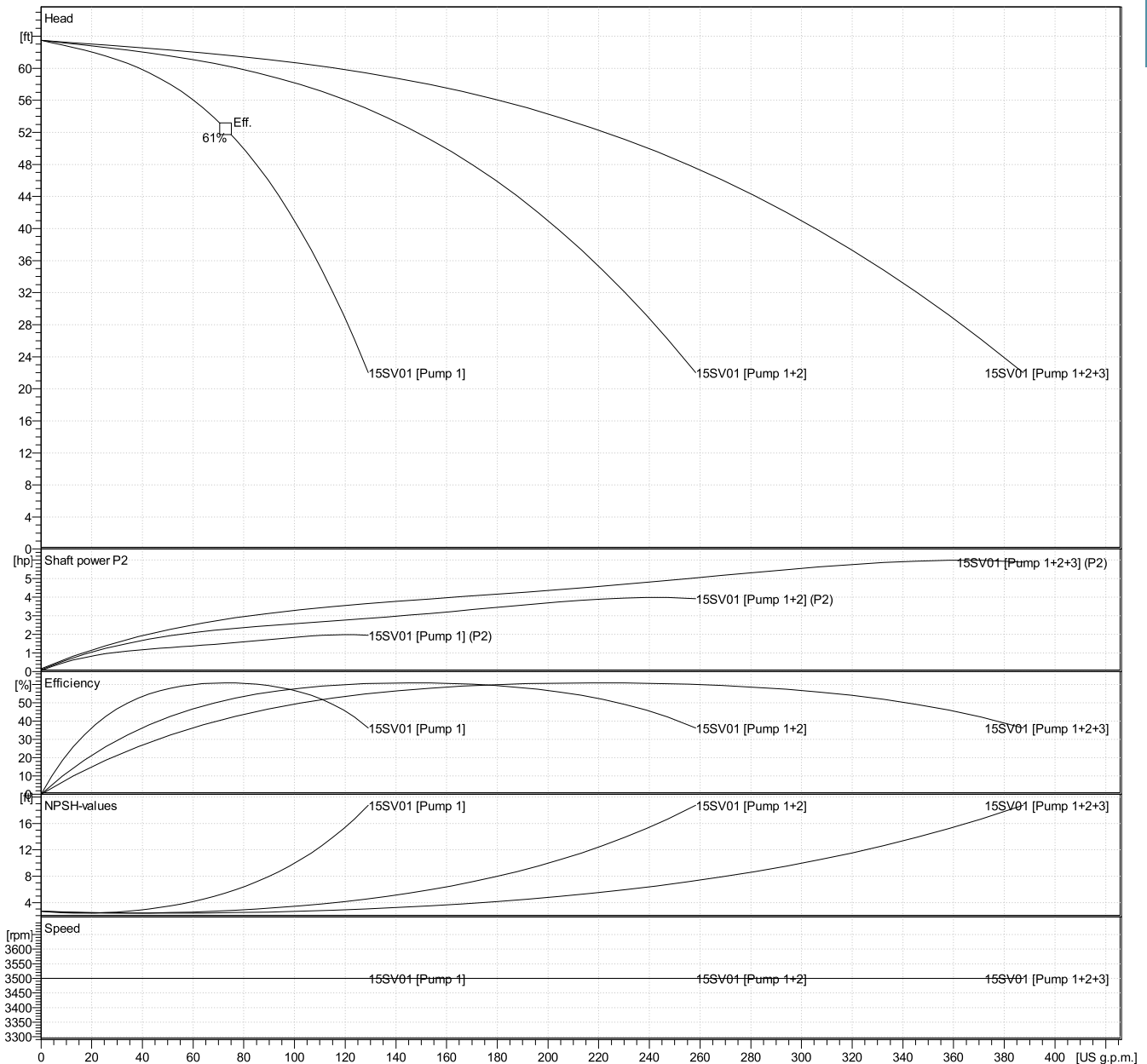
Customer	Date	01.07.2021
Contact	Project	
Phone number	Project no.	
Email		

HVL3D4-15SV1GE4F60-G

Hydraulic Data

Operating Data Specification		Hydraulic data (duty point)		Impeller design	
Flow	0 US g.p.m.	Flow		Impeller R	0 inch
Head	0 ft	Head		Frequency	60 Hz
Static head	0 ft	Head		Speed	3500 rpm

Power data referred to:
 Water [100%] ; 39.2°F; 62.4lb/ft³; 1.69E-5ft²/s
 Performance according to ANSI/HI 14.6 - Grade 2B

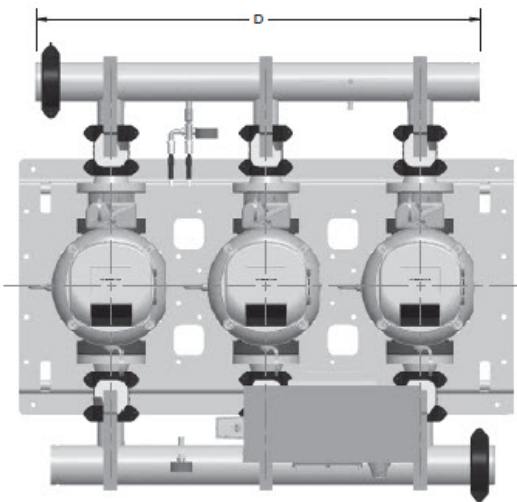




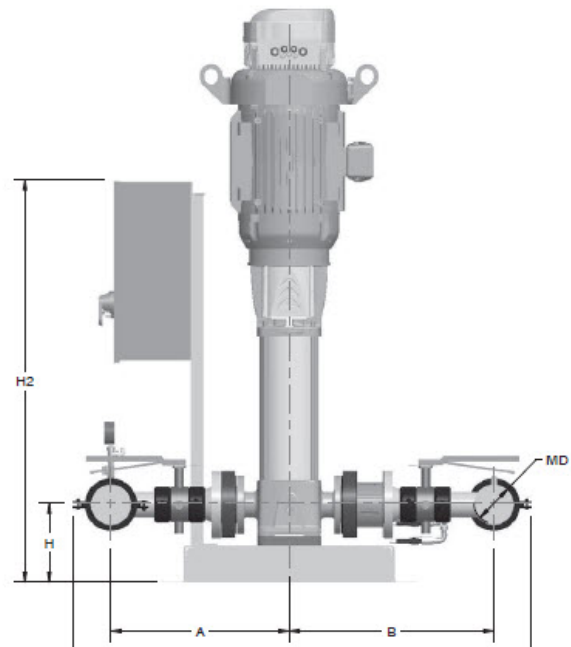
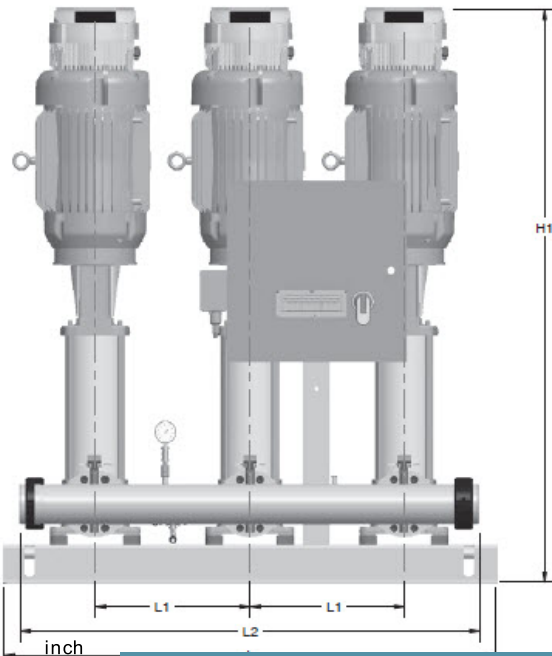
Customer	Date	01.07.2021
Contact	Project	
Phone number	Project no.	
Email		

HVL3D4-15SV1GE4F60-G

Drawing



TechnoForce e-HV Dimensions 15SV



Di

A	20	L2	46 ^{1/32}			Weight
B	23	MD	4			892.99 lb
C	51 ^{9/16}					
D	44 ^{1/4}					
H	7 ^{11/16}					
H1	40 ^{13/16}					
H2	38 ^{5/16}					
L	50 ^{1/8}					
L1	14 ^{9/16}					