



---

# Customer information packet

## EJMM3713T

15HP, 3500RPM, 3PH, 60HZ, 215JM, 3752M, TEFC, F

PFC EQUIPMENT

Class - None

Division - Not Applicable

## Specifications

Enclosure	TEFC
Frame	215JM
Frame Material	Steel
Frequency	60.00 Hz
Output @ Frequency	15.000 HP @ 60 HZ
Phase	3
Synchronous Speed @ Frequency	3600 RPM @ 60 HZ
Voltage @ Frequency	208.0 V @ 60 HZ 230.0 V @ 60 HZ 460.0 V @ 60 HZ
XP Class and Group	None
XP Division	Not Applicable
Agency Approvals	UR CSA CSA EEV
Ambient Temperature	40 °C
Auxillary Box	No Auxillary Box
Auxillary Box Lead Termination	None
Base Indicator	Rigid
Bearing Grease Type	Polyrex EM (-20F +300F)
Blower	None
Current @ Voltage	36.800 A @ 208.0 V 34.000 A @ 230.0 V 17.000 A @ 460.0 V
Design Code	A
Drip Cover	No Drip Cover
Duty Rating	CONT
Efficiency @ 100% Load	91.0 %
Electrically Isolated Bearing	Not Electrically Isolated
Feedback Device	NO FEEDBACK
Front Face Code	Standard
Front Shaft Indicator	None

## Part detail

Revision	M
Type	AC
Mech. spec.	37M031
Base	
Status	PRD/A
Elec. spec.	37WGR228
Layout	37LYM031
Eff. date	12-02-2020
CD Diagram	CD0180
Poles	02
Leads	9#14
Proprietary	False
Created date	05-19-2015

Heater Indicator	No Heater
High Voltage Full Load Amps	17.0 a
Insulation Class	F
Inverter Code	Inverter Ready
KVA Code	J
Lifting Lugs	Standard Lifting Lugs
Locked Bearing Indicator	Locked Bearing
Motor Lead Exit	Ko Box
Motor Lead Quantity/Wire Size	9 @ 14 AWG
Motor Lead Termination	Flying Leads
Motor Standards	NEMA
Motor Type	3752M
Mounting Arrangement	F1
Number of Poles	2
Overall Length	22.39 IN
Power Factor	89
Product Family	General Purpose
Pulley End Bearing Type	Ball
Pulley Face Code	C-Face
Pulley Shaft Indicator	Tapped & Key
Rodent Screen	None
Service Factor	1.15
Shaft Diameter	0.875 IN
Shaft Extension Location	Pulley End
Shaft Ground Indicator	No Shaft Grounding
Shaft Rotation	Reversible
Shaft Slinger Indicator	No Slinger
Speed	3500 rpm
Speed Code	Single Speed
Starting Method	Direct on line
Thermal Device - Bearing	None
Thermal Device - Winding	None
Vibration Sensor Indicator	No Vibration Sensor
Winding Thermal 1	None

**Winding Thermal 2**

**None**

---

**Nameplate**

**NP3441LUA**

<b>CAT.NO.</b>	EJMM3713T						
<b>SPEC</b>	37M031R228G2						
<b>HP</b>	15						
<b>VOLTS</b>	208-230/460						
<b>AMPS</b>	36.8-34/17						
<b>RPM</b>	3500						
<b>FRAME</b>	215JM	<b>HZ</b>	60	<b>PH</b>	3		
<b>SF</b>	1.15	<b>CODE</b>	J	<b>DES</b>	A	<b>CLASS</b>	F
<b>NEMA NOM. EFF</b>	91	<b>PF</b>	89				
<b>RATING</b>	40C AMB-CONT						
<b>CC</b>	010A	<b>USABLE AT 208V</b>					
<b>ENCL</b>	TEFC	<b>SER</b>					
<b>DE</b>	6309	<b>ODE</b>	6206				
<b>VPWM INVERTER READY</b>							
<b>CT6-60H(10:1)VT3-60H(20:1</b>	50Hz 15HP 190/380V 40.8/20.4A						SF1.0

## Parts list

Part number	Description	Quantity
SA301053	SA 37M031R228G2	1.000 ea
RA288124	RA 37M031R228G2	1.000 ea
37FN3002B01	EXFN, PLASTIC, 7.50 OD, 1.155 ID	1.000 ea
HW3200A01	3/8-16X3/4 I-BLT WELDED F/S	1.000 ea
37CB3006	37 CB CASTING W/1.38 LEAD HOLE @ 6:00	1.000 ea
37GS1000SP	GASKET, CONDUIT BOX STD., .06 THICK LEXI	1.000 ea
51XW2520A12	.25-20 X .75, TAPTITE II, HEX WSHR SLTD	2.000 ea
11XW1032G06	10-32 X .38, TAPTITE II, HEX WSHR SLTD U	1.000 ea
37EP3101A29	FR ENDPLATE, FOR ROUTING PURPOSES	1.000 ea
HW4500A17	317400 ALEMITE GREASE RELIEF	1.000 ea
HW4500A01	1641B(ALEMITE)400 UNIV, GREASE FITT	1.000 ea
HW5100A06	W2420-025 WVY WSHR (WB)	1.000 ea
37PE3401T11	PUEP ASSEMBLY FOR ROUTING PURPOSES	1.000 ea
HW4500A17	317400 ALEMITE GREASE RELIEF	1.000 ea
HW4500A01	1641B(ALEMITE)400 UNIV, GREASE FITT	1.000 ea
10XN2520A36	1/4-20X 2 1/4 HEX HD X	4.000 ea
HW1001A25	LOCKWASHER 1/4, ZINC PLT .493 OD, .255 I	4.000 ea
XY3118A12	5/16-18 HEX NUT DIRECTIONAL SERRATION	4.000 ea
07FH4007SP	PRIMED	1.000 ea
51XW1032A06	10-32 X .38, TAPTITE II, HEX WSHR SLTD S	3.000 ea
HW4600A73	SLINGER 1.748 X 2.375 X 0.250 FACE SEAL	1.000 ea
37CB4516	LIPPED LID FOR 37 FRAME NEC KOBX	1.000 ea
37GS1008	37 GS FOR CB LID - LEXIDE	1.000 ea
51XW0832A07	8-32 X .44, TAPTITE II, HEX WSHR SLTD SE	4.000 ea
HW2501D13	KEY, 3/16 SQ X 1.375	1.000 ea
HA7000A01	KEY RETAINER 7/8" DIA SHAFT	1.000 ea
LB1115N	LABEL,LIFTING DEVICE (ON ROLLS)	1.000 ea
85XU0407S04	4X1/4 U DRIVE PIN STAINLESS	2.000 ea
MJ1000A02	GREASE, MOBIL POLYREX EM - 124047	0.050 lb
MG1000Y03	MUNSELL 2.53Y 6.70/ 4.60, GLOSS 20,	0.028 ga
51XB1214A20	12-14X1.25 HXWSSLD SERTYB	1.000 ea

HA3104A25	THRUBOLT .31-18 X 14.75	4.000 ea
LB1119N	WARNING LABEL	1.000 ea
LC0181	CONNECTION LABEL	1.000 ea
NP3441LUA	ALUM SUPER-E VPWM INV READY UL CSA-EEV C	1.000 ea
37PA1074	PALLET PACK GRP, PRINT BOX PK1026A06	1.000 ea
MN416A01	TAG-INSTAL-MAINT no wire (1200/bx) 1/21	1.000 ea

**AC Induction Motor Performance Data**

Record # 84035

Typical performance - not guaranteed values

<b>Winding: 37WGR228-R001</b>		<b>Type: 3752M</b>		<b>Enclosure: TEFC</b>	
<b>Nameplate Data</b>			<b>460 V, 60 Hz: High Voltage Connection</b>		
<b>Rated Output (HP)</b>	15	<b>Full Load Torque</b>	22.12 LB-FT		
<b>Volts</b>	208-230/460	<b>Start Configuration</b>	direct on line		
<b>Full Load Amps</b>	36.8-34/17	<b>Breakdown Torque</b>	103 LB-FT		
<b>R.P.M.</b>	3500	<b>Pull-up Torque</b>	40.16 LB-FT		
<b>Hz</b>	60 <b>Phase</b>	3	<b>Locked-rotor Torque</b>	57.59 LB-FT	
<b>NEMA Design Code</b>	A <b>KVA Code</b>	J	<b>Starting Current</b>	150 A	
<b>Service Factor (S.F.)</b>	1.15	<b>No-load Current</b>	5.55 A		
<b>NEMA Nom. Eff.</b>	91 <b>Power Factor</b>	89	<b>Line-line Res. @ 25°C</b>	0.47 Ω	
<b>Rating - Duty</b>	40C AMB-CONT	<b>Temp. Rise @ Rated Load</b>	68°C		
<b>S.F. Amps</b>		<b>Temp. Rise @ S.F. Load</b>	84°C		
		<b>Locked-rotor Power Factor</b>	30.9		
		<b>Rotor inertia</b>	0.474 lb-ft <sup>2</sup>		

**Load Characteristics 460 V, 60 Hz, 15 HP**

<b>% of Rated Load</b>	<b>25</b>	<b>50</b>	<b>75</b>	<b>100</b>	<b>125</b>	<b>150</b>	<b>S.F.</b>
<b>Power Factor</b>	56	78	85	89	90	90	90
<b>Efficiency</b>	86.7	91	91.9	91.4	90.8	89.8	91
<b>Speed</b>	3579	3557	3534	3500	3484	3456	3490
<b>Line amperes</b>	6.7	9.57	13.19	17.03	21.12	25.61	19.5



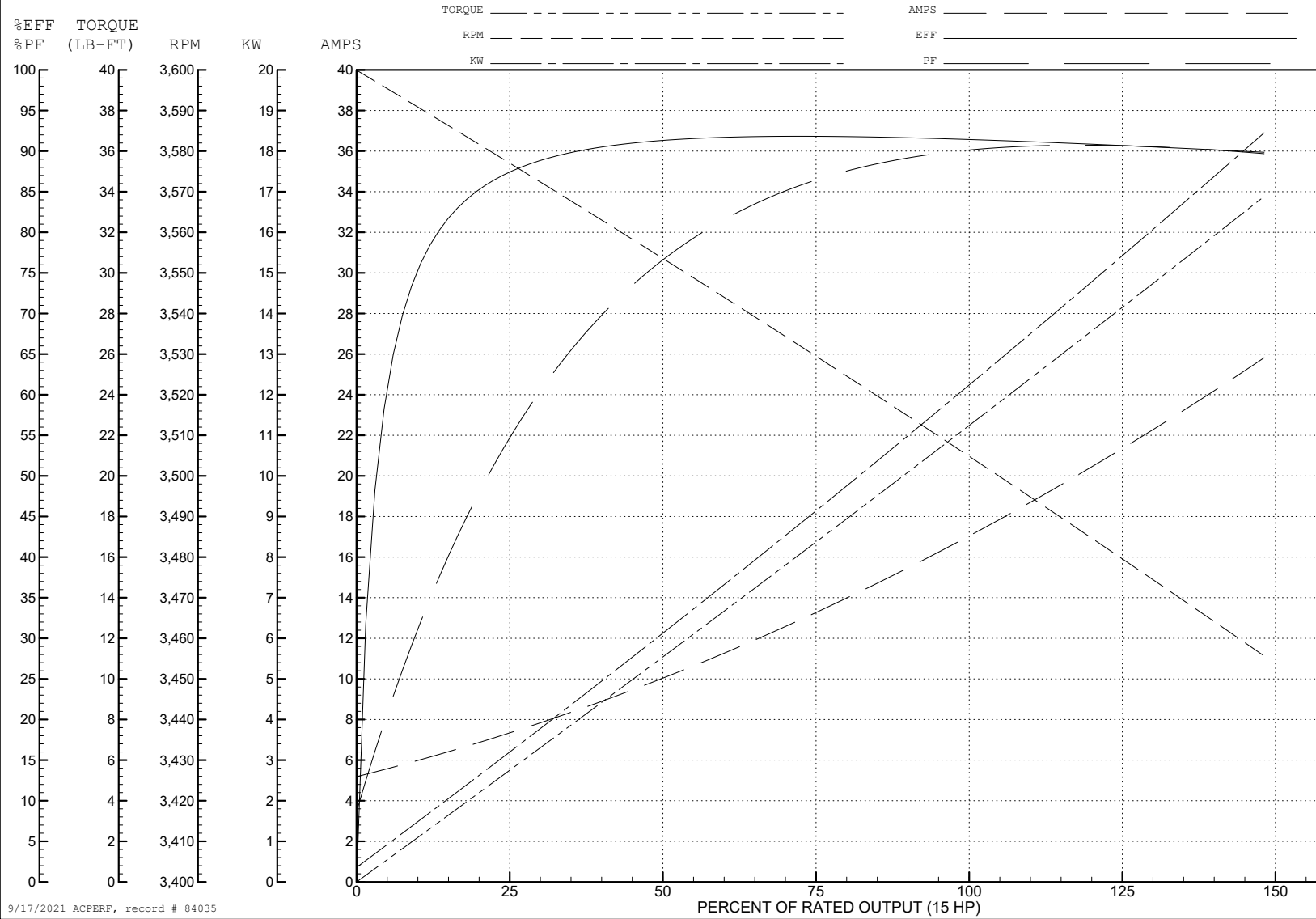
ABB Motors and Mechanical Inc.

WINDING # 37WGR228

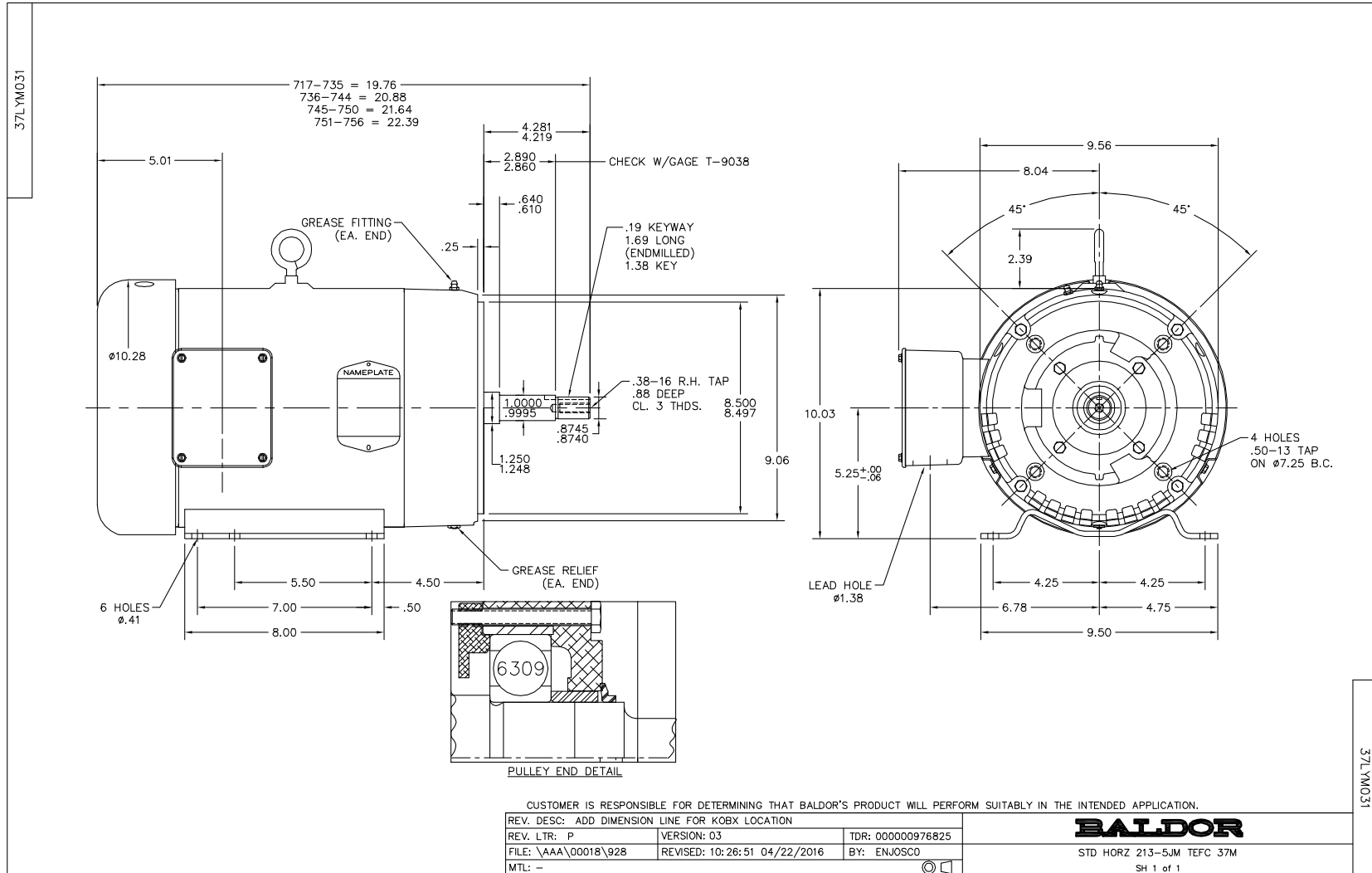
Typical performance - not guaranteed values.

15 HP 3 PH 60 HZ 3500 RPM 460 V 3752M

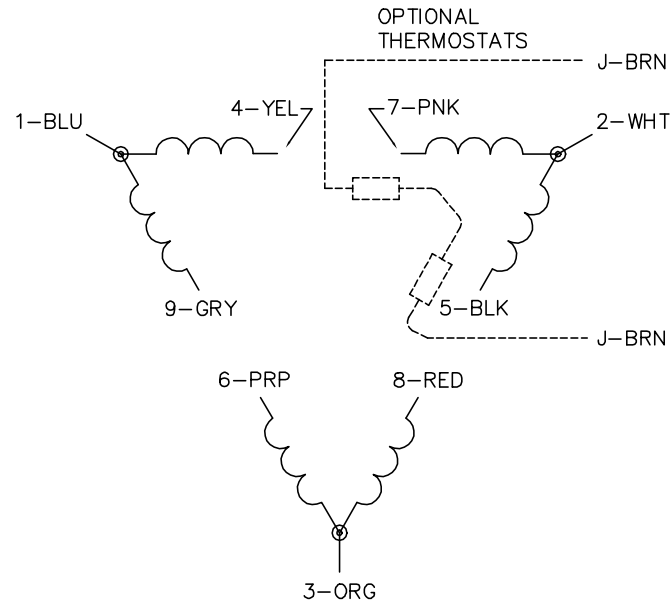
TORQUES (LB-FT): PO=103 PU=40.16 LR=57.59 LRA=150



9/17/2021 ACPERF, record # 84035



CD0180



LOW VOLTAGE  
(2D)



HIGH VOLTAGE  
(1D)



NOTES:

1. INTERCHANGE ANY TWO LINE LEADS TO REVERSE ROTATION.
2. OPTIONAL THERMOSTATS ARE PROVIDED WHEN SPECIFIED.
3. ACTUAL NUMBER OF INTERNAL PARALLEL CIRCUITS MAY BE A MULTIPLE OF THOSE SHOWN ABOVE.
4. LEAD COLORS ARE OPTIONAL. LEADS MUST ALWAYS BE NUMBERED AS SHOWN.

CD0180

REV. DESC: ADD CLASS CONN00000007		
REV. LTR: D	VERSION: 01	TDR: 000001099922
FILE: \AAA\00005\148	REVISED: 10: 25: 29 02/19/2019	BY: ENBRIRO
MTL: -	© □	

**BALDOR - RELIANCE®**

3PH, DV, 9 LEADS, DELTA CONNECTION

SH 1 of 1