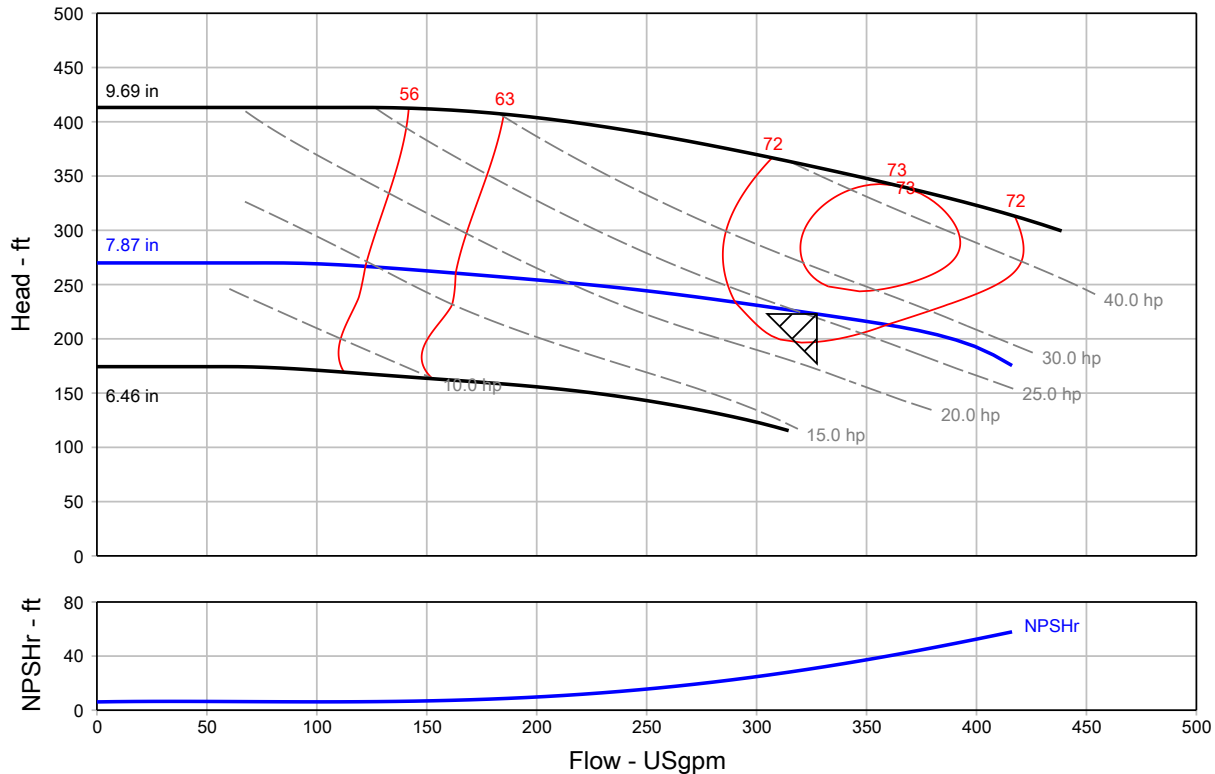


## Pump Performance Datasheet

|                      |                         |                    |
|----------------------|-------------------------|--------------------|
| Customer :           | Quote Number / ID :     | 596697             |
| Customer ref. / PO : | Model :                 | NBS 015-095-2P     |
| Tag Number : 001     | Stages :                | 1                  |
| Service :            | Based on curve number : | 015-095-2P_Std     |
| Quantity : 1         | Basic model number :    | -                  |
|                      | Date last saved :       | 05/31/2022 1:29 PM |

| Operating Conditions                            |                             | Liquid                             |                               |
|---|-----------------------------|------------------------------------|-------------------------------|
| Flow, rated                                     | : 327.4 USgpm               | Liquid type                        | : Cold Water                  |
| Differential head / pressure, rated (requested) | : 222.9 ft                  | Additional liquid description      | :                             |
| Differential head / pressure, rated (actual)    | : 222.9 ft                  | Solids diameter, max               | : 0.00 in                     |
| Suction pressure, rated / max                   | : 0.00 / 0.00 psi.g         | Solids concentration, by volume    | : 0.00 %                      |
| NPSH available, rated                           | : Ample                     | Temperature, max                   | : 68.00 deg F                 |
| Site Supply Frequency                           | : 60 Hz                     | Fluid density, rated / max         | : 1.000 / 1.000 SG            |
|   |                             | Viscosity, rated                   | : 1.00 cP                     |
|   |                             | Vapor pressure, rated              | : 0.34 psi.a                  |
| Performance                                     |                             | Material                           |                               |
| Speed, rated                                    | : 3500 rpm                  | Material selected                  | : Cast iron / 125 Class       |
| Impeller diameter, rated                        | : 7.87 in                   | Pressure Data                      |                               |
| Impeller diameter, maximum                      | : 9.69 in                   | Maximum working pressure           | : 116.8 psi.g                 |
| Impeller diameter, minimum                      | : 6.46 in                   | Maximum allowable working pressure | : 175.0 psi.g                 |
| Efficiency                                      | : 72.58 %                   | Maximum allowable suction pressure | : 130.0 psi.g                 |
| NPSH required / margin required                 | : 31.24 / 0.00 ft           | Hydrostatic test pressure          | : 263.0 psi.g                 |
| nq (imp. eye flow) / S (imp. eye flow)          | : 16 / 84 Metric units      | Driver & Power Data (@Max density) |                               |
| MCSF  | : 29.09 USgpm               | Motor sizing specification         | : Max power (non-overloading) |
| Head, maximum, rated diameter                   | : 270.0 ft                  | Margin over specification          | : 0.00 %                      |
| Head rise to shutoff                            | : 21.11 %                   | Service factor                     | : 1.15 (used)                 |
| Flow, best eff. point                           | : 327.4 USgpm               | Power, hydraulic                   | : 18.42 hp                    |
| Flow ratio, rated / BEP                         | : 100.00 %                  | Rated power (based on duty point)  | : 25.38 hp                    |
| Diameter ratio (rated / max)                    | : 81.22 %                   | Max power (non-overloading)        | : 28.19 hp                    |
| Head ratio (rated dia / max dia)                | : 62.26 %                   | Nameplate motor rating             | : 30.00 hp / 22.37 kW         |
| Cq/Ch/Ce/Cn [ANSI/HI 9.6.7-2010]                | : 1.00 / 1.00 / 1.00 / 1.00 |                                    |                               |
| Selection status                                | : Acceptable                |                                    |                               |
| Energy Indexes                                  |                             |                                    |                               |
| PEI (CL)  | : 0.87                      |                                    |                               |
| ER (CL)   | : 13                        |                                    |                               |



## Construction Datasheet

|                     |                    |                            |                   |
|---------------------|--------------------|----------------------------|-------------------|
| Project name        | Default            | Tag Number                 | 001               |
| Consulting engineer |                    | Service                    |                   |
| Customer            |                    | Model                      | NBS 015-095-2P    |
| Customer ref. / PO  |                    | Quantity                   | 1                 |
| Quote Number / ID   | 596697             | Quoted By (Sales Office)   | PFC EQUIPMENT INC |
| Date last saved     | 05/31/2022 1:29 PM | Quoted By (Sales Engineer) | Kelly Kresa       |

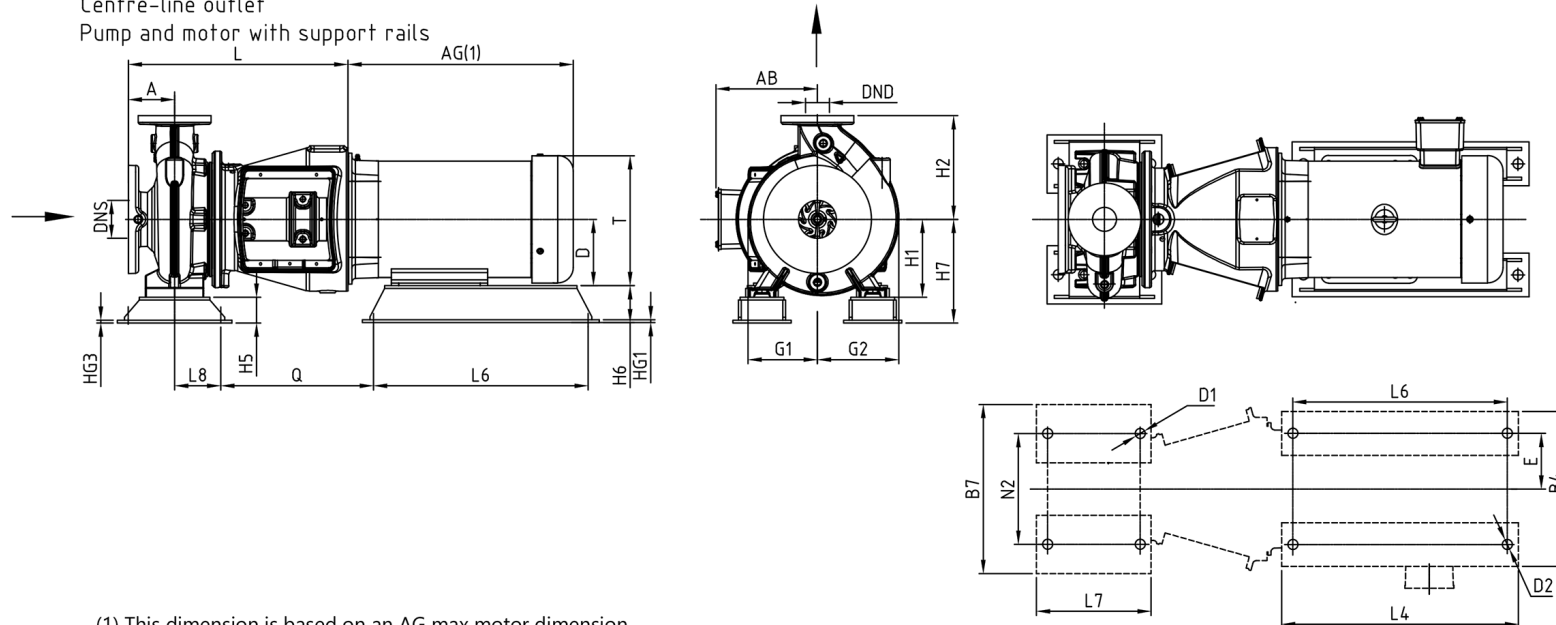
### Construction Code : NBS 015-095/7.87AASG6S2ESBQQEQX2

| Construction       |   | Motor Information               |                 |
|--------------------|---|---------------------------------|-----------------|
| Product Family     | NBS_Std   | Manufacturer                    | Baldor          |
| Suction Size       | 2.5 in.   | Frame Size                      | 286TSC          |
| Discharge Size     | 1.5 in.   | Power                           | 30 HP           |
| Flange Rating      | Class 125                                       | RPM                             | 3600            |
| Orientation        | Horizontal                                      | Enclosure                       | TEFC            |
| Rotation           | Clockwise                                       | Operating Power Supply          | 230/460/3/60    |
| Pump Housing       | Cast Iron, ASTM A48 - Class 35                  | Efficiency                      | Premium         |
| O-Ring             | EPDM  | Service Factor                  | 1.15            |
| Plug               | Galvanized                                      | Motor Application               | General Purpose |
|                    |   | Weight (Approx.)                |                 |
| Impeller           | Stainless Steel, AISI-304 / EN 1.430            | Pump                            | 217.0 lb        |
| Impeller Nut       | Stainless Steel, AISI-304                       | Support Rail                    | 49.00 lb        |
| Shaft              | Stainless Steel, AISI 420                       | Base Plate                      | -               |
| Cover              | Ductile Cast Iron, ASTM 70-50-05                | Driver                          | 389.0 lb        |
| Seal Type          | Rubber bellows seal                             | Estimated Shipping Gross Weight | 655.0 lb        |
| Shaft Seal         | BQQE - Silicon carbide / Silicon carbide / EPDM |                                 |                 |
| Seal Cap           | Ductile Cast Iron, ASTM 70-50-05                |                                 |                 |
| Motor Stool        | Gray Cast Iron, ASTM Class 30                   |                                 |                 |
| Recirculation Line | None  |                                 |                 |
| Coupling           | Rigid, Axial Split Coupling (aluminum)          |                                 |                 |
| Support Rail       | Support Rail                                    |                                 |                 |

## General Arrangement

|                     |                      |                            |                     |
|---------------------|----------------------|----------------------------|---------------------|
| Project name        | : Default            | Tag Number                 | : 001               |
| Consulting engineer | :                    | Service                    | :                   |
| Customer            | :                    | Model                      | : NBS 015-095-2P    |
| Customer ref. / PO  | :                    | Quantity of pumps          | : 1                 |
| Quote Number / ID   | : 596697             | Quoted By (Sales Office)   | : PFC EQUIPMENT INC |
| Date last saved     | : 05/31/2022 1:29 PM | Quoted By (Sales Engineer) | : Kelly Kresa       |

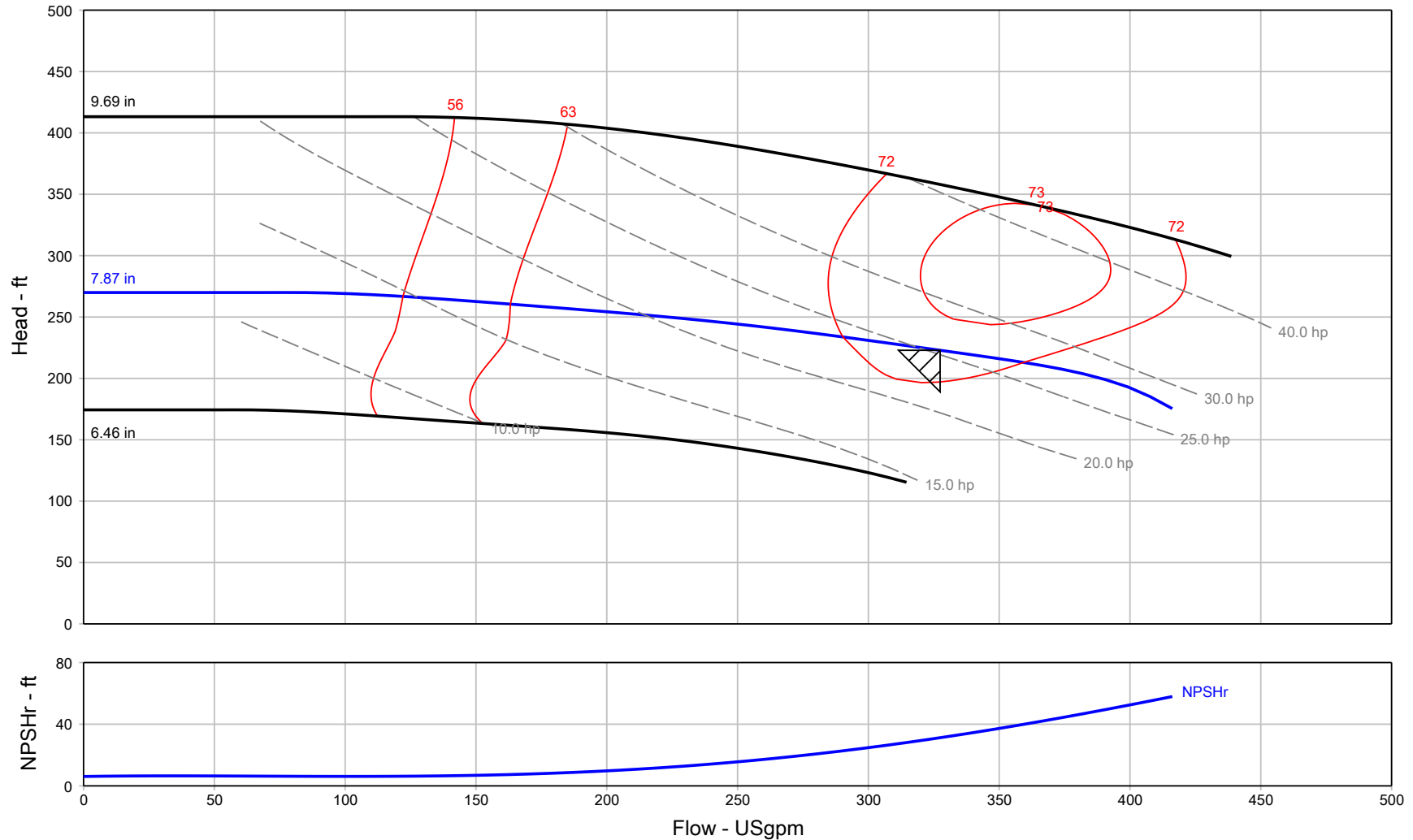
Mounting design C  
Centre-line outlet  
Pump and motor with support rails



**NOT FOR CONSTRUCTION, UNLESS CERTIFIED AND REFERENCED ON ORDER**

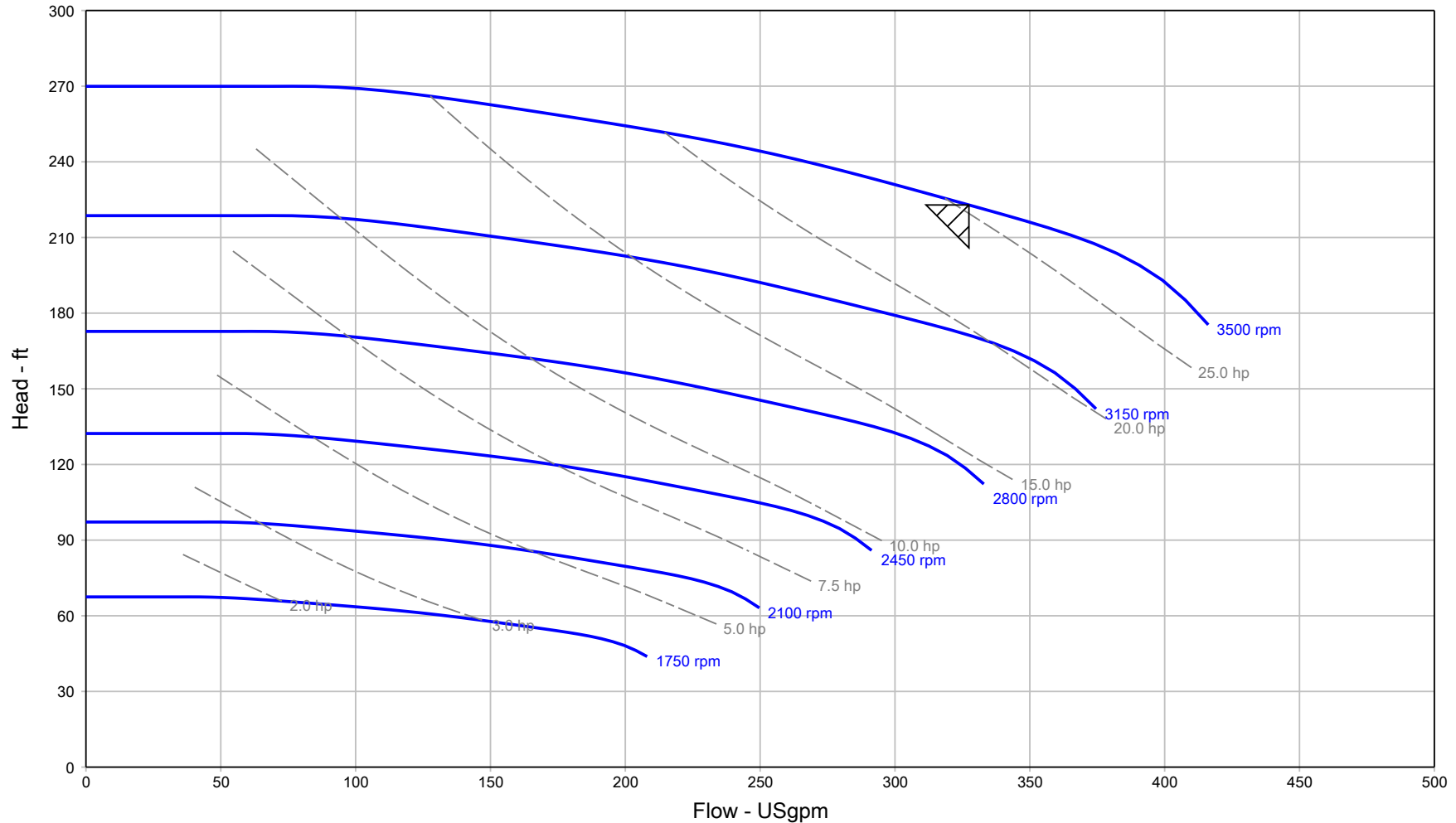
| Units                 | Frame  | DNS | DND | Class | A                  | AB    | AG    | B4    | B7    | D             | D1   | D2   | E    | G1   | G2         | H1   | H2   | H5   | H6   | H7               | HG1  | HG3  | L     | L4    | L6                  | L7   | L8   | N2   | Q     | T     | Weight |
|-----------------------|--------|-----|-----|-------|--------------------|-------|-------|-------|-------|---------------|------|------|------|------|------------|------|------|------|------|------------------|------|------|-------|-------|---------------------|------|------|------|-------|-------|--------|
| inches                | 286TSC | 2.5 | 1.5 | 125   | 4.00               | 13.13 | 23.56 | 13.95 | 12.80 | 7.00          | 0.69 | 0.69 | 5.50 | 5.94 | 6.69       | 7.00 | 9.00 | 1.00 | 1.00 | 8.00             | 0.50 | 0.50 | 15.44 | 22.25 | 20.75               | 8.75 | 3.63 | 9.84 | 10.17 | 14.63 | 655.0  |
| Conditions of Service |        |     |     |       |                    |       |       |       |       | Motor Data    |      |      |      |      |            |      |      |      |      |                  |      |      |       |       |                     |      |      |      |       |       |        |
| Flow: 327.4 USgpm     |        |     |     |       | Fluid: Cold Water  |       |       |       |       | HP: 30        |      |      |      |      | Encl: TEFC |      |      |      |      | Phase: 3         |      |      |       |       | Efficiency: Premium |      |      |      |       |       |        |
| TDH: 222.9 ft         |        |     |     |       | Temp.: 68.00 deg F |       |       |       |       | RPM: 3500 rpm |      |      |      |      | Hz: 60     |      |      |      |      | Voltage: 230/460 |      |      |       |       | S.F.: 1.15          |      |      |      |       |       |        |

**Pump Performance Curve**



|                       |                      |                            |                     |                                     |               |
|-----------------------|----------------------|----------------------------|---------------------|-------------------------------------|---------------|
| Project name          | : Default            | Tag Number                 | : 001               | Flow, rated                         | : 327.4 USgpm |
| Consulting engineer   | :                    | Service                    | :                   | Differential head / pressure, rated | : 222.9 ft    |
| Customer              | :                    | Model                      | : NBS 015-095-2P    | Rated power (based on duty point)   | : 25.38 hp    |
| Customer ref. / PO    | :                    | Quantity                   | : 1                 | Max power (non-overloading)         | : 28.19 hp    |
| Quote Number / ID     | : 596697             | Quoted By (Sales Office)   | : PFC EQUIPMENT INC | Efficiency                          | : 72.58 %     |
| Date last saved       | : 05/31/2022 1:29 PM | Quoted By (Sales Engineer) | : Kelly Kresa       | Impeller diameter, rated            | : 7.87 in     |
| Based on curve number | : 015-095-2P_Std     | Stages                     | : 1                 | PEI (CL)                            | : 0.87        |
|                       |                      | Speed, rated               | : 3500 rpm          | ER (CL)                             | : 13          |

**Multi-Speed Performance Curve**



|                     |                      |                            |                     |                                     |                             |
|---------------------|----------------------|----------------------------|---------------------|-------------------------------------|-----------------------------|
| Project name        | : Default            | Tag Number                 | : 001               | Speed, rated                        | : 3500 rpm                  |
| Consulting engineer | :                    | Service                    | :                   | Flow, rated                         | : 327.4 USgpm               |
| Customer            | :                    | Model                      | : NBS 015-095-2P    | Differential head / pressure, rated | : 222.9 ft                  |
| Customer ref. / PO  | :                    | Quantity                   | : 1                 | Fluid density, rated / max          | : 1.000 / 1.000 SG          |
| Quote Number / ID   | : 596697             | Quoted By (Sales Office)   | : PFC EQUIPMENT INC | Viscosity                           | : 1.00 cP                   |
| Date last saved     | : 05/31/2022 1:29 PM | Quoted By (Sales Engineer) | : Kelly Kresa       | Cq/Ch/Ce/Cn [ANSI/HI 9.6.7-2010]    | : 1.00 / 1.00 / 1.00 / 1.00 |
|                     |                      | Stages                     | : 1                 | Based on curve number               | : 015-095-2P_Std            |