

| | | |
|-----------------------|------------------------|-----------------|
| PROJECT: _____ | UNIT TAG: _____ | QUANTITY: _____ |
| REPRESENTATIVE: _____ | TYPE OF SERVICE: _____ | DATE: _____ |
| ENGINEER: _____ | SUBMITTED BY: _____ | DATE: _____ |
| CONTRACTOR: _____ | APPROVED BY: _____ | DATE: _____ |
| | ORDER NO.: _____ | DATE: _____ |

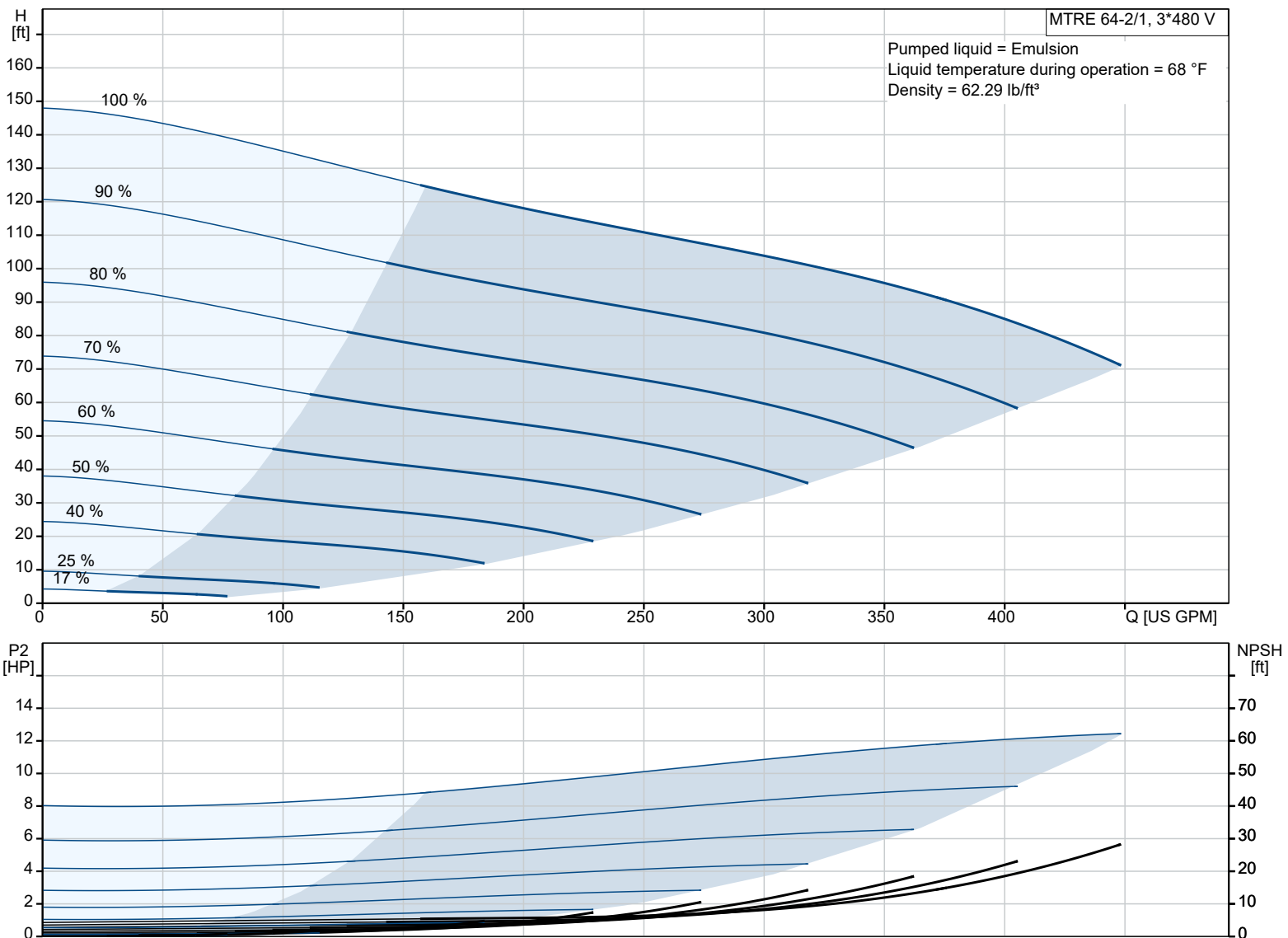


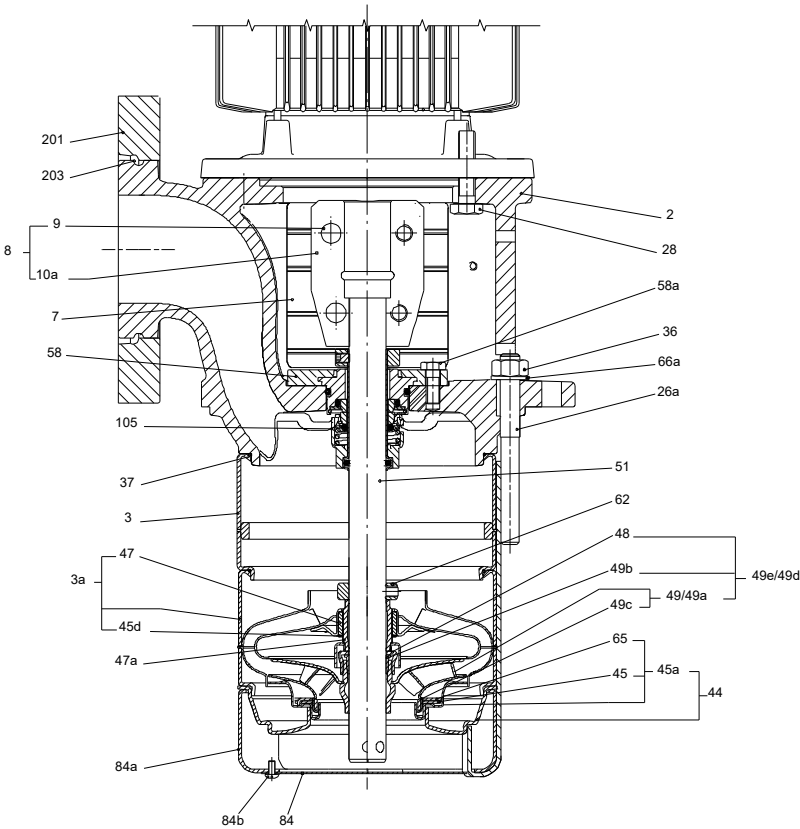
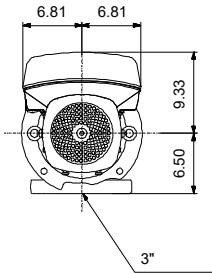
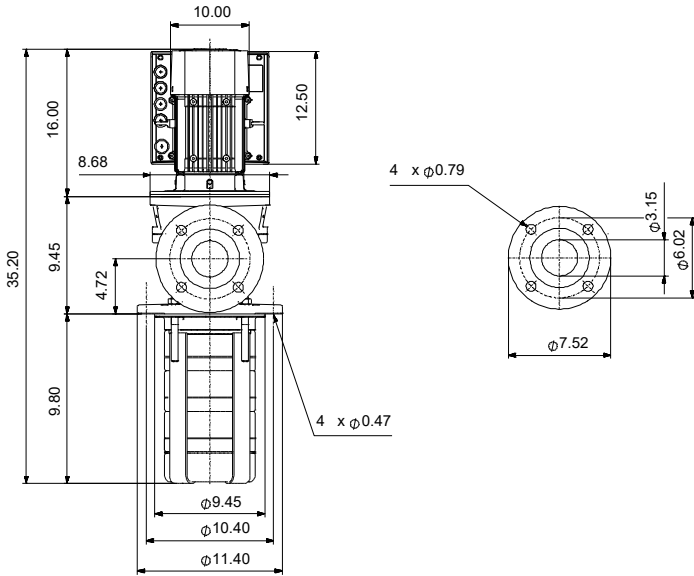
MTRE 64-2/1 A-G-A-HUUV

Vertical multistage centrifugal pump with integrated frequency converter designed for tank top mounting and for pumping of cooling lubricants and cutting oils for machine tools, cooling applications, industrial liquid transfer and similar applications.

Note! Product picture may differ from actual product

| Conditions of Service | | Pump Data | | Motor Data | |
|-----------------------|----------|------------------------------|------------------|-------------------|-----------|
| Efficiency: | % | Max pressure at stated temp: | 363 psi / 194 °F | Rated power - P2: | 15 HP |
| Liquid: | Emulsion | Liquid temperature range: | 14 .. 194 °F | Rated voltage: | 440-480 V |
| Temperature: | 68 °F | Maximum ambient temperature: | 122 °F | Mains frequency: | 60 Hz |
| NPSH required: | ft | Shaft seal: | HUUV | Enclosure class: | IP55 |
| Specific Gravity: | 1.000 | Product number: | 99077608 | Insulation class: | F |
| | | | | Motor protection: | ELEC |
| | | | | Motor type: | 160H |
| | | | | Eta 1/1: | 93.2 % |





Materials:

- Impeller: Stainless steel
- Impeller: AISI 304
- Impeller: EN 1.4301
- Material code: A

Qty. | Description

1 **MTRE 64-2/1 A-G-A-HUUV**



Product No.: [99077608](#)

Multistage, immersible, self-priming, centrifugal pump for vertical installation in tanks etc.

The pump head and base are in cast iron – all other wetted parts are in stainless steel.

The pump has the following characteristics TEST:

- Dimensions according to DIN 5440.
- Impellers, intermediate chambers and spline shaft are made of Stainless steel.
- Mechanical shaft seal according to EN 12756.
- Power transmission via sintered metal split coupling.

A cartridge shaft seal ensures high reliability, safe handling, and easy access and service.

The pump is fitted with a 3-phase, fan-cooled, permanent-magnet, synchronous motor.

The motor includes a frequency converter and PI controller in the motor terminal box. This enables continuously variable control of the motor speed, which again enables adaptation of the performance to a given requirement.

The operating panel on the motor terminal box features a four-inch TFT display, push-buttons and the Grundfos Eye indicator.

The display gives an intuitive and user-friendly interface to all functions.

The push-buttons are used to navigate through the menu structure to access pump and performance data on site and enable setting of required setpoint as well as setting of pump to "Min." or "Max." operation or to "Stop".

The Grundfos Eye indicator on the operating panel provides visual indication of pump status:

- "Power on": Motor is running (rotating green indicator lights) or not running (permanently green indicator lights)
- "Warning": Motor is still running (rotating yellow indicator lights) or has stopped (permanently yellow indicator lights)
- "Alarm": Motor has stopped (flashing red indicator lights).

Communication with the pump is also possible by means of Grundfos GO Remote (accessory). The remote control enables further settings as well as reading out of a number of parameters such as "Actual value", "Speed", "Power input" and total "Power consumption".

The terminal box has a number of inputs and outputs enabling the motor to be used in advanced applications where many inputs and outputs are required:

- two dedicated digital inputs
- three analog inputs, 0(4)-20 mA, 0-5 V, 0-10 V, 0.5 - 3.5 V
- 5 V voltage supply to potentiometer and sensor
- one analog output, 0-10 V, 0(4)-20 mA
- two configurable digital inputs or open-collector outputs
- two Pt100/Pt1000 inputs
- LiqTec, dry-running protection sensor input
- Grundfos Digital Sensor input and output
- 24 V voltage supply for sensors
- two signal-relay outputs (potential-free contacts)
- GENIbus connection
- interface for Grundfos CIM fieldbus module.

Controls:

Frequency converter: Built-in

Liquid:

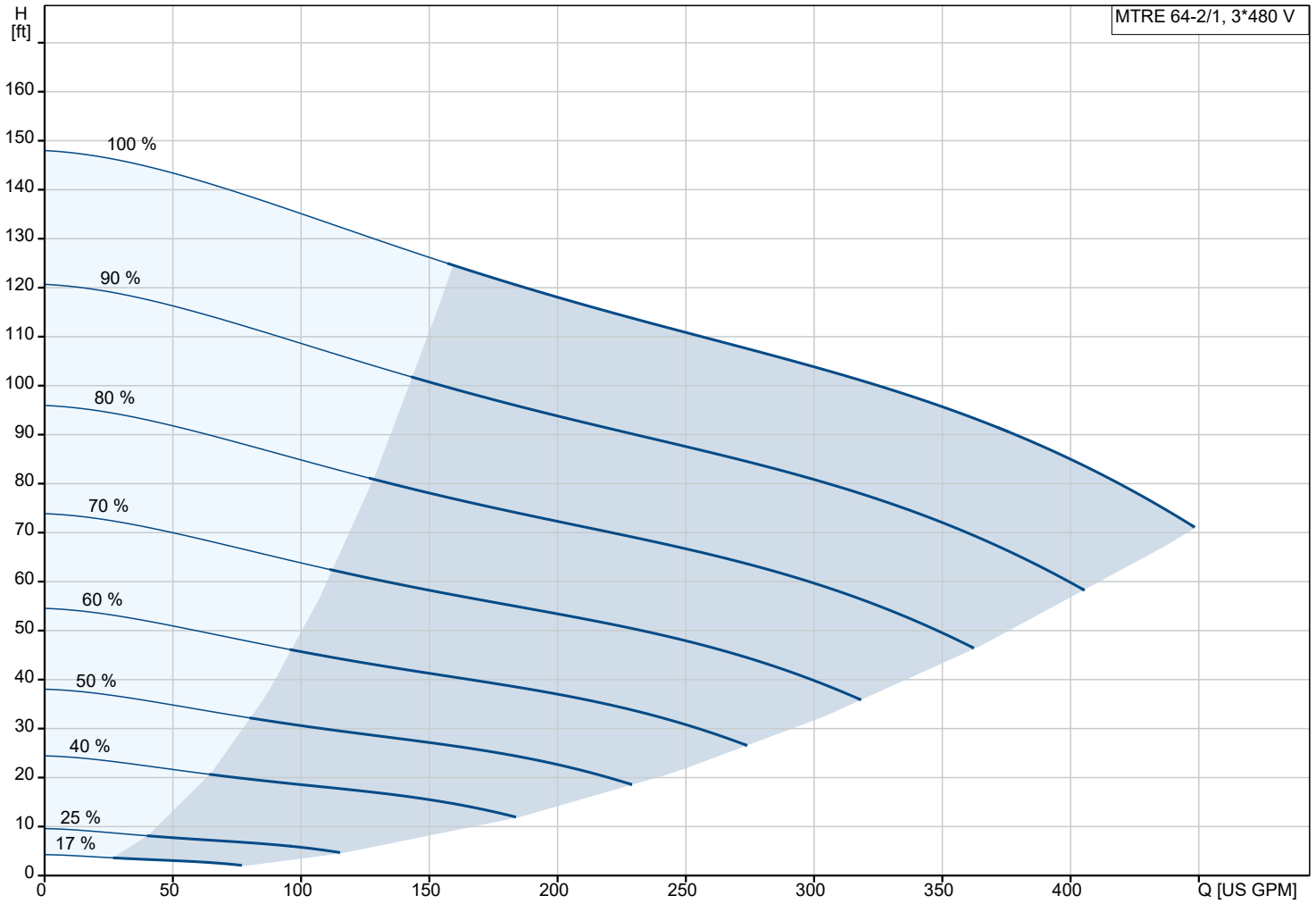
Pumped liquid: Emulsion
 Liquid temperature range: 14 .. 194 °F
 Selected liquid temperature: 68 °F
 Density: 62.29 lb/ft³

Technical:

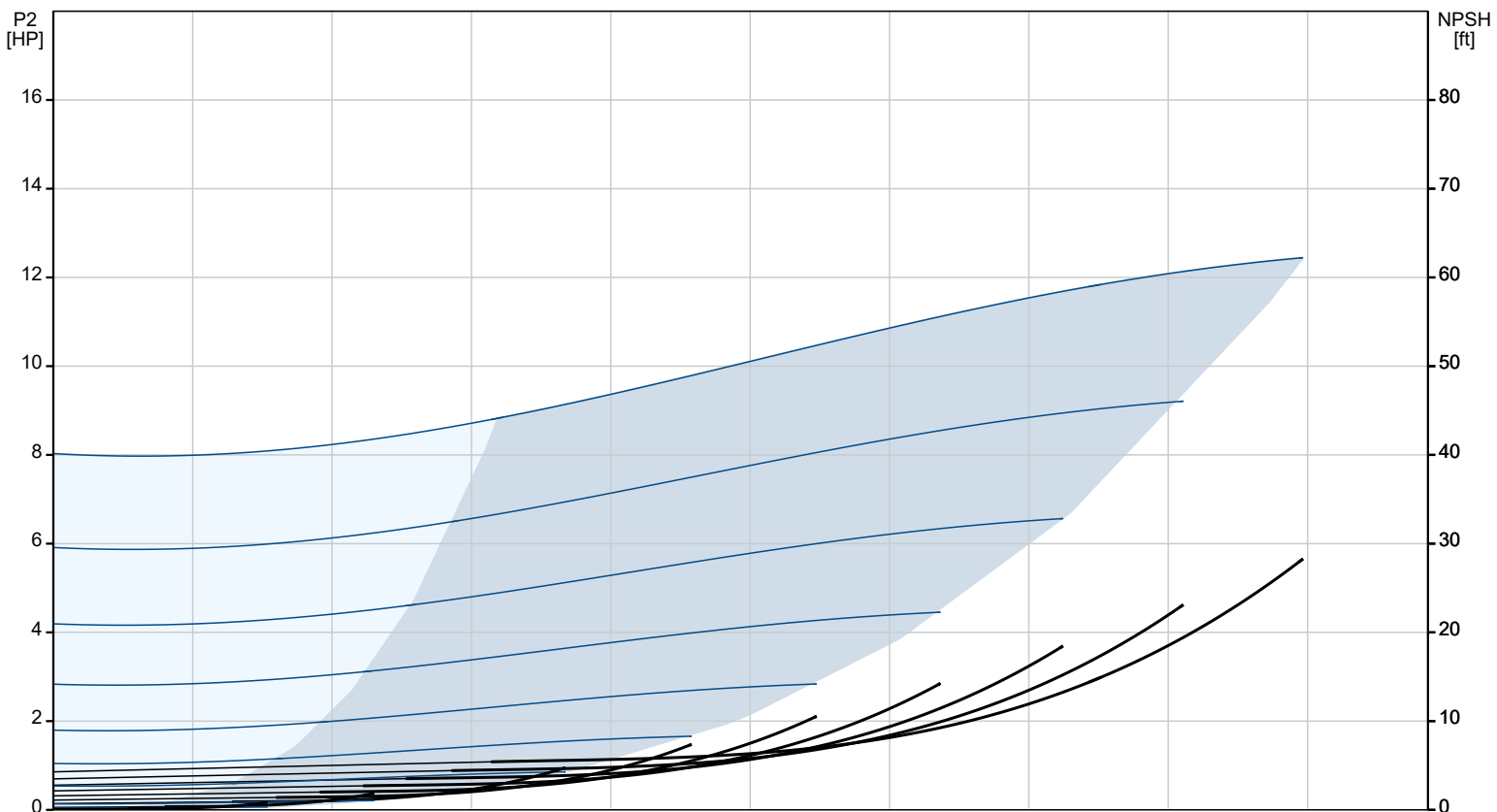
Pump speed on which pump data are based: 3444 rpm
 Rated flow: 339 US GPM
 Rated head: 103.4 ft
 Chambers: 2

| Qty. | Description |
|------|---|
| 1 | <p>Drainage back to tank: N</p> <p>Pump orientation: Vertical</p> <p>Code for shaft seal: HUUUV</p> <p>Approvals: CE</p> <p>Approvals for motor: CE, RCM, cURus, IE5, IES2, UKCA, SEPRO</p> <p>Energy approvals for motor: CE</p> <p>Curve tolerance: ISO9906:2012 3B</p> <p>Cable gland entry: 1 x NPT 3/4" + 5 x NPT 1/2"</p> <p>Materials:</p> <p>Pump head: Cast iron EN 1561 EN-GJL-200 ASTM A48-25B</p> <p>Impeller: Stainless steel EN 1.4301 AISI 304</p> <p>Installation:</p> <p>t max amb: 122 °F</p> <p>Maximum operating pressure: 362.59 psi</p> <p>Max pressure at stated temp: 363 psi / 194 °F</p> <p>Type of connection: ANSI</p> <p>Size of outlet connection: 3 inch</p> <p>Immersion depth: 9.8 in</p> <p>Flange size for motor: 254TC</p> <p>Electrical data:</p> <p>Motor standard: NEMA</p> <p>Motor type: 160H</p> <p>IE Efficiency class: IE5</p> <p>Rated power - P2: 15 HP</p> <p>Mains frequency: 60 Hz</p> <p>Suitable for 50/60 Hz: Y</p> <p>Rated voltage: 3 x 440-480 V</p> <p>Service factor: 1.15</p> <p>Rated current: 17.9-16.6 A</p> <p>Cos phi - power factor: 0.92-0.91</p> <p>Rated speed: 360-4000 rpm</p> <p>Motor efficiency at full load: 93.2 %</p> <p>Enclosure class (IEC 34-5): IP55</p> <p>Insulation class (IEC 85): F</p> <p>Motor No: 99256777</p> <p>Cable gland entry: 1 x NPT 3/4" + 5 x NPT 1/2"</p> <p>Others:</p> <p>Terminal box position: 6</p> <p>Minimum efficiency index, MEI ≥: 0.70</p> <p>Net weight: 244 lb</p> <p>Gross weight: 308 lb</p> <p>Shipping volume: 16.9 ft³</p> <p>Country of origin: US</p> <p>Custom tariff no.: 8413.70.2040</p> |

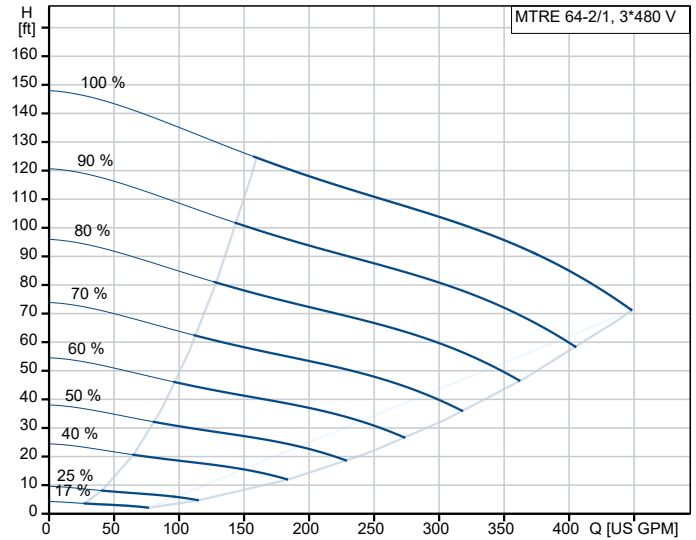
99077608 MTRE 64-2/1 A-G-A-HUUUV 60 Hz



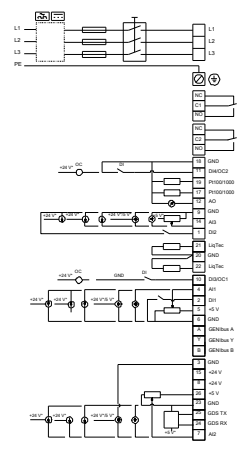
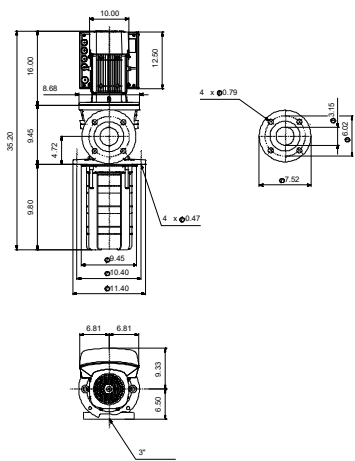
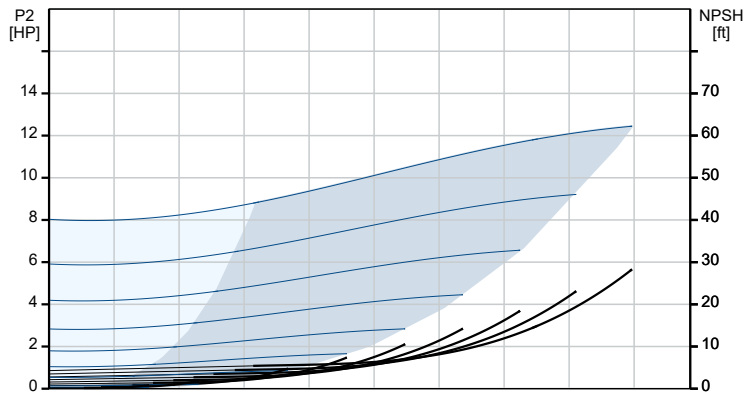
Pumped liquid = Emulsion
 Liquid temperature during operation = 68 °F
 Density = 62.29 lb/ft³



| Description | Value |
|--|--|
| General information: | |
| Product name: | MTRE 64-2/1 A-G-A-HUUV |
| Product No: | 99077608 |
| EAN number: | 5712606312238 |
| Technical: | |
| Pump speed on which pump data are based: | 3444 rpm |
| Rated flow: | 339 US GPM |
| Rated head: | 103.4 ft |
| Chambers: | 2 |
| Impellers: | 1 |
| Number of reduced-diameter impellers: | 0 |
| Drainage back to tank: N | |
| Pump orientation: | Vertical |
| Code for shaft seal: | HUUV |
| Approvals: | CE |
| Approvals for motor: | CE, RCM, cURus, IE5, IES2, UKCA, SEPRO |
| Energy approvals for motor: | CE |
| Curve tolerance: | ISO9906:2012 3B |
| Pump version: | A |
| Model: | B |
| Cable gland entry: | 1 x NPT 3/4" + 5 x NPT 1/2" |
| Materials: | |
| Pump head: | Cast iron |
| Pump head: | EN 1561 EN-GJL-200 |
| Pump head: | ASTM A48-25B |
| Impeller: | Stainless steel |
| Impeller: | EN 1.4301 |
| Impeller: | AISI 304 |
| Material code: | A |
| Installation: | |
| t max amb: | 122 °F |
| Maximum operating pressure: | 362.59 psi |
| Max pressure at stated temp: | 363 psi / 194 °F |
| Type of connection: | ANSI |
| Size of outlet connection: | 3 inch |
| Immersion depth: | 9.8 in |
| Flange size for motor: | 254TC |
| Connect code: | G |
| Liquid: | |
| Pumped liquid: | Emulsion |
| Liquid temperature range: | 14 .. 194 °F |
| Selected liquid temperature: | 68 °F |
| Density: | 62.29 lb/ft³ |
| Electrical data: | |
| Motor standard: | NEMA |
| Motor type: | 160H |
| IE Efficiency class: | IE5 |
| Rated power - P2: | 15 HP |
| Mains frequency: | 60 Hz |
| Suitable for 50/60 Hz: | Y |
| Rated voltage: | 3 x 440-480 V |
| Service factor: | 1.15 |
| Rated current: | 17.9-16.6 A |
| Cos phi - power factor: | 0.92-0.91 |
| Rated speed: | 360-4000 rpm |
| Motor efficiency at full load: | 93.2 % |
| Enclosure class (IEC 34-5): | IP55 |
| Insulation class (IEC 85): | F |
| Built-in motor protection: | ELEC |
| Motor No: | 99256777 |
| Cable gland entry: | 1 x NPT 3/4" + 5 x NPT 1/2" |
| Controls: | |
| Control panel: | Graphical |



Pumped liquid = Emulsion
 Liquid temperature during operation = 68 °F
 Density = 62.29 lb/ft³





Company name:

Created by:

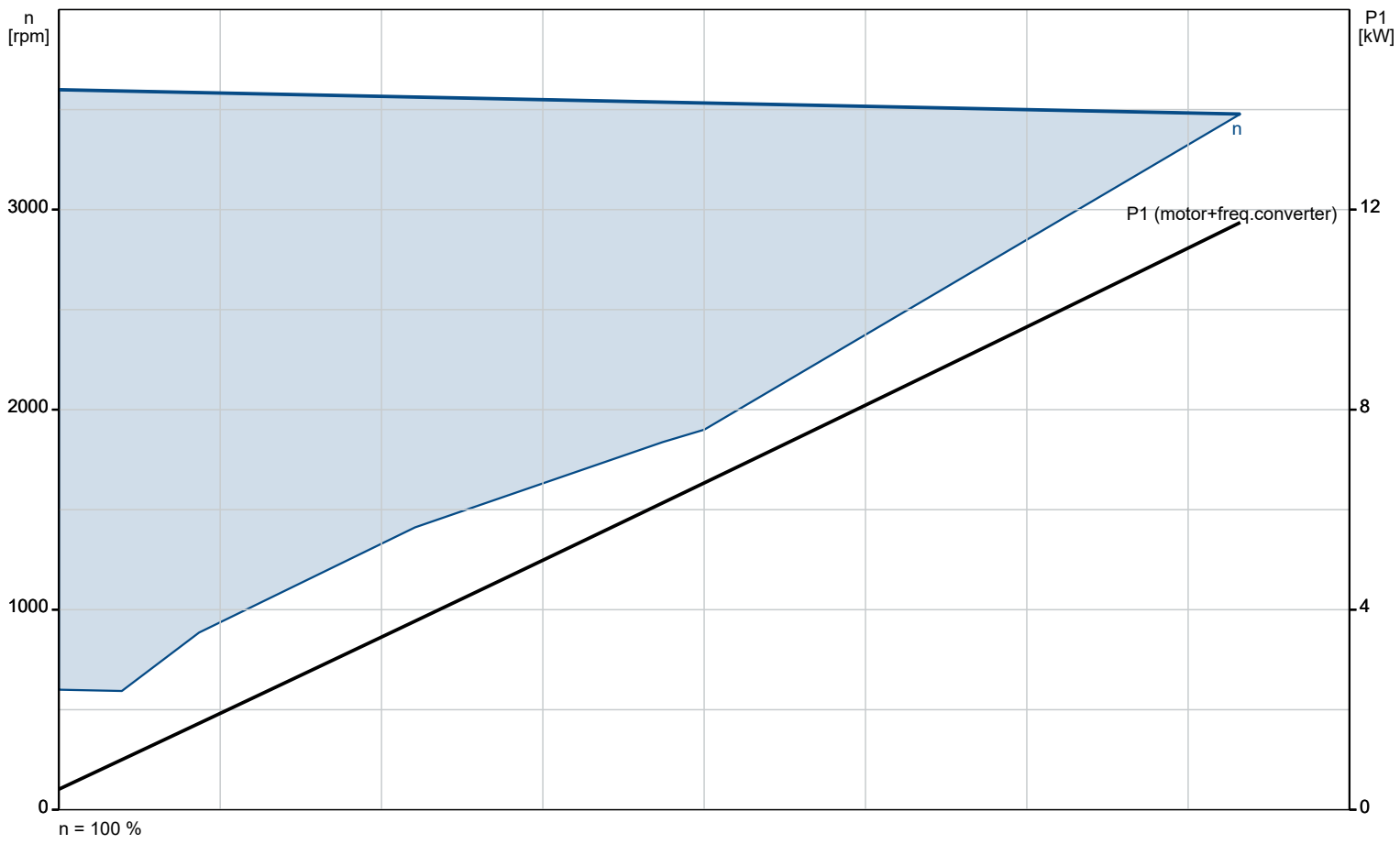
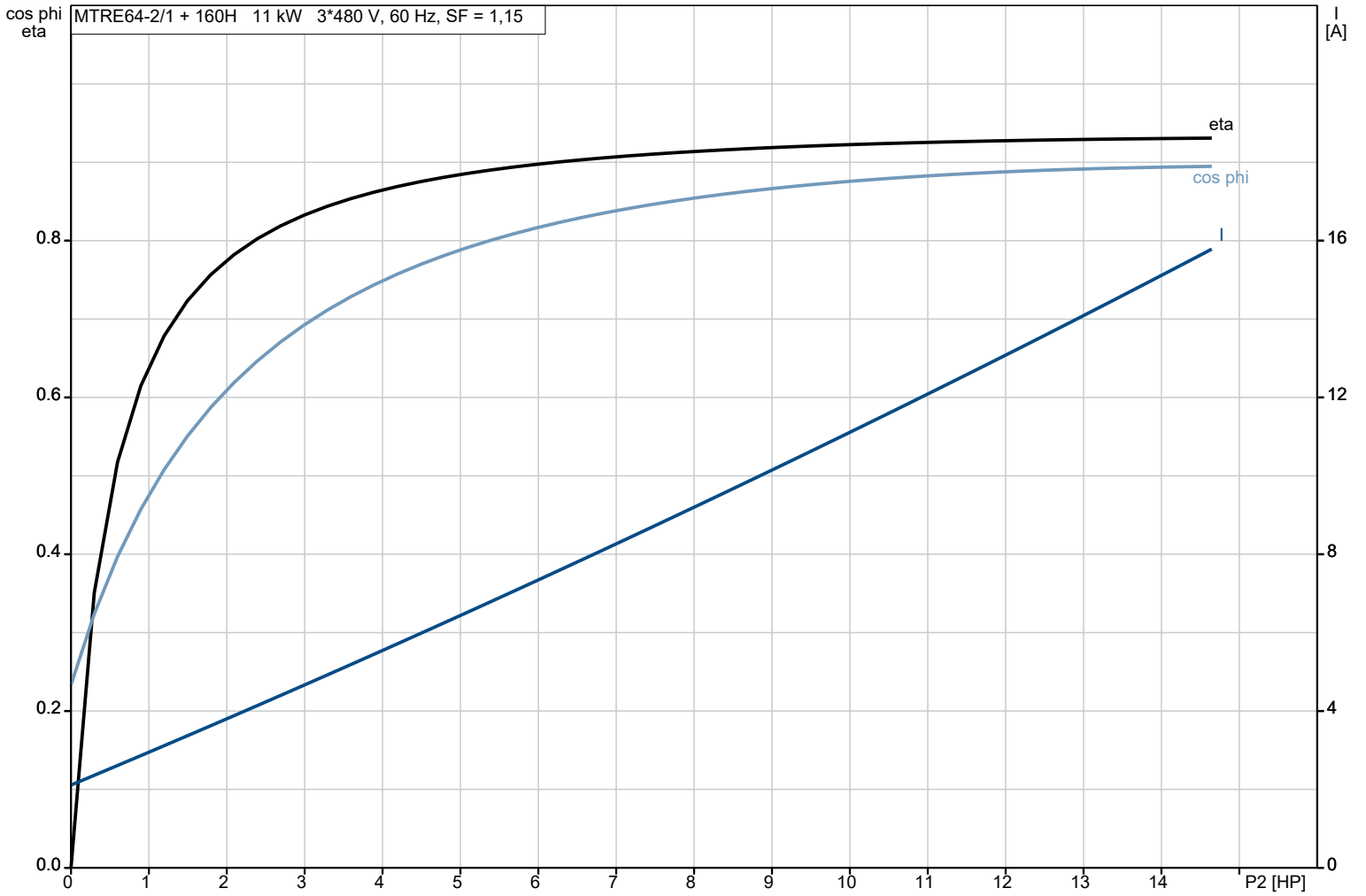
Phone:

Date:

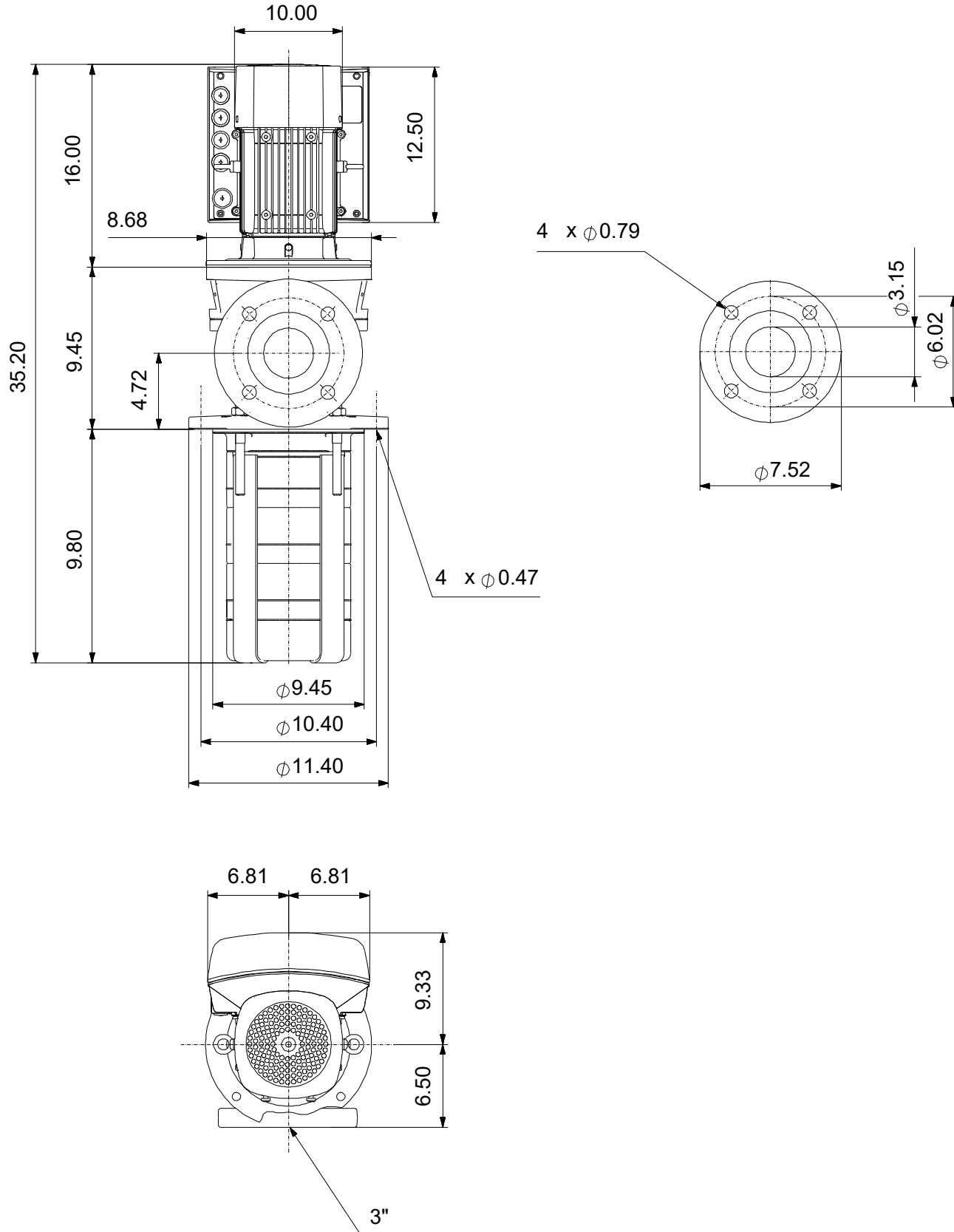
20/02/2023

| Description | Value |
|----------------------------------|----------------------|
| Function Module: | FM300 - Advanced |
| Frequency converter: | Built-in |
| Others: | |
| Terminal box position: | 6 |
| Minimum efficiency index, MEI ≥: | 0.70 |
| Net weight: | 244 lb |
| Gross weight: | 308 lb |
| Shipping volume: | 16.9 ft ³ |
| Country of origin: | US |
| Custom tariff no.: | 8413.70.2040 |

99077608 MTRE 64-2/1 A-G-A-HUUV 60 Hz



99077608 MTRE 64-2/1 A-G-A-HUUV 60 Hz



99077608 MTRE 64-2/1 A-G-A-HUUV 60 Hz

