

PROJECT: _____	UNIT TAG: _____	QUANTITY: _____
REPRESENTATIVE: _____	TYPE OF SERVICE: _____	DATE: _____
ENGINEER: _____	SUBMITTED BY: _____	DATE: _____
CONTRACTOR: _____	APPROVED BY: _____	DATE: _____
	ORDER NO.: _____	DATE: _____

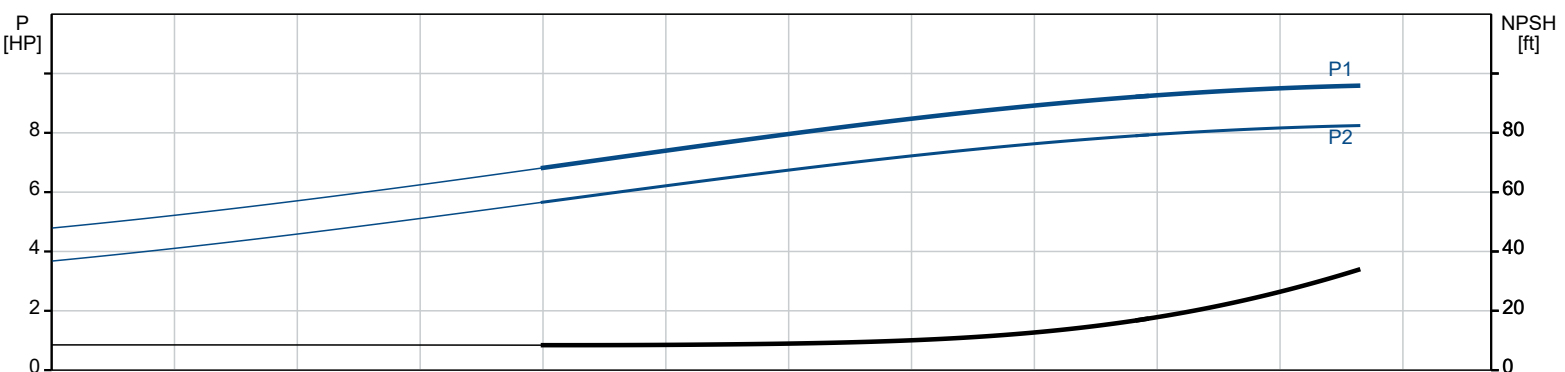
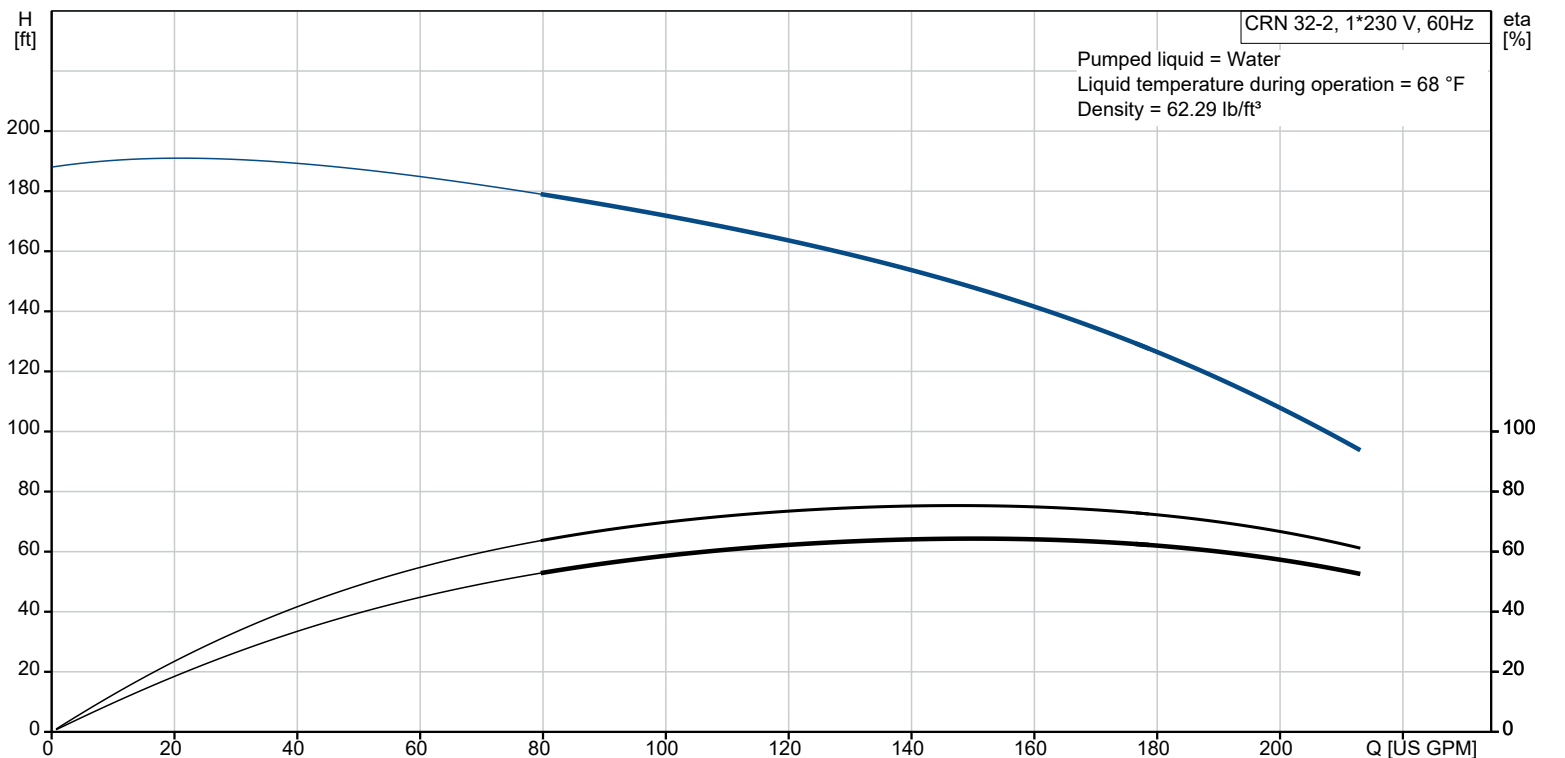


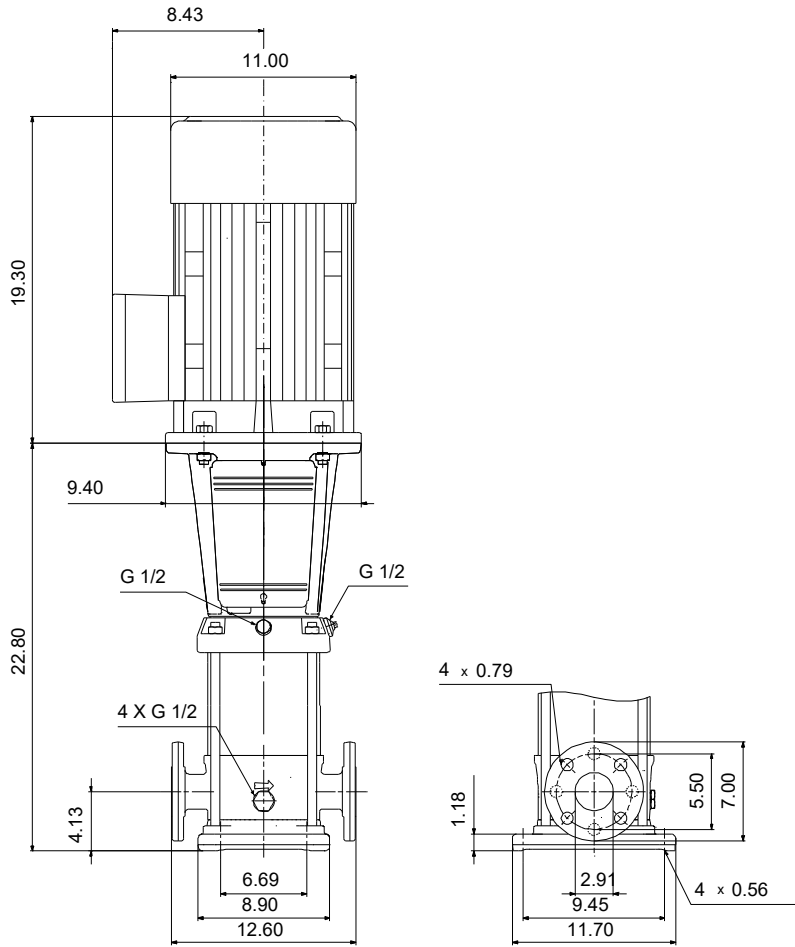
## CRN 32-2 A-G-A-V-HQQV

Vertical, multistage centrifugal pump with suction and discharge ports on the same level. Pump materials in contact with the liquid are in high-grade stainless steel (EN 1.4401)

Note! Product picture may differ from actual product

Conditions of Service		Pump Data		Motor Data	
Liquid:	Water	Max pressure at stated temp:	232 psi / 194 °F	Rated power - P2:	10 HP
Temperature:	68 °F	Liquid temperature range:	-4 .. 194 °F	Rated voltage:	208-230 V
Specific Gravity:	1.000	Maximum ambient temperature:	104 °F	Mains frequency:	60 Hz
		Shaft seal:	HQQV	Enclosure class:	IP55
		Product number:	99918028	Insulation class:	F
				Motor protection:	NONE
				Motor type:	WEG
				Eta 1/1:	86.5 %





**Materials:**

Base: Stainless steel  
 Base: EN 1.4408  
 Base: AISI 316  
 Impeller: Stainless steel  
 Impeller: AISI 316  
 Impeller: EN 1.4401  
 Material code: A  
 Code for rubber: V

Qty.	Description
------	-------------

1 CRN 32-2 A-G-A-V-HQQV



Product No.: [99918028](#)

Vertical, multistage centrifugal pump with inlet and outlet ports on same the level (inline). Pump materials in contact with the liquid are in high-grade stainless steel. A cartridge shaft seal ensures high reliability, safe handling, and easy access and service. Power transmission is via a rigid split coupling. Pipe connection is via ANSI flanges.

The pump is fitted with a 1-phase, fan-cooled asynchronous motor.

### Further product details

Steel, cast iron and aluminium components have an epoxy-based coating made in a cathodic electro-deposition (CED) process. CED is a high-quality dip-painting process where an electrical field around the products ensures deposition of paint particles as a thin, well-controlled layer on the surface.

An integral part of the process is a pretreatment.

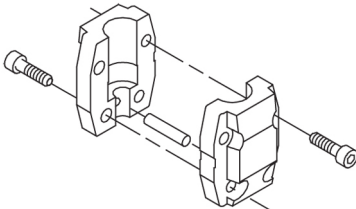
The entire process consists of these elements:

- 1) Alkaline-based cleaning.
- 2) Zinc phosphating.
- 3) Cathodic electro-deposition.
- 4) Curing to a dry film thickness 18-22 my m.

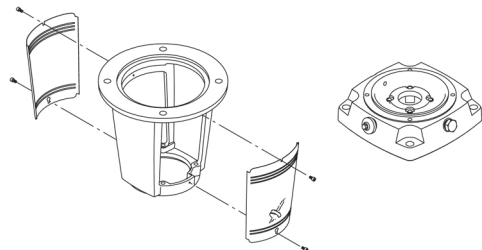
The colour code for the finished product is NCS 9000/RAL 9005.

### Pump

A standard split coupling connects the pump and motor shaft. It is enclosed in the pump head/motor stool by means of two coupling guards.



The motor stool connects the pump head and motor. The pump head has a combined 1/2" priming plug and vent screw.



The pump is fitted with a balanced O-ring seal unit with a rigid torque-transmission system.

This seal type is assembled in a cartridge unit which makes replacement safe and easy.

Due to the balancing, this seal type is suitable for high-pressure applications.

The cartridge construction also protects the pump shaft from possible wear from a dynamic O-ring between pump shaft and shaft seal.

Seal faces:

- Rotating seal ring material: silicon carbide (SiC)
- Stationary seat material: silicon carbide (SiC)

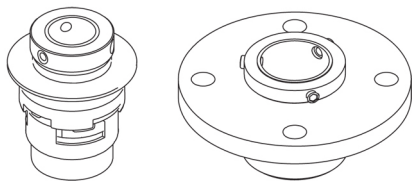
This material pairing is used where higher corrosion resistance is required. The high hardness of this material pairing offers good resistance against abrasive particles.

Secondary seal material: FKM (fluorocarbon rubber)

FKM has excellent resistance to oils and chemicals. Above 90 °C, FKM should only be used in media without water.

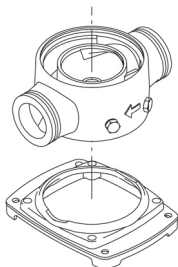
Qty.	Description
------	-------------

1



The shaft seal is retained in the pump head by a cover and screws. It can be replaced without removing the motor.  
The chambers and impellers are made of stainless-steel sheet. The chambers are provided with a PTFE neck ring offering improved sealing and high efficiency. The impellers have smooth surfaces, and the shape of the blades ensure a high efficiency.

The pump has a stainless-steel base mounted on a separate base plate.  
The base and base plate are kept in position by the tension of the staybolts which hold the pump together.  
Both the inlet and the outlet side of the base have two pressure gauge tappings.  
The pump is secured to the foundation by four bolts through the base plate.  
The flanges are fastened to the base by means of locking rings.



## Motor

The motor is a totally enclosed, fan-cooled motor with principal dimensions to IEC and DIN standards. The motor is flange-mounted with free-hole flange (FF).

Motor-mounting designation in accordance with IEC 60034-7: IM B 5 (Code I) / IM 3001 (Code II).

Electrical tolerances comply with IEC 60034.

The motor does not incorporate motor protection and must be connected to a motor-protective circuit breaker which can be manually reset. The motor-protective circuit breaker must be set according to the rated current of the motor (I<sub>1</sub>/1).

The motor has built-in thermal protection (PTO current and temperature sensors) in accordance with IEC 60034-11 and requires no further motor protection. The protection reacts to both slow- and quick-rising temperatures, e.g. constant overload and stalled conditions.

As the thermal protection incorporates automatic reset, the motor must be connected in a way which ensures that the automatic reset cannot cause accidents.

## Technical data

Liquid:

Pumped liquid: Water  
Liquid temperature range: -4 .. 194 °F  
Selected liquid temperature: 68 °F  
Density: 62.29 lb/ft<sup>3</sup>

Technical:

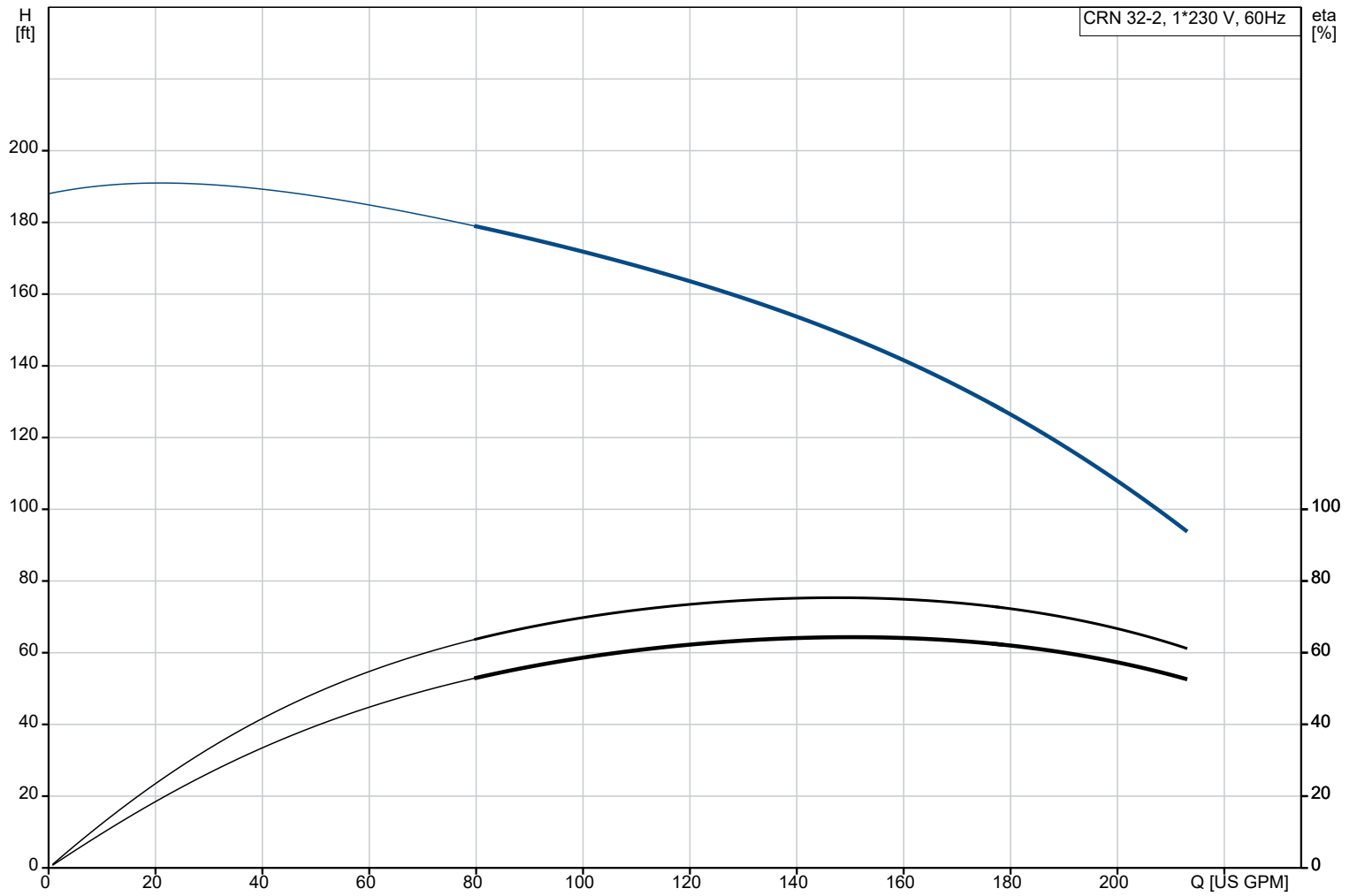
Pump speed on which pump data are based: 3508 rpm  
Rated flow: 159 US GPM  
Rated head: 141.4 ft  
Actual impeller diameter: 4.66 in  
Pump orientation: Vertical  
Shaft seal arrangement: Single  
Code for shaft seal: HQQV  
Approvals: CURUS  
Curve tolerance: ISO9906:2012 3B

Materials:

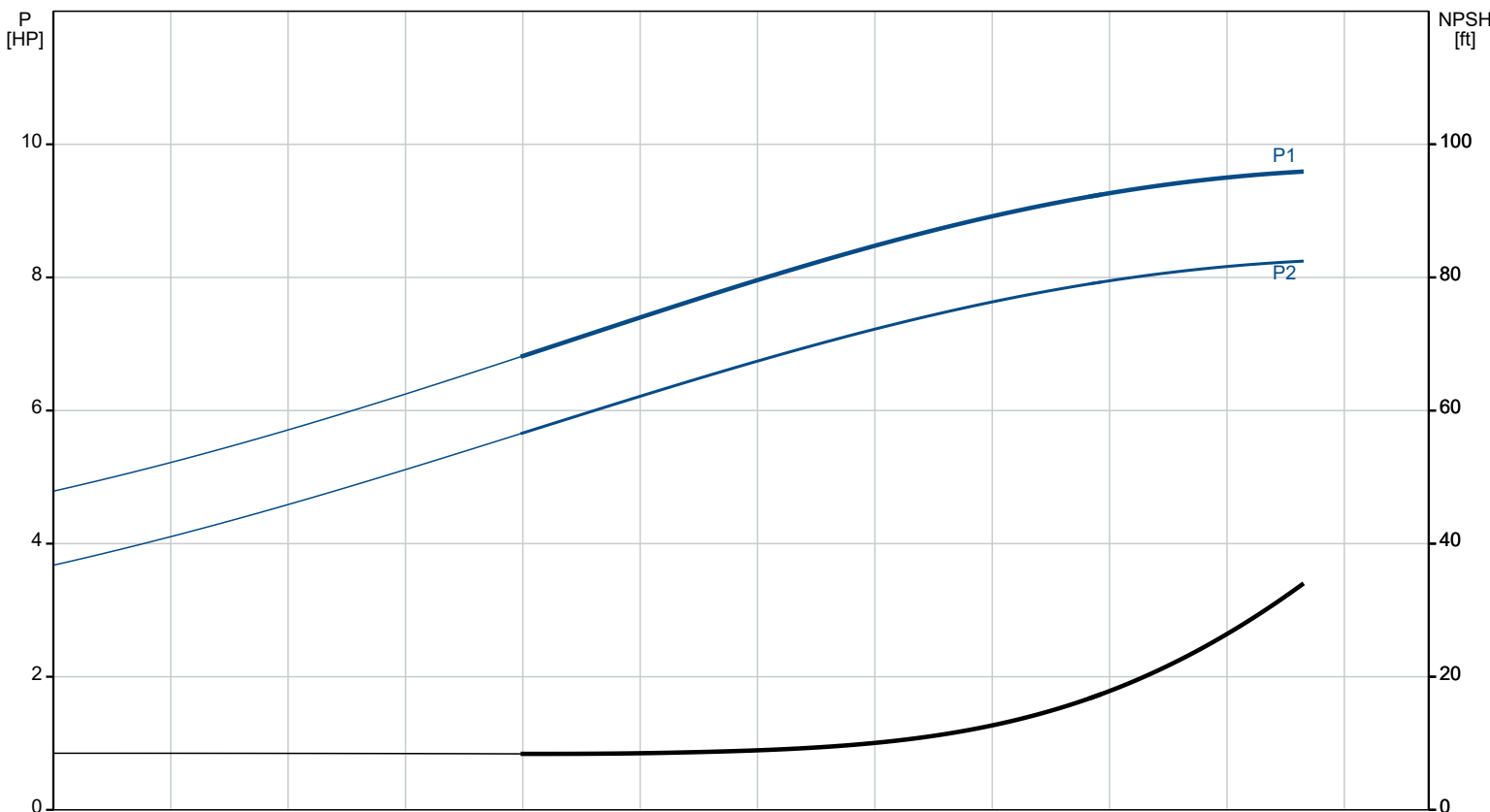
Base: Stainless steel  
EN 1.4408  
AISI 316  
Impeller: Stainless steel  
EN 1.4401  
AISI 316

Qty.	Description
1	<p>Bearing: SIC Support bearing: Graflon</p> <p>Installation: t max amb: 104 °F Maximum operating pressure: 232.06 psi Max pressure at stated temp: 232 psi / 194 °F 232 psi / -4 °F</p> <p>Type of connection: ANSI Size of inlet connection: 2 1/2 inch Size of outlet connection: 2 1/2 inch Pressure rating for connection: PN 16 Flange rating inlet: 150 lb Flange size for motor: 213TC</p> <p>Electrical data: Motor standard: NEMA Motor type: WEG Rated power - P2: 10 HP Power (P2) required by pump: 10 HP Mains frequency: 60 Hz Rated voltage: 1 x 208-230 V Service factor: 1.15 Rated current: 42.5-38.1 A Starting current: 720-720 % Cos phi - power factor: 0.99 Rated speed: 3510 rpm IE efficiency: 86.5 % Motor efficiency at full load: 86.5 % Motor efficiency at 3/4 load: 85.5 % Motor efficiency at 1/2 load: 81.5 % Number of poles: 2 Enclosure class (IEC 34-5): IP55 Insulation class (IEC 85): F Motor No: 99883306</p> <p>Controls: Frequency converter: NONE</p> <p>Others: DOE Pump Energy Index CL: 0.87 Net weight: 282 lb Gross weight: 300 lb Shipping volume: 10.9 ft³ Country of origin: US Custom tariff no.: 8413.70.2040</p>

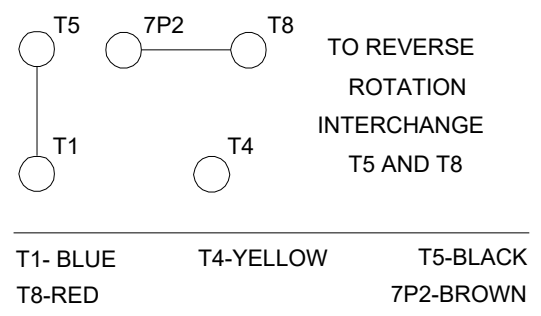
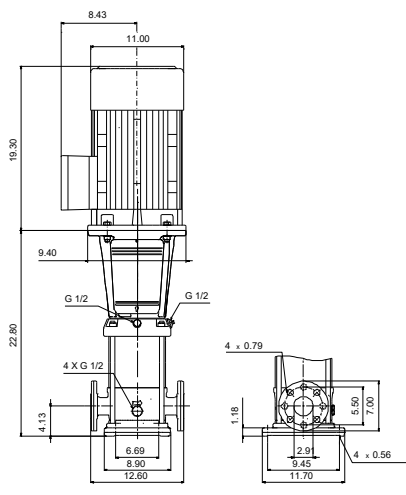
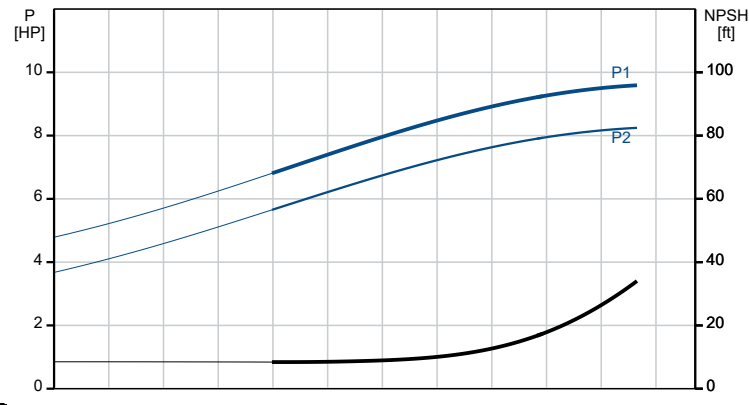
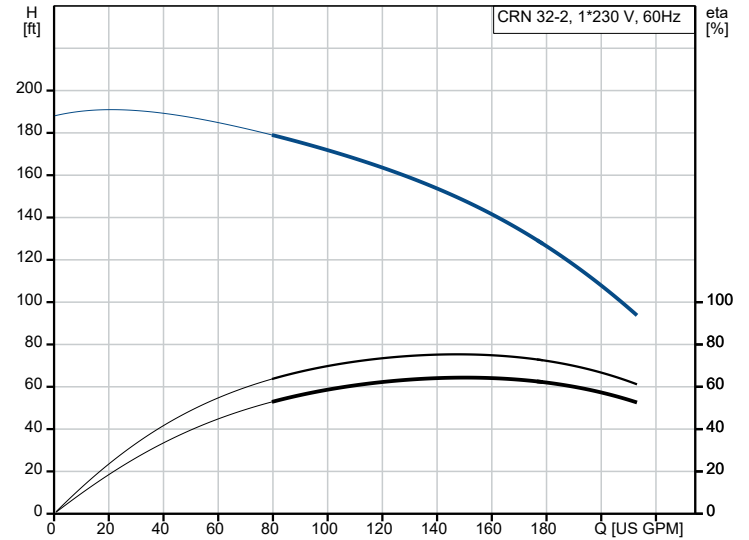
## 99918028 CRN 32-2 A-G-A-V-HQQV 60 Hz



Pumped liquid = Water  
 Liquid temperature during operation = 68 °F  
 Density = 62.29 lb/ft³



Description	Value
<b>General information:</b>	
Product name:	CRN 32-2 A-G-A-V-HQQV
Product No:	99918028
EAN number:	5715114128803
<b>Technical:</b>	
Pump speed on which pump data are based:	3508 rpm
Rated flow:	159 US GPM
Rated head:	141.4 ft
Maximum head:	187.7 ft
Actual impeller diameter:	4.66 in
Stages:	2
Impellers:	2
Number of reduced-diameter impellers:	0
Low NPSH:	N
Pump orientation:	Vertical
Shaft seal arrangement:	Single
Code for shaft seal:	HQQV
Approvals:	CURUS
Curve tolerance:	ISO9906:2012 3B
Pump version:	A
Model:	B
Cooling:	IC 411
<b>Materials:</b>	
Base:	Stainless steel
Base:	EN 1.4408
Base:	AISI 316
Impeller:	Stainless steel
Impeller:	EN 1.4401
Impeller:	AISI 316
Material code:	A
Code for rubber:	V
Bearing:	SIC
Support bearing:	Graflon
<b>Installation:</b>	
t max amb:	104 °F
Maximum operating pressure:	232.06 psi
Max pressure at stated temp:	232 psi / 194 °F
Max pressure at stated temp:	232 psi / -4 °F
Type of connection:	ANSI
Size of inlet connection:	2 1/2 inch
Size of outlet connection:	2 1/2 inch
Pressure rating for connection:	PN 16
Flange rating inlet:	150 lb
Flange size for motor:	213TC
Connect code:	G
<b>Liquid:</b>	
Pumped liquid:	Water
Liquid temperature range:	-4 .. 194 °F
Selected liquid temperature:	68 °F
Density:	62.29 lb/ft <sup>3</sup>
<b>Electrical data:</b>	
Motor standard:	NEMA
Motor type:	WEG
Rated power - P2:	10 HP
Power (P2) required by pump:	10 HP
Mains frequency:	60 Hz
Rated voltage:	1 x 208-230 V
Service factor:	1.15
Rated current:	42.5-38.1 A
Starting current:	720-720 %
Full load SF current:	42.5/43.8 A
Cos phi - power factor:	0.99
Rated speed:	3510 rpm
IE efficiency:	86.5%
Motor efficiency at full load:	86.5 %





**Company name:**

**Created by:**

**Phone:**

**Date:**

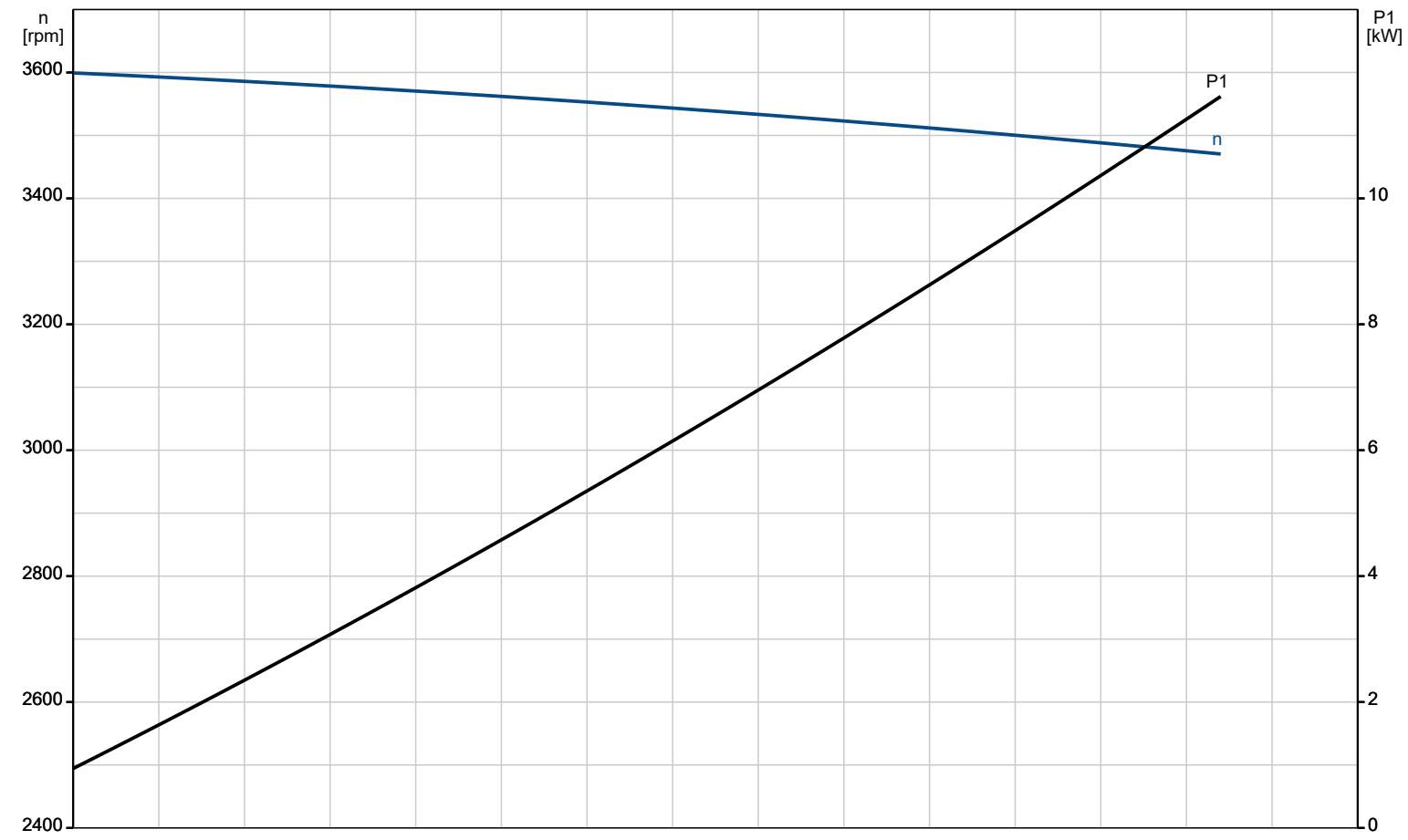
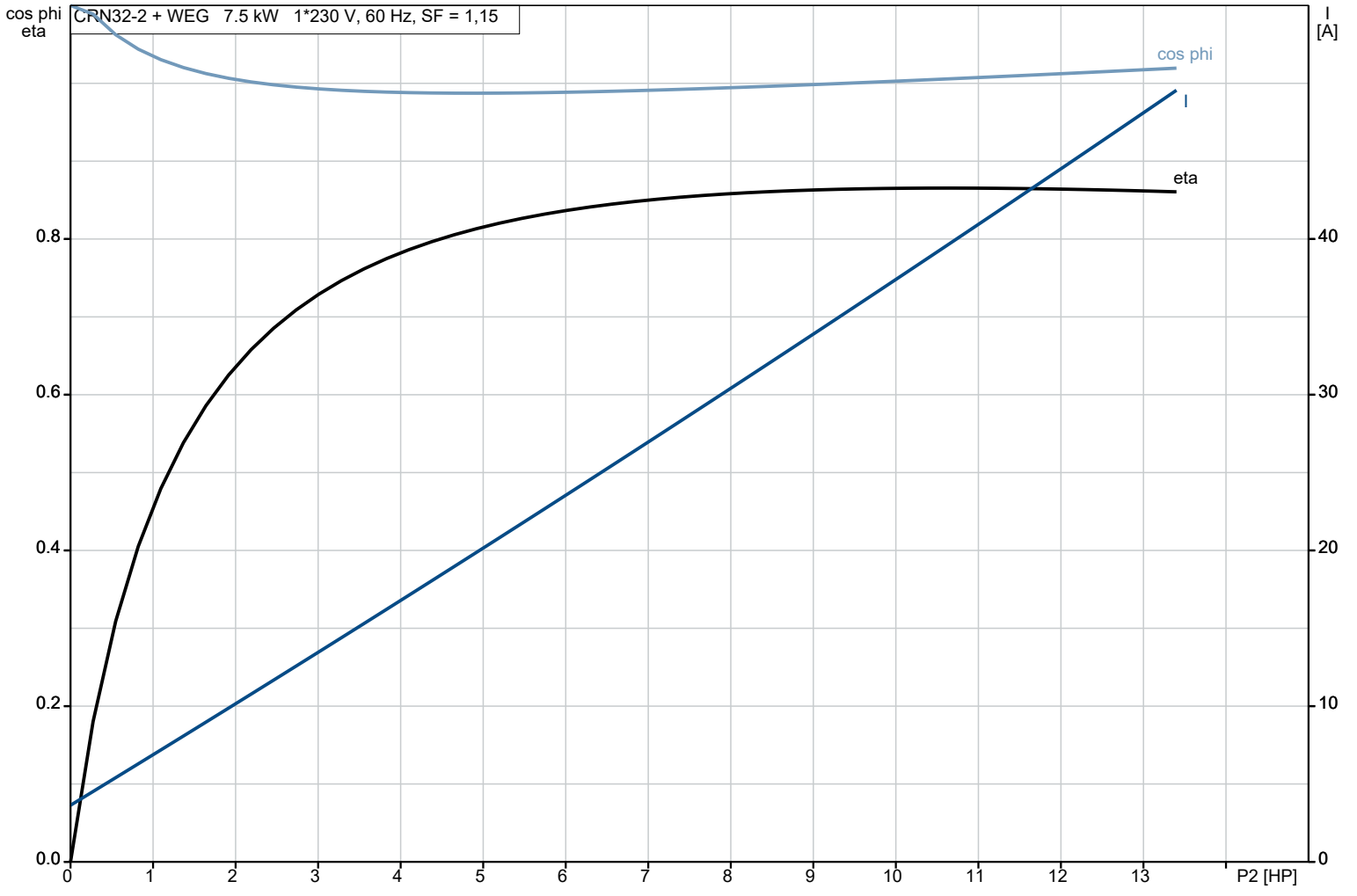
22/03/2023

Description	Value
Motor efficiency at 3/4 load:	85.5 %
Motor efficiency at 1/2 load:	81.5 %
Number of poles:	2
Enclosure class (IEC 34-5):	IP55
Insulation class (IEC 85):	F
Built-in motor protection:	NONE
Motor No:	99883306
<b>Controls:</b>	
Frequency converter:	NONE
<b>Others:</b>	
DOE Pump Energy Index CL:	0.87
Net weight:	282 lb
Gross weight:	300 lb
Shipping volume:	10.9 ft <sup>3</sup>
Country of origin:	US
Custom tariff no.:	8413.70.2040

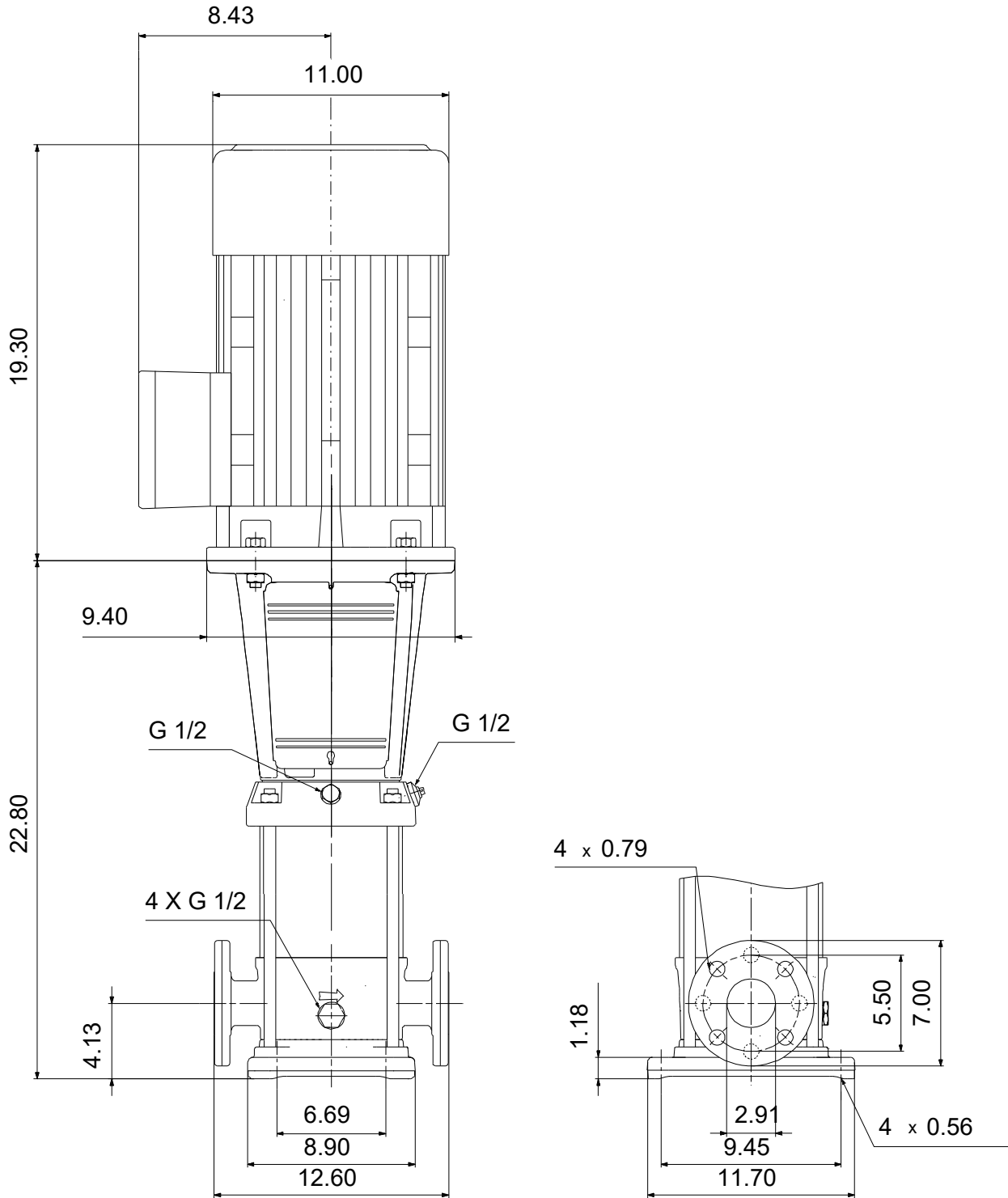


## 99918028 CRN 32-2 A-G-A-V-HQQV 60 Hz

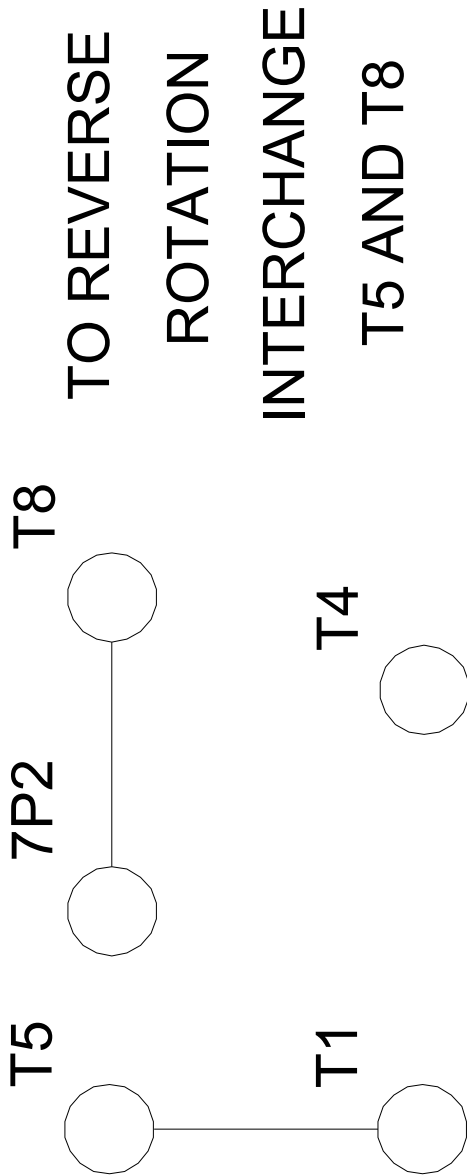
CRN32-2 + WEG 7.5 kW 1\*230 V, 60 Hz, SF = 1,15



## 99918028 CRN 32-2 A-G-A-V-HQQV 60 Hz



99918028 CRN 32-2 A-G-A-V-HQQV 60 Hz



---

T1- BLUE	T4-YELLOW	T5-BLACK
T8-RED		7P2-BROWN



Company name:  
Created by:  
Phone:

Date: 22/03/2023

**Order Data:**

Position	Your pos.	Product name	Amount	Product No	Total
		CRN 32-2	1	99918028	Price on request