

PROJECT: _____	UNIT TAG: _____	QUANTITY: _____
REPRESENTATIVE: _____	TYPE OF SERVICE: _____	DATE: _____
ENGINEER: _____	SUBMITTED BY: _____	DATE: _____
CONTRACTOR: _____	APPROVED BY: _____	DATE: _____
	ORDER NO.: _____	DATE: _____

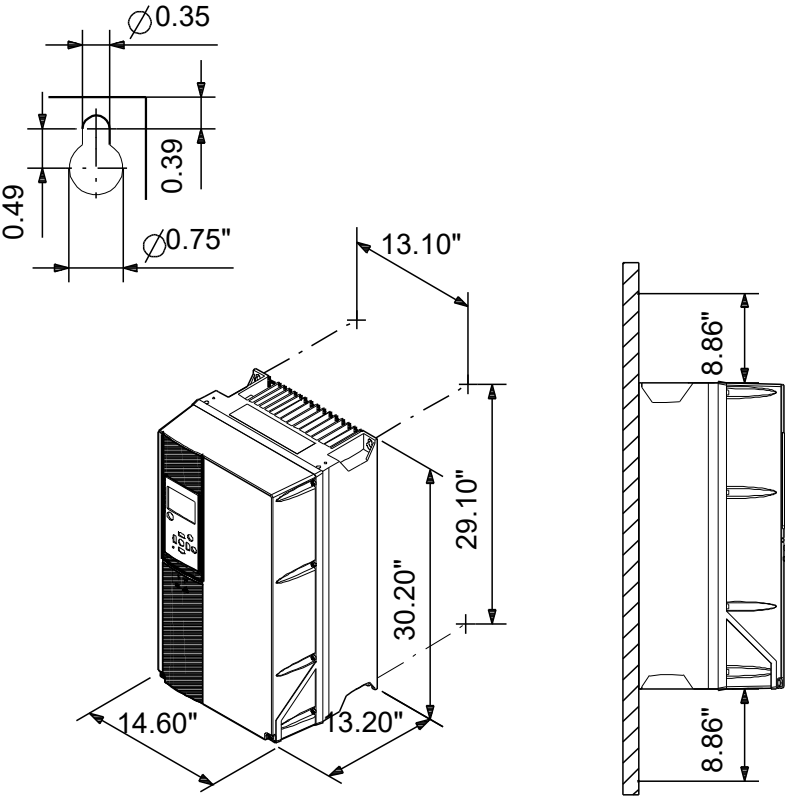


## CUE 3X380-500V IP66 75KW DC

CUE

Note! Product picture may differ from actual product

Conditions of Service	Pump Data	Motor Data														
	<table style="width: 100%; border-collapse: collapse;"> <tr> <td style="width: 50%;">Maximum ambient temperature:</td> <td style="width: 50%;">113 °F</td> </tr> <tr> <td>Approvals:</td> <td>CE, CULUS, C-TICK</td> </tr> <tr> <td>Product number:</td> <td>99619054</td> </tr> </table>	Maximum ambient temperature:	113 °F	Approvals:	CE, CULUS, C-TICK	Product number:	99619054	<table style="width: 100%; border-collapse: collapse;"> <tr> <td style="width: 50%;">Mains frequency:</td> <td style="width: 50%;">50 / 60 Hz</td> </tr> <tr> <td>Enclosure class:</td> <td>IP66</td> </tr> <tr> <td>Motor protection:</td> <td>YES</td> </tr> <tr> <td>Thermal protection:</td> <td>external</td> </tr> </table>	Mains frequency:	50 / 60 Hz	Enclosure class:	IP66	Motor protection:	YES	Thermal protection:	external
Maximum ambient temperature:	113 °F															
Approvals:	CE, CULUS, C-TICK															
Product number:	99619054															
Mains frequency:	50 / 60 Hz															
Enclosure class:	IP66															
Motor protection:	YES															
Thermal protection:	external															



**Materials:**

Qty.	Description
------	-------------

1 CUE 3X380-500V IP66 75KW DC



Note! Product picture may differ from actual product

Product No.: [99619054](#)

CUE is a complete range of external frequency converters designed for speed control of a wide range of Grundfos pumps. CUE has a built-in PI controller and offers the same functionality and user-interface as Grundfos E-pumps. CUE solutions can thus be seen as an extension to the E-pump range.

By choosing a CUE-solution, you will get the following benefits:

- Grundfos E-pump functionality and user-interface
- application- and pump-family-related functions
- increased comfort compared to fixed-speed pumps
- very easy installation and commissioning compared to standard frequency converters
- speed control of pumps up to 250 kW
- speed control of pumps installed in potentially explosive environments.

CUE offers the following inputs and output:

- RS-485 GENIbus
- an analog 0-10 V input for external setpoint
- an analog 0/4-20 mA input for sensor
- four digital inputs for various functions, for instance external start/stop
- two signal relays (C/NO/NC).

Accessories:

Input/output add-on board

Provides additional input:

- one 0/4-20 mA analog input for an additional sensor
- one 0-20 mA analog output
- two inputs for Pt100/Pt1000 temperature sensors, for instance for bearing monitoring.

Motor filters:

For reduction of dU/dt and peak voltages to the motor windings and for reduction of the acoustic noise generated in the motor, a number of motor filters are offered:

- dU/dt filters , 11-250 kW
- Sine wave filters, 0.55-250 kW.

Technical:

Approvals: CE, CULUS, C-TICK

Installation:

Range of ambient temperature: 32 .. 113 °F

Relative humidity: 5-95 %

Electrical data:

Rated power - P2: 100 HP  
 Mains frequency: 50 / 60 Hz  
 Rated voltage: 3 x 380-440/441-500 V  
 Rated current: 147-130 A  
 Maximum current consumption: 147 A  
 Efficiency at full load: 98 %  
 Enclosure class (IEC 34-5): IP66

Others:



Company name: Specs

Created by:

Phone:

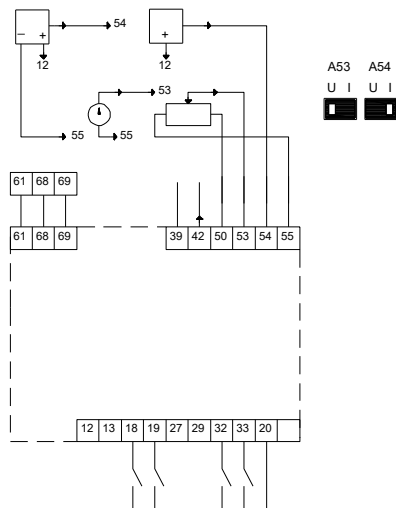
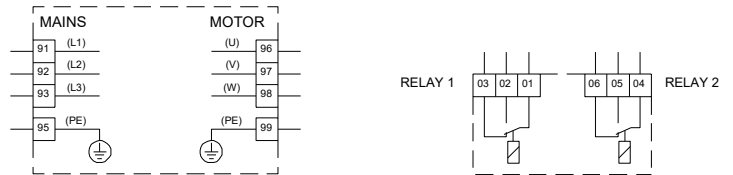
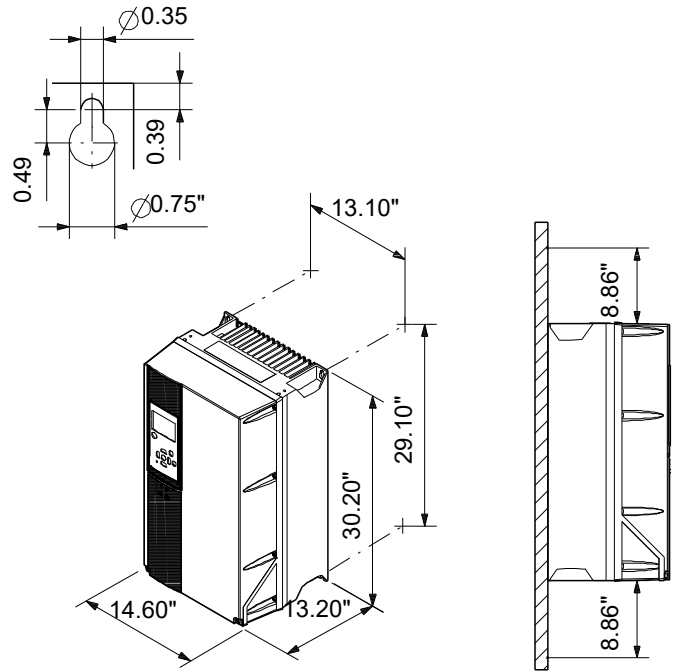
Date:

29/11/2023

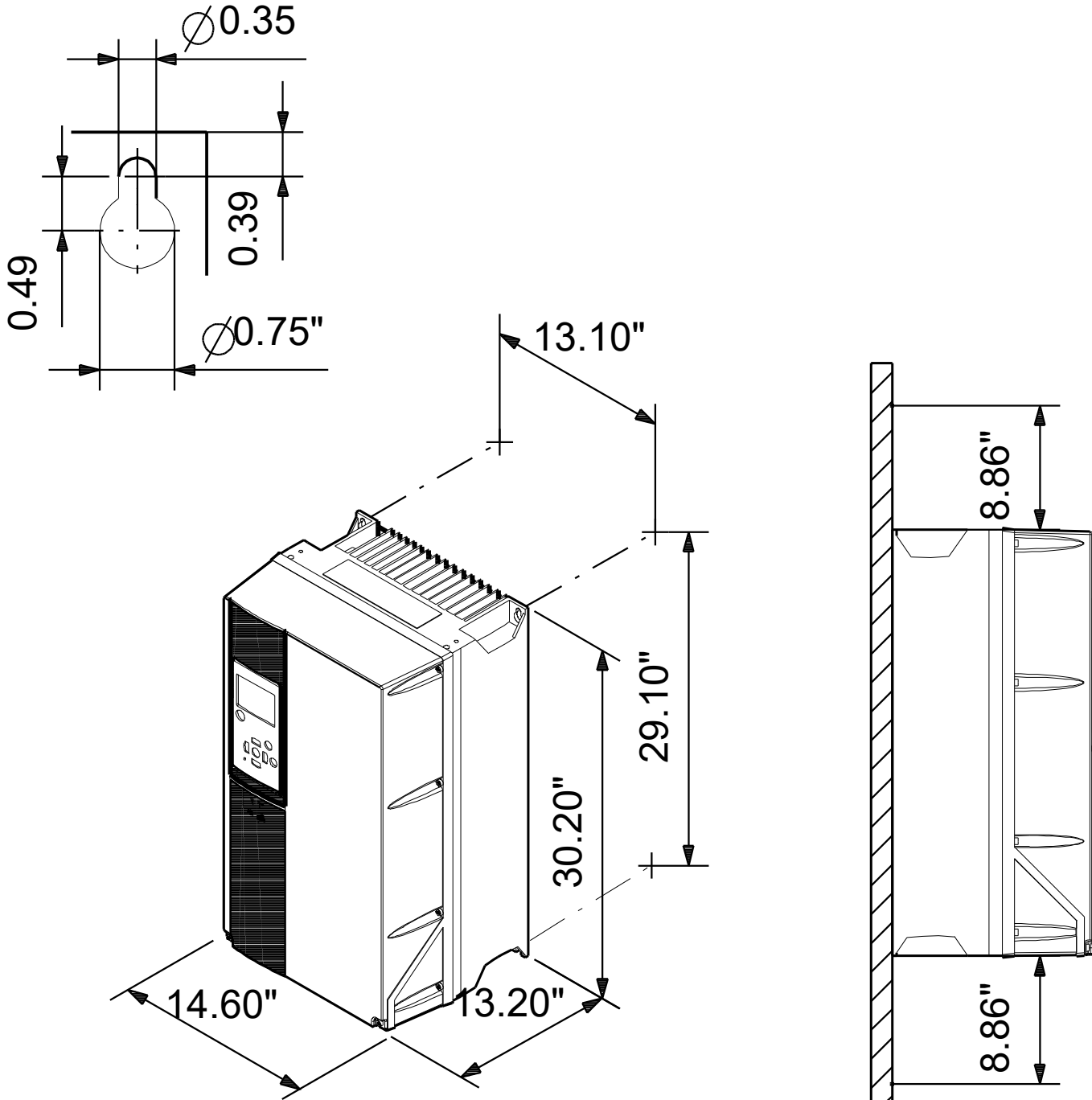
Qty.	Description
------	-------------

1	Net weight: 141 lb
	Gross weight: 142 lb
	Country of origin: US
	Custom tariff no.: 8504.40.4000

Description	Value
<b>General information:</b>	
Product name:	CUE 3X380-500V IP66 75KW DC
Product No:	99619054
EAN number:	5713832013661
<b>Technical:</b>	
Approvals:	CE, CULUS, C-TICK
<b>Installation:</b>	
Range of ambient temperature:	32 .. 113 °F
Relative humidity:	5-95 %
Mounted on:	WALL
<b>Electrical data:</b>	
Rated power - P2:	100 HP
Mains frequency:	50 / 60 Hz
Rated voltage:	3 x 380-440/441-500 V
Rated current:	147-130 A
Maximum current consumption:	147 A
Efficiency at full load:	98 %
Enclosure class (IEC 34-5):	IP66
Built-in motor protection:	YES
Thermal protec:	external
Cable length:	150/300 m
<b>Others:</b>	
Net weight:	141 lb
Gross weight:	142 lb
Country of origin:	US
Custom tariff no.:	8504.40.4000



## 99619054 CUE 3X380-500V IP66 75KW DC



## 99619054 CUE 3X380-500V IP66 75KW DC

