

Submittal Data

PROJECT:	UNIT TAG:	QUANTITY:
REPRESENTATIVE: _____	TYPE OF SERVICE:	DATE: _____
ENGINEER:	SUBMITTED BY:	DATE:
CONTRACTOR:	APPROVED BY:	DATE:
	ORDER NO.:	DATE:

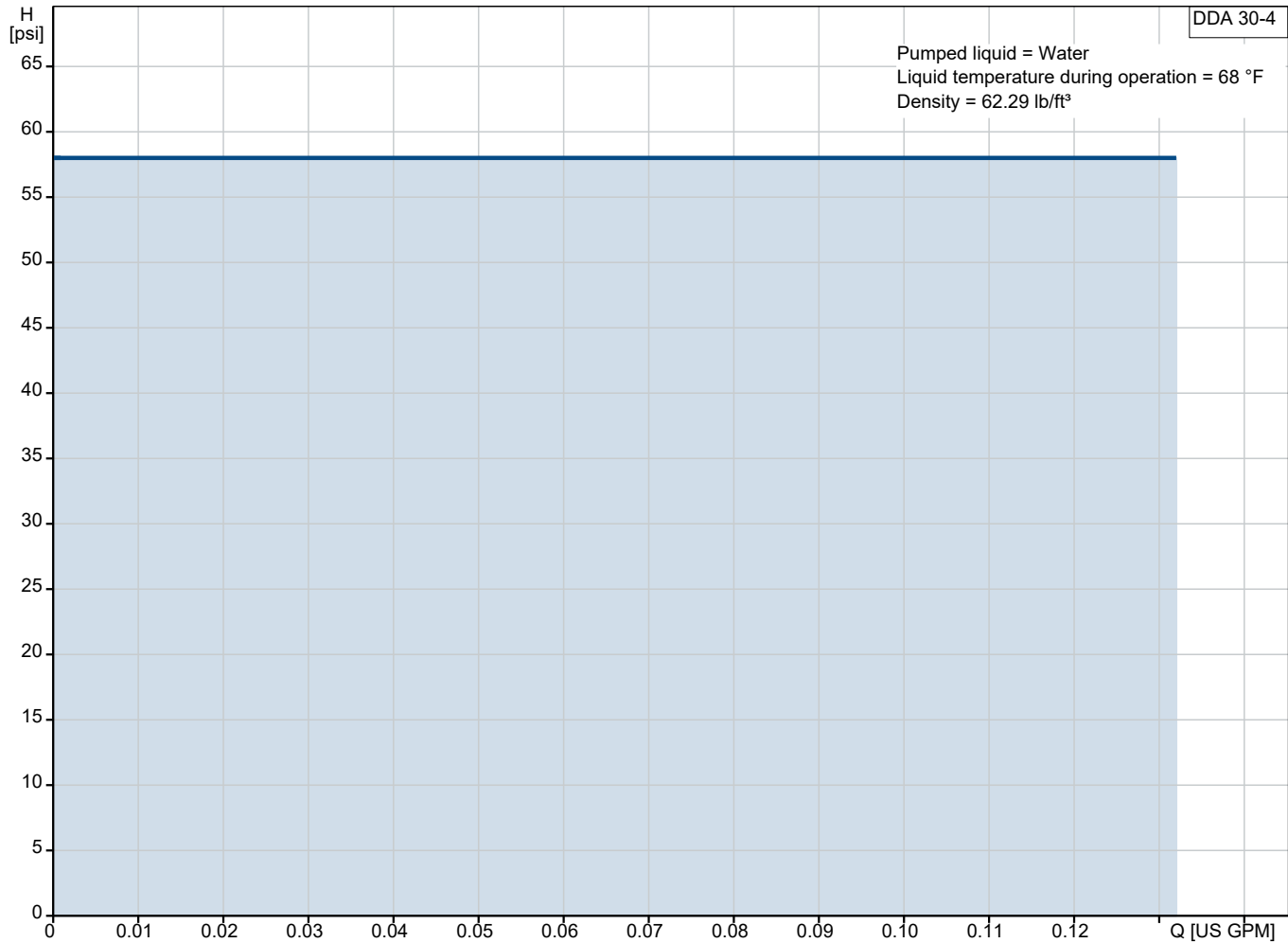


DDA 30-4 AR-C-SS/T/SS-F-31VVBG

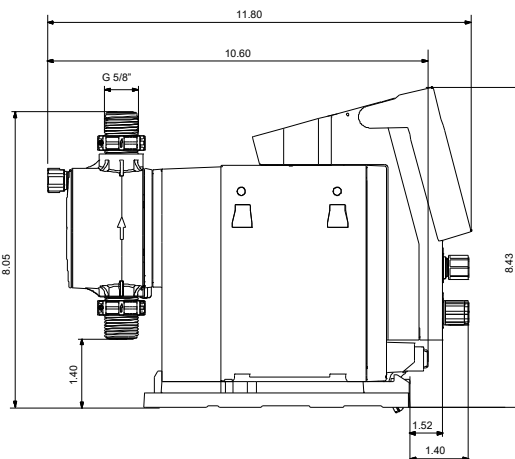
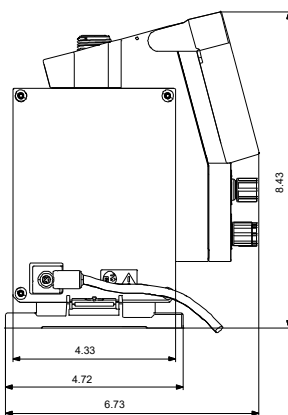
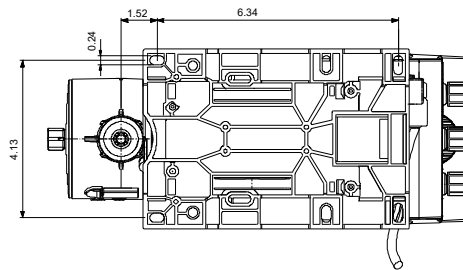
SMART Digital diaphragm dosing pump with internal brushless motor drive. High-end solution for complex and demanding applications (Digital Dosing Advanced).

Note! Product picture may differ from actual product

Conditions of Service	Pump Data	Motor Data
Liquid: Water	Maximum operating pressure: 58.02 psi	Rated voltage: 100-240 V
Temperature: 68 °F	Liquid temperature range: 32 .. 113 °F	Mains frequency: 50 / 60 Hz
Specific Gravity: 1.000	Maximum ambient temperature: 113 °F	Enclosure class: IP65 / TYPE 4X
	Product number: 93065327	



Submittal Data



Materials:

Dosing head: Stainless Steel 1.4435

Valve ball: Stainless steel

Gasket: PTFE

Qty. Description

1 DDA 30-4 AR-C-SS/T/SS-F-31VVBG



Note! Product picture may differ from actual product

Product No.: [93065327](#)

The SMART Digital DDA-C is a compact positive-displacement diaphragm dosing pump with variable-speed drive (stepper motor) and intelligent control electronics with minimum energy consumption.

The SMART Digital Dosing series operates at full stroke length to ensure optimum accuracy, priming and suction, even for high-viscosity or degassing liquids.

Depending on the set capacity, the duration of the discharge stroke varies, ensuring an optimal, uniform and continuous discharge flow.

The click-stop mounting plate allows installation in three different positions without using any additional accessories.

The control cube can be easily turned to the front, left or right position.

The click wheel and the multi-coloured backlit graphic plain-text LC display enable intuitive commissioning and operation.

The control elements are protected by a transparent cover.

The DDA-C has built-in connectivity that allows easy setup and tracking via the Grundfos GO app as well as easy integration into a Modbus RTU or TCP bus system.

The dosing head includes the following parts:

- A durable and chemically resistant full PTFE diaphragm,
- Double ball valves for maximum dosing accuracy,
- A deaeration valve for easy start-up.

Operation modes and functions:

- Manual dosing in ml/h, l/h or gph.
- Pulse control in ml/pulse (incl. memory function).
- Analog control, 0/4-20 mA (scalable).
- Pulse-based batch function in ml, l or gal.
- Timer-based batch function (dosing timer cycle or week).
- Fieldbus control (integrated Modbus RTU and TCP; Profibus DP, Profinet and Ethernet IP via CIM/CIU models).
- Cloud control and monitoring (Smart Digital Chempairing Suite; Grundfos Connect).

Other features:

- Auto deaeration during pump standby to avoid stand-still due to air-locking.
- Two SlowMode steps (anti-cavitation), 50 % and 25 % maximum flow, e.g. for high-viscosity or degassing liquids.
- Max. Capacity to limit the capacity of the pump to a set maximum.
- Service information display to show when service and which wear-part order numbers are required.
- Two-step key lock function to protect the pump against unauthorised access.
- Multi-parameter dashboard function to provide further information on up to 4 parameters.
- Counter for total dosed volume (resettable), operating hours, etc.
- Save, copy and load customised settings as well as reload factory settings.

Signal inputs/outputs:

- Input for pulse, analog 0/4-20mA, external stop.
- Input for low-level and empty-tank signal.
- Two potential-free output relays for max. 30 V AC/DC (configurable, e.g. alarm, stroke signal, pump dosing, timer etc.)



Company name:

Created by:

Phone:

Date:

12/02/2025

Qty.	Description
------	-------------

1	<ul style="list-style-type: none">• Output analog 0/4-20mA.• Fieldbus communication interface (integrated Modbus RTU and TCP; Profibus DP, Profinet and Ethernet IP via CIM/CIU models).
---	---



Company name:

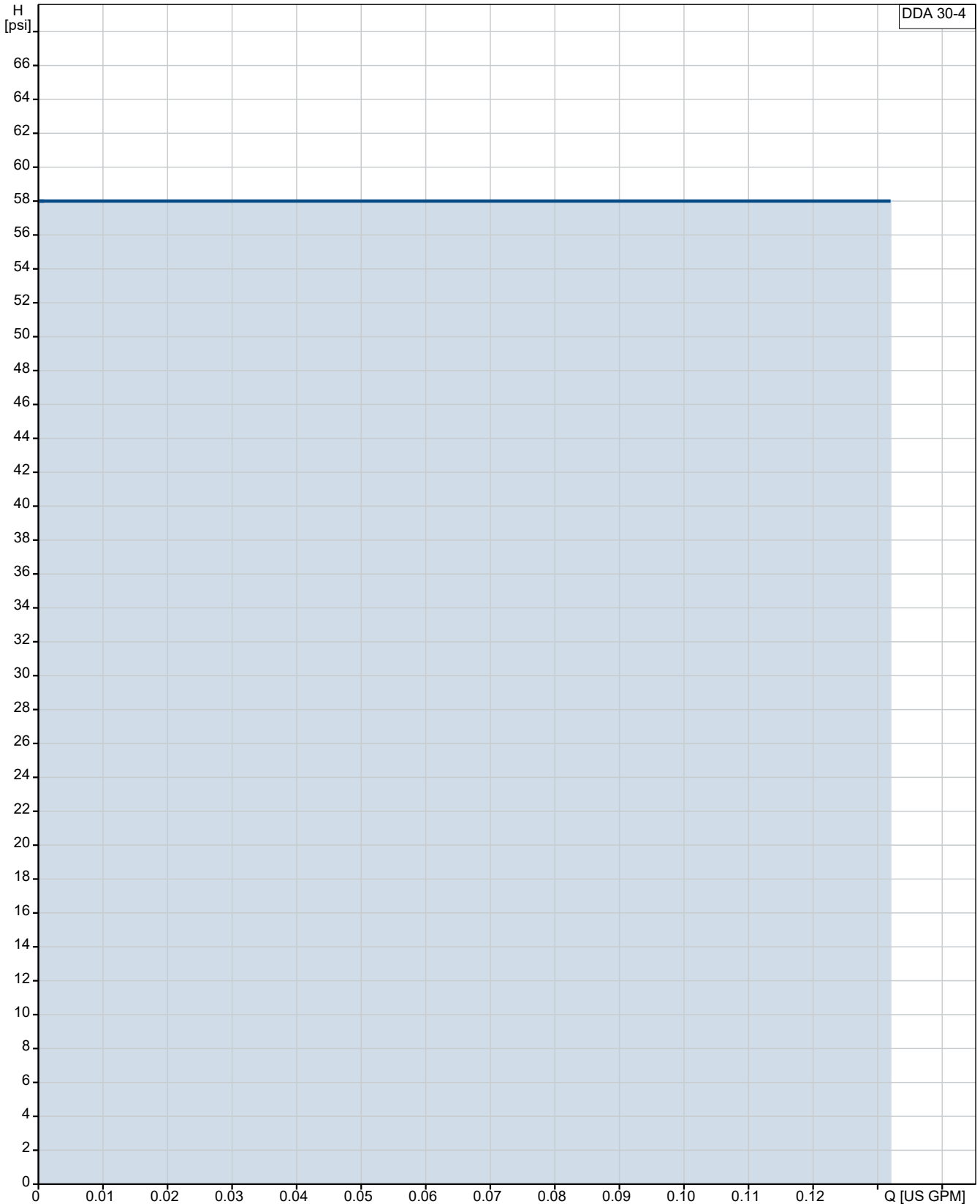
Created by:

Phone:

Date:

12/02/2025

93065327 DDA 30-4 AR-C-SS/T/SS-F-31VVBG

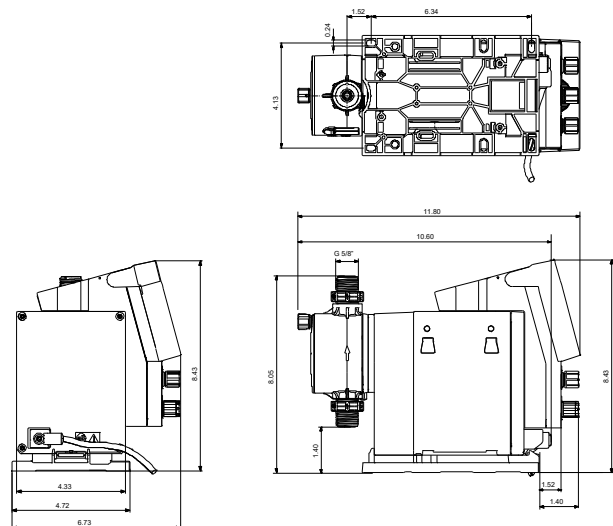
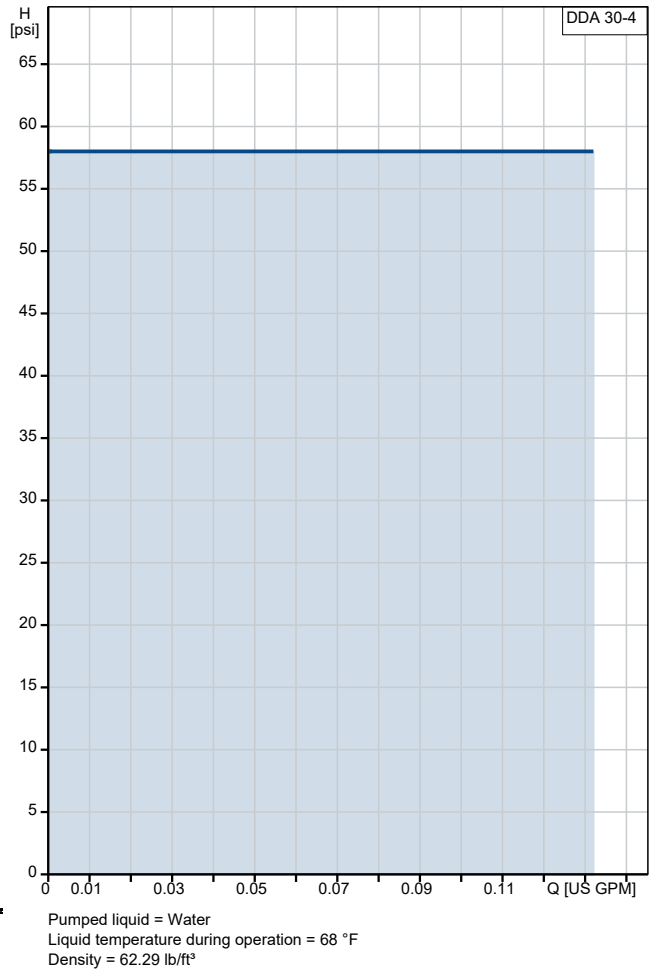


Pumped liquid = Water

Liquid temperature during operation = 68 °F

Density = 62.29 lb/ft³

Description	Value
General information:	
Product name:	DDA 30-4 AR-C-SS/T/SS-F-31VVBG
Product No:	93065327
EAN number:	5715467283822
Technical:	
Type key:	DDA 30-4 AR-C-SS/T/SS-F-31VVBG
Max. Flow:	0.13209 US GPM
Max. flow in slow mode 50%:	0.06604 US GPM
Max. flow in slow mode 25%:	0.03302 US GPM
Min flow:	30.0 ml/h
Turn-down ratio:	1:1000
Approvals:	CE, CSA-US, NSF61, RCM
Valve type:	Standard
Maximum viscosity at 100 %:	150 mPas
Maximum viscosity in slow mode 50 %:	600 mPas
Maximum viscosity in slow mode 25 %:	1500 mPas
Accuracy of repeatability:	1 %
Materials:	
Dosing head:	Stainless Steel 1.4435
Valve ball:	Stainless steel
Gasket:	PTFE
Installation:	
Range of ambient temperature:	32 .. 113 °F
Maximum operating pressure:	58.02 psi
Installation set (Yes/No):	NO
Installation type:	No installation set
Pump inlet:	Threaded, NPT 1/4"
Pump outlet:	Threaded, NPT 1/4"
Max. Suction lift during operation:	19.7 ft
Max. Suction lift during priming:	6.56 ft
Liquid:	
Pumped liquid:	Water
Liquid temperature range:	32 .. 113 °F
Selected liquid temperature:	68 °F
Density:	62.29 lb/ft³
Electrical data:	
Maximum power input - P1:	24 W
Mains frequency:	50 / 60 Hz
Rated voltage:	1 x 100-240 V
Enclosure class (IEC 34-5):	IP65 / TYPE 4X
Length of cable:	4.92 ft
Type of cable plug:	USA, Canada
Inrush current:	25A at 230V for 2ms
Controls:	
Control variant:	AR-C
Control panel:	Front-Mounted
Level control:	YES
Analog input:	0/4-20 MA
Pulse control:	YES
Ext. Stop input:	Yes
Analog output:	0/4-20 MA
Output relays:	2
Bus communication:	YES
Others:	





Company name:

Created by:

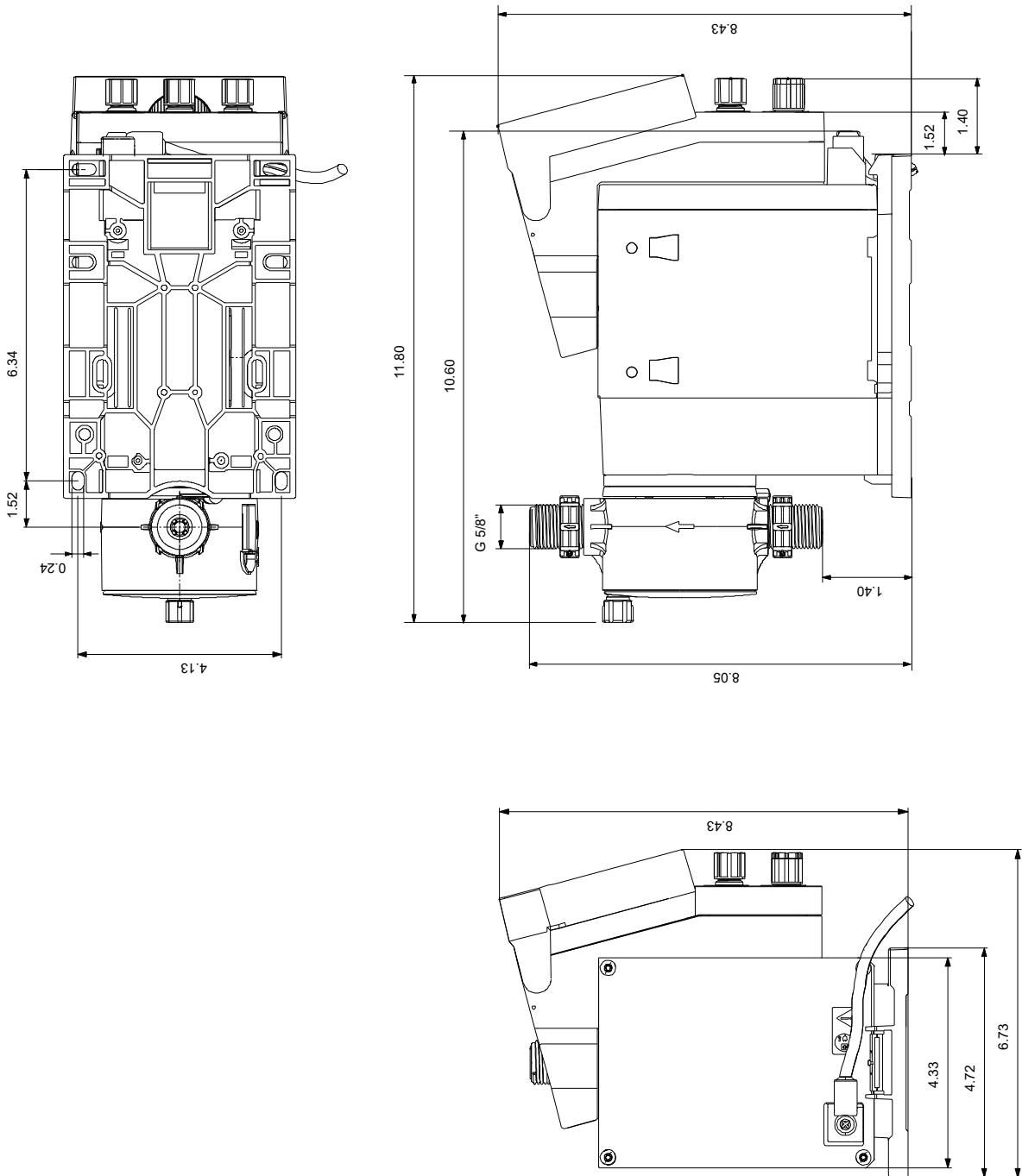
Phone:

Date:

12/02/2025

Description	Value
Net weight:	6.62 lb
Gross weight:	8.82 lb
Color:	RED
Country of origin:	US
Custom tariff no.:	8413.19.0000

93065327 DDA 30-4 AR-C-SS/T/SS-F-31VVBG



Note! All units are in [in] unless others are stated.
 Disclaimer: This simplified dimensional drawing does not show all details.