

Submittal Data

PROJECT:	UNIT TAG:	QUANTITY:
REPRESENTATIVE: _____	TYPE OF SERVICE:	DATE: _____
ENGINEER:	SUBMITTED BY:	DATE:
CONTRACTOR:	APPROVED BY:	DATE:
	ORDER NO.:	DATE:

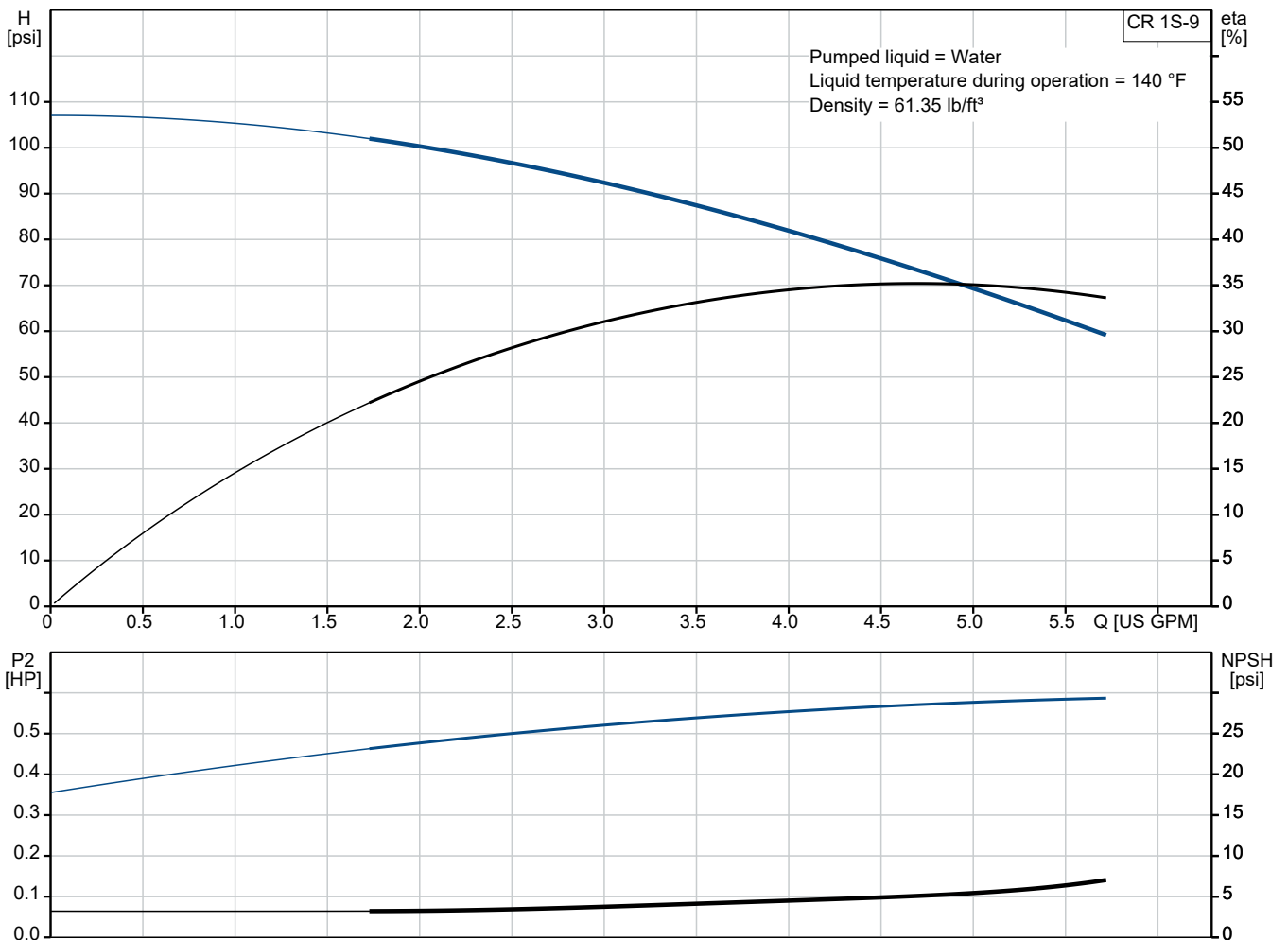


CR 1S-9 A-FGJ-A-V-HQQV

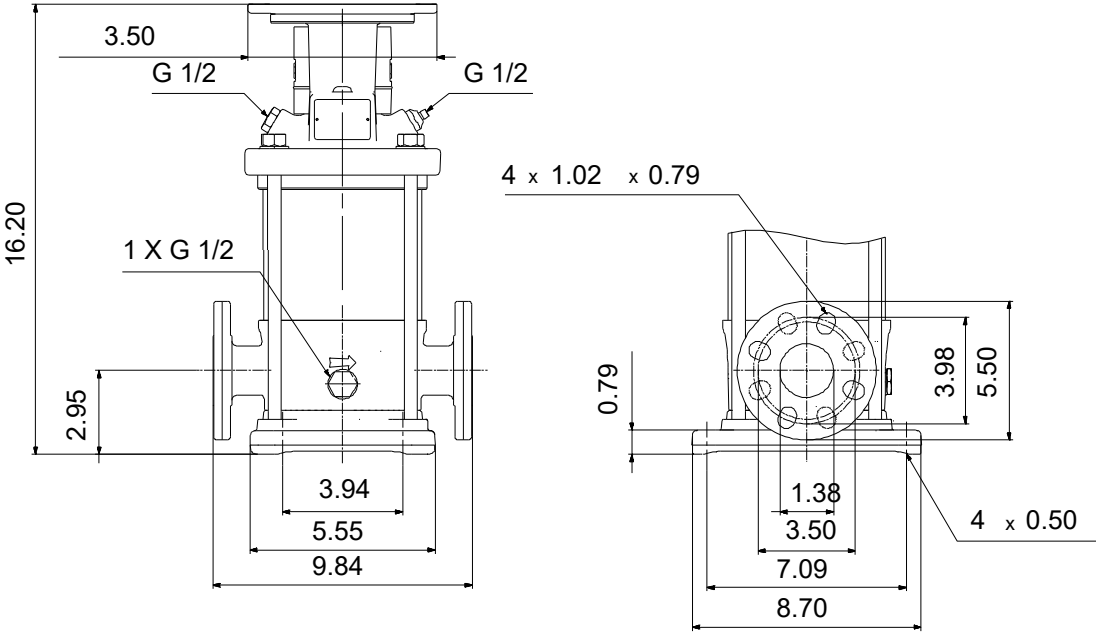
Vertical, multistage centrifugal pump with suction and discharge ports on the same level. The pump head and base are in cast iron - all other wetted parts are in stainless steel (EN 1.4301)

Note! Product picture may differ from actual product

Conditions of Service	Pump Data	Motor Data
Liquid: Water	Max pressure at stated temp: 363 psi / 194 °F	Mains frequency: 60 Hz
Temperature: 140 °F	Liquid temperature range: -4 .. 194 °F	
Specific Gravity: 0.985	Shaft seal: HQQV	
	Product number: 96081103	



Submittal Data



Materials:
 Base: Cast iron
 EN 1561 EN-GJL-200
 ASTM A48-25B
 Impeller: Stainless steel
 AISI 304
 EN 1.4301
 Material code: A
 Code for rubber: V

Qty. Description

1 CR 1S-9 A-FGJ-A-V-HQQV



Note! Product picture may differ from actual product

Product No.: [96081103](#)

Pump without motor

Vertical, multistage centrifugal pump with inlet and outlet ports on same the level (inline). The pump head and base are in cast iron – all other wetted parts are in stainless steel. Power transmission is via a rigid split coupling. Pipe connection is via combined DIN-ANSI-JIS flanges.

Further product details

Steel, cast iron and aluminium components have an epoxy-based coating made in a cathodic electro-deposition (CED) process.

CED is a high-quality dip-painting process where an electrical field around the products ensures deposition of paint particles as a thin, well-controlled layer on the surface.

An integral part of the process is a pretreatment.

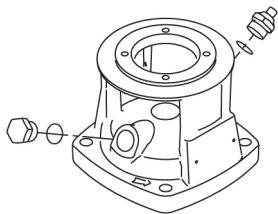
The entire process consists of these elements:

- 1) Alkaline-based cleaning.
- 2) Zinc phosphating.
- 3) Cathodic electro-deposition.
- 4) Curing to a dry film thickness 18-22 my m.

The colour code for the finished product is NCS 9000/RAL 9005.

Pump

The pump head, pump head cover and flange for motor mounting is made in one piece. The pump head has a combined 1/2" priming plug and vent screw.



The pump is fitted with a balanced O-ring seal unit with a rigid torque-transmission system.

This seal type is assembled in a cartridge unit which makes replacement safe and easy.

Due to the balancing, this seal type is suitable for high-pressure applications.

The cartridge construction also protects the pump shaft from possible wear from a dynamic O-ring between pump shaft and shaft seal.

Seal faces:

- Rotating seal ring material: silicon carbide (SiC)
- Stationary seat material: silicon carbide (SiC)

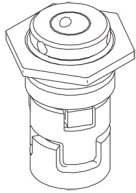
This material pairing is used where higher corrosion resistance is required. The high hardness of this material pairing offers good resistance against abrasive particles.

Secondary seal material: FKM (fluorocarbon rubber)

FKM has excellent resistance to oils and chemicals. Above 90 °C, FKM should only be used in media without water.

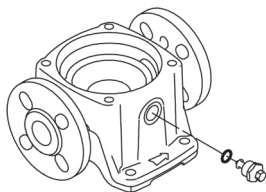
Qty. Description

1



The shaft seal is screwed into the pump head.

The base is made of cast iron. The flanges and base are cast in one piece. The outlet side of the base has a combined drain plug and bypass valve. The pump is secured to the foundation by four bolts through the base plate.



Motor

The pump is sold without motor.

Technical data

Liquid:

Pumped liquid: Water
 Liquid temperature range: -4 .. 194 °F
 Selected liquid temperature: 140 °F
 Density: 61.35 lb/ft³

Technical:

Pump speed on which pump data are based: 3439 rpm
 Rated flow: 4.84 US GPM
 Rated head: 71.32 psi
 Pump orientation: Vertical
 Shaft seal arrangement: Single
 Primary shaft seal: HQQV
 Code for shaft seal: HQQV
 Approvals: CE
 Curve tolerance: ISO9906:2012 3B

Materials:

Base: Cast iron
 EN 1561 EN-GJL-200
 ASTM A48-25B
 Impeller: Stainless steel
 EN 1.4301
 AISI 304
 Bearing: SIC

Installation:

Maximum operating pressure: 362.59 psi
 Max pressure at stated temp: 363 psi / 194 °F
 363 psi / -4 °F
 Type of connection: DIN / ANSI / JIS
 Size of inlet connection: DN 25/32



Company name:

Created by:

Phone:

Date:

17/04/2025

Qty. Description

1	Size of outlet connection:	1 1/4 inch
		DN 25/32
		1 1/4 inch
	Pressure rating for connection:	PN 25
	Flange rating inlet:	250 lb
	Flange size for motor:	56C
	Electrical data:	
	Motor standard:	NEMA
	Power (P2) required by pump:	0.75 HP
	Controls:	
	Frequency converter:	None
	Others:	
	Net weight:	45.4 lb
	Gross weight:	56.4 lb
	Shipping volume:	4.94 ft ³
	Country of origin:	US
	Custom tariff no.:	8413.70.2040



Company name:

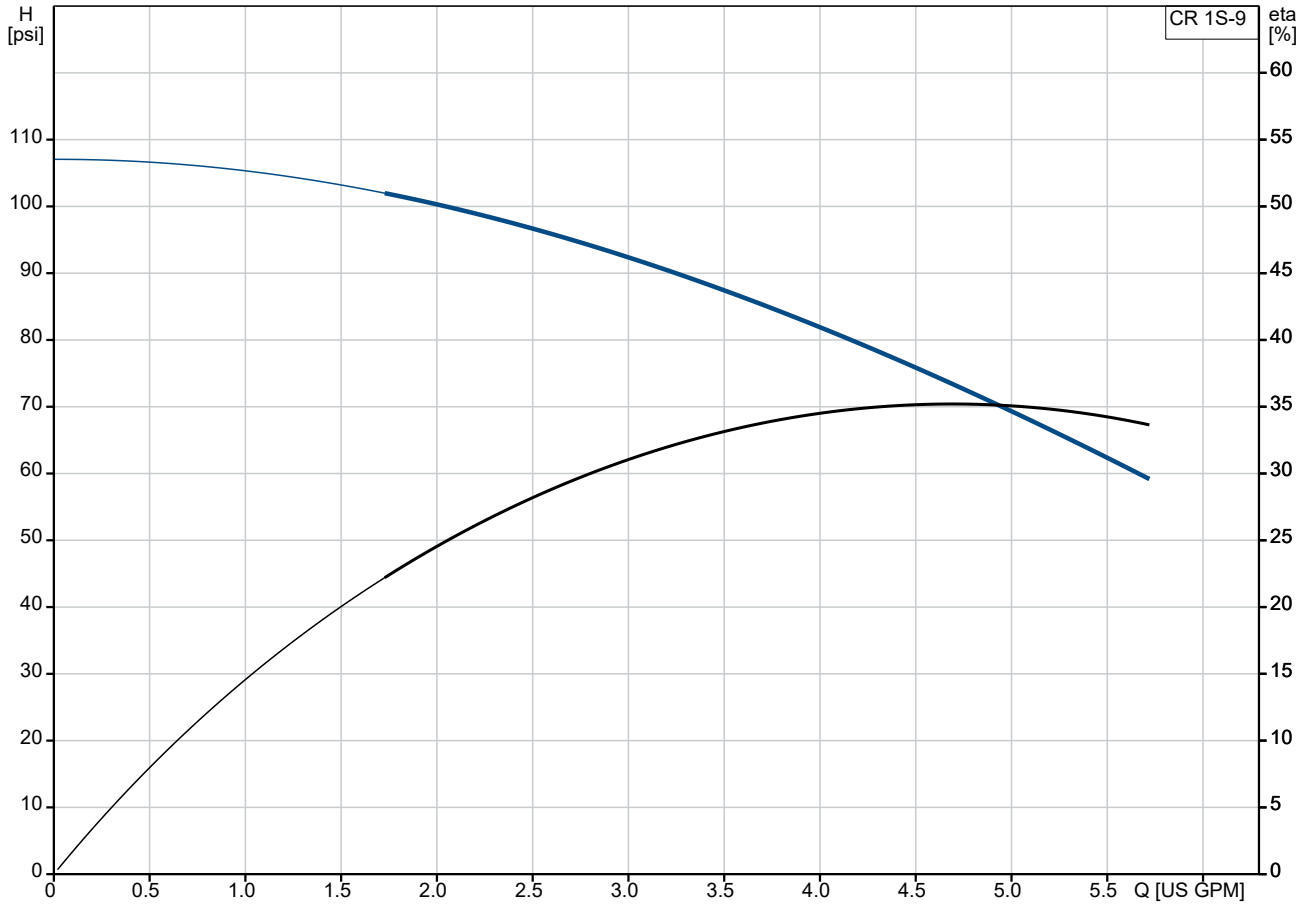
Created by:

Phone:

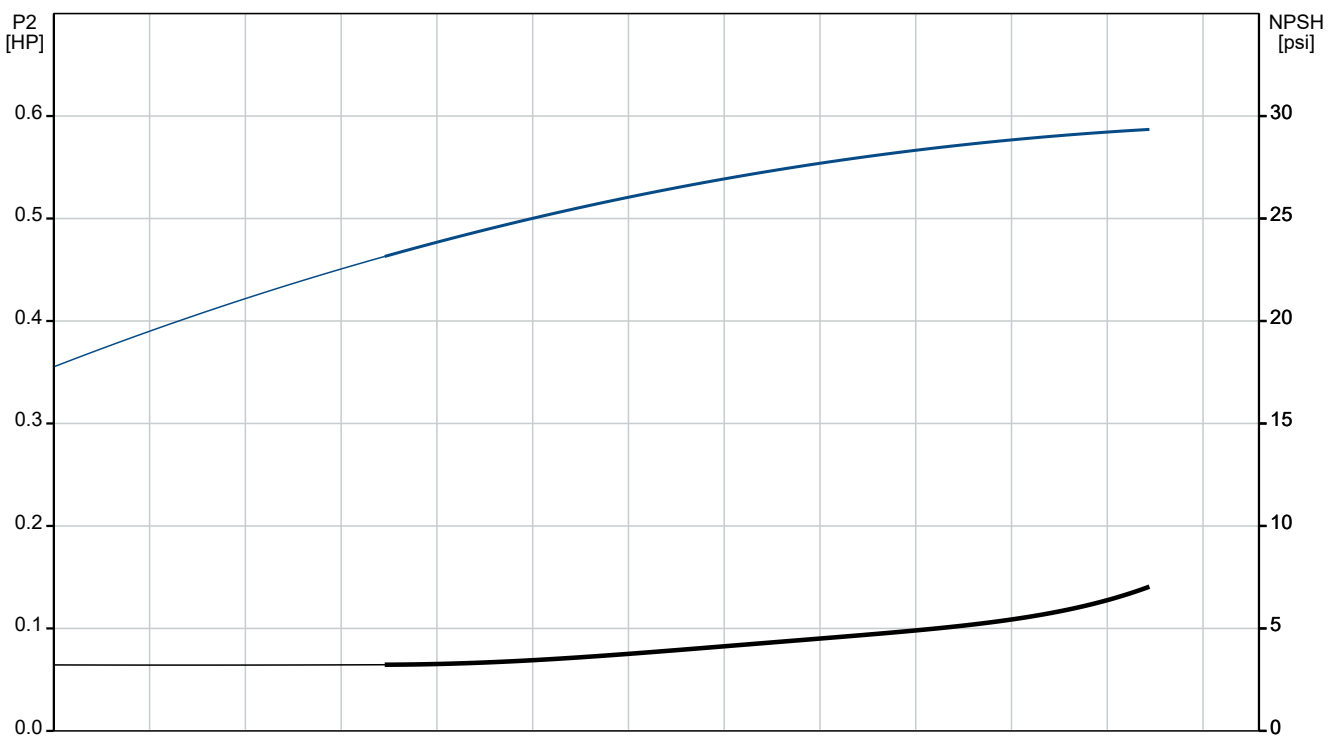
Date:

17/04/2025

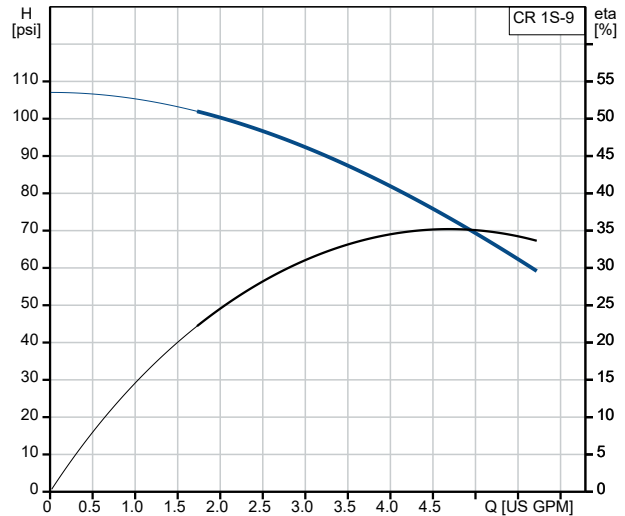
96081103 CR 1S-9 A-FGJ-A-V-HQQV 60 Hz



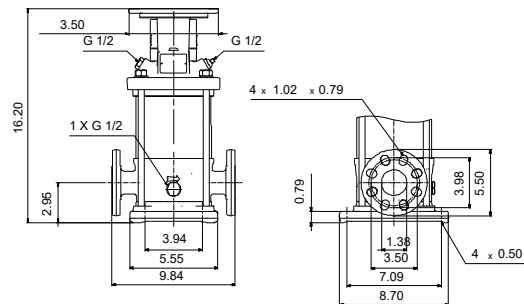
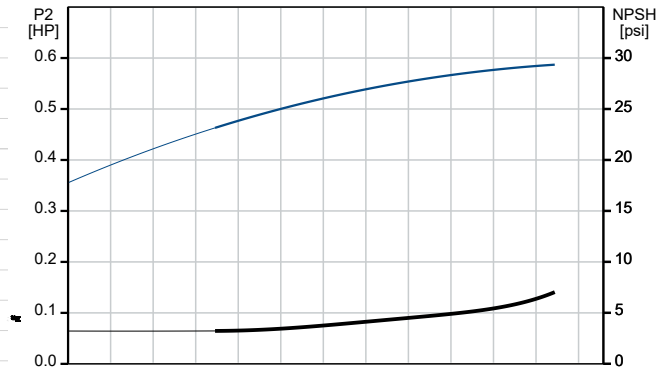
Pumped liquid = Water
Liquid temperature during operation = 140 °F
Density = 61.35 lb/ft³



Description	Value
General information:	
Product name:	CR 1S-9 A-FGJ-A-V-HQQV
Product No:	96081103
EAN number:	5700395155686
Technical:	
Pump speed on which pump data are based:	3439 rpm
Rated flow:	4.84 US GPM
Rated head:	71.32 psi
Maximum head:	106.7 psi
Stages:	9
Impellers:	9
Number of reduced-diameter impellers:	0
Low NPSH:	N
Pump orientation:	Vertical
Shaft seal arrangement:	Single
Primary shaft seal:	HQQV
Code for shaft seal:	HQQV
Approvals:	CE
Curve tolerance:	ISO9906:2012 3B
Pump version:	A
Model:	A
Materials:	
Base:	Cast iron EN 1561 EN-GJL-200
Impeller:	Stainless steel ASTM A48-25B EN 1.4301 AISI 304
Material code:	A
Code for rubber:	V
Bearing:	SIC
Installation:	
Maximum operating pressure:	362.59 psi
Max pressure at stated temp:	363 psi / 194 °F 363 psi / -4 °F
Type of connection:	DIN / ANSI / JIS
Size of inlet connection:	DN 25/32 1 1/4 inch
Size of outlet connection:	DN 25/32 1 1/4 inch
Pressure rating for connection:	PN 25
Flange rating inlet:	250 lb
Flange size for motor:	56C
Connect code:	FGJ
Liquid:	
Pumped liquid:	Water
Liquid temperature range:	-4 .. 194 °F
Selected liquid temperature:	140 °F
Density:	61.35 lb/ft ³
Electrical data:	
Motor standard:	NEMA
Power (P2) required by pump:	0.75 HP
Controls:	
Frequency converter:	None
Others:	
Net weight:	45.4 lb



Pumped liquid = Water
Liquid temperature during operation = 140 °F
Density = 61.35 lb/ft³





Company name:

Created by:

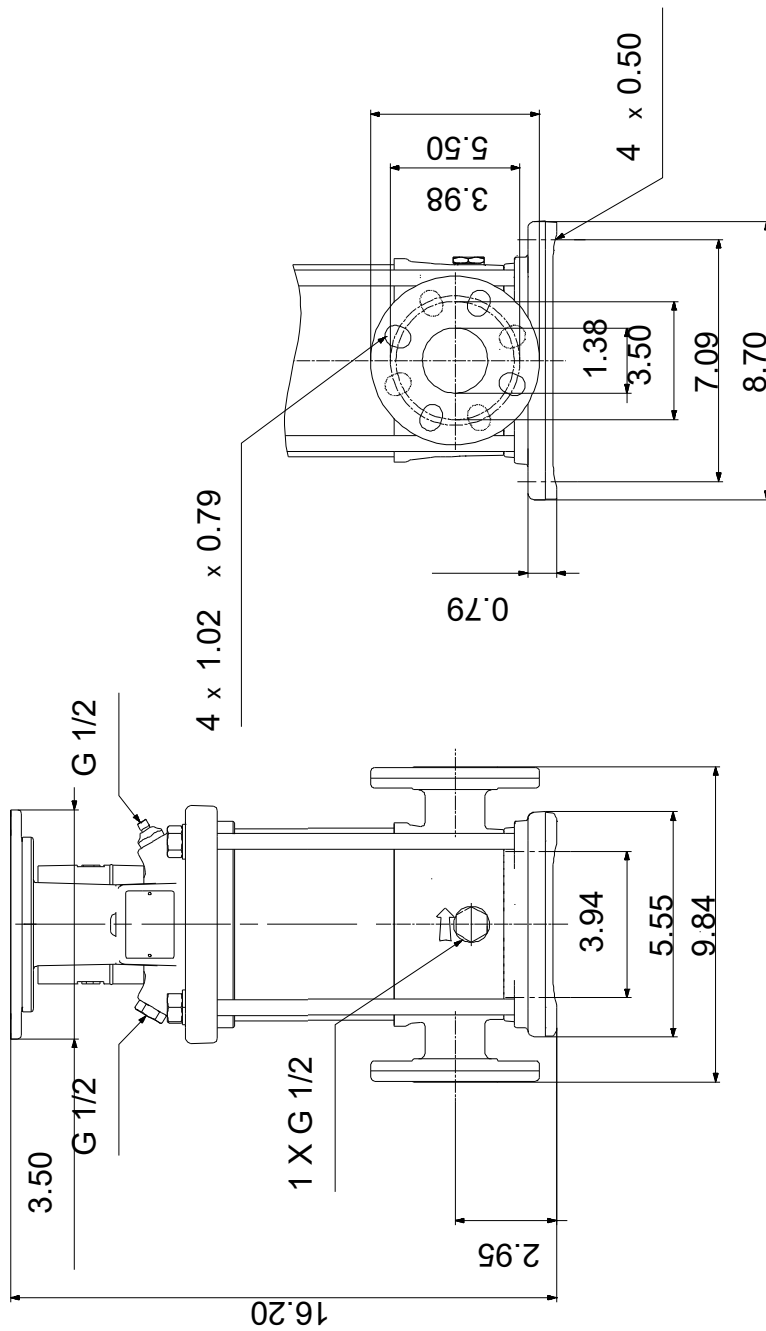
Phone:

Date:

17/04/2025

Description	Value
Gross weight:	56.4 lb
Shipping volume:	4.94 ft ³
Country of origin:	US
Custom tariff no.:	8413.70.2040

96081103 CR 1S-9 A-FGJ-A-V-HQQV 60 Hz



Note! All units are in [in] unless others are stated.
 Disclaimer: This simplified dimensional drawing does not show all details.