

PORT SCHEDULE	
PORT	DESCRIPTION
N1	2" FNPT INLET
N2	2" FNPT OUTLET
N3	1/2" FNPT VENT PORT
N4, N5	1/2" FNPT GAUGE PORTS
N6	3/4" FNPT DRAIN PORT

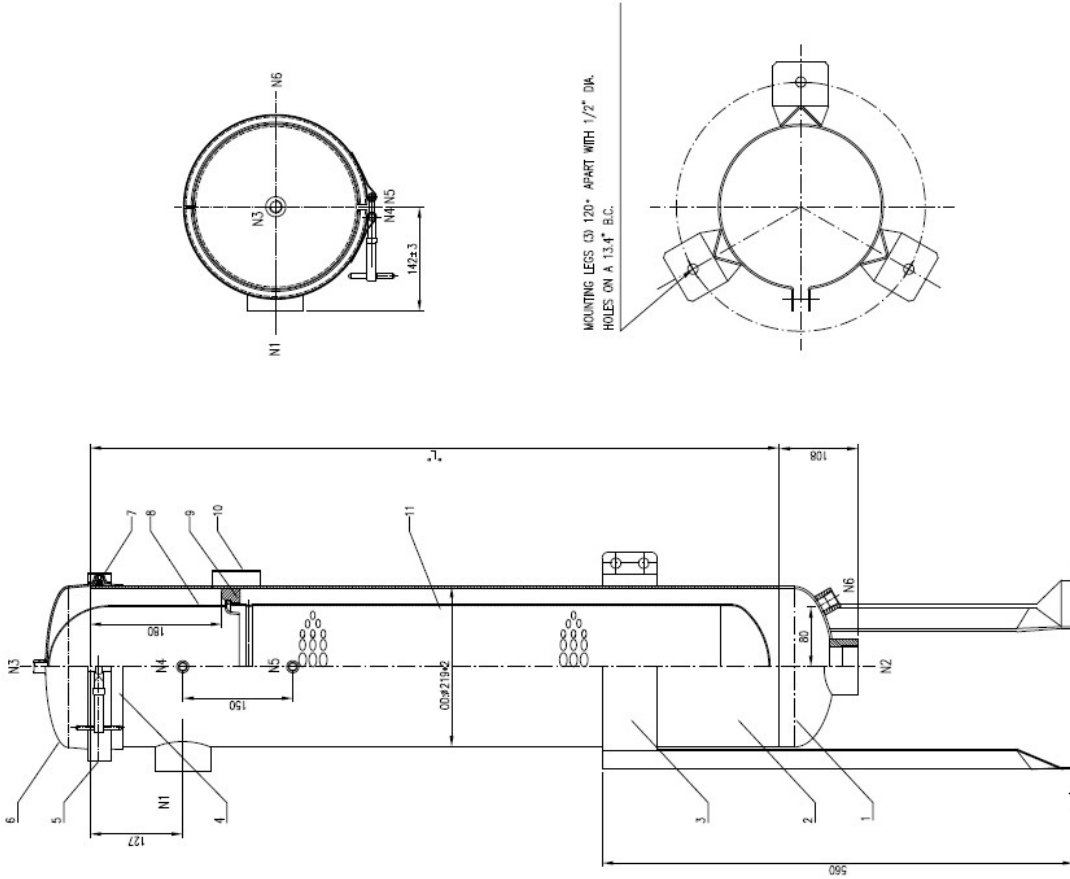
ADDITIONAL PORT OPTIONS ARE AVAILABLE.

TABULATED MODELS		
MODEL	NOMINAL SIZE	HEIGHT "L"
E-BCB-S1x1-2FN	Size #1	570mm (22.5")
E-BCB-S2x1-2FN	Size #2	940mm (37")

1. ALL DIMENSIONS ARE REFERENCE, UNLESS TOLERANCES ARE SPECIFIED.
2. FOR ADDITIONAL INFORMATION, REFER TO TECHNICAL DATA SHEET FOR THIS MODEL.

NOTES:

1. HYDROTEST: 30 MINUTES AT 1.3X RATED PRESSURE WITHOUT EVIDENCE OF LEAKAGE OR DEFORMATION.
2. SURFACE FINISH: BEAD-BLASTED
3. COMPLETE UNIT INCLUDES:
 - PROTECTIVE CAPS ON INLET/OUTLET PORTS
 - PIPE PLUGS INSTALLED ON VENT AND DRAIN PORTS.



DIMENSIONS SHOWN IN MILLIMETERS

Endoer

Endoer Filtration Inc. Loveland CO USA

TITLE
 FILTER BAG HSG,
 #E-BCB, 2" FNPT

P/N
 CS 853028

REV
 A

DIMENSIONS IN INCHES
 DEFAULT TOLERANCES
 XX +/- 0.0625"
 XXX +/- 0.015"
 XXXX +/- 0.005"
 UNLESS OTHERWISE SPECIFIED

MATERIAL:

FINISH:

DO NOT SCALE DRAWING

DRAWN: 12-SEPT-2024

SHEET 1 OF 3