



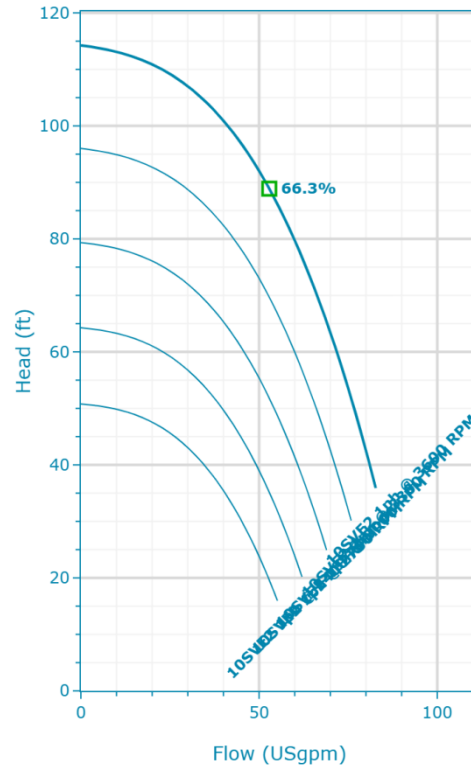
10SVE2GE3LM0

Created On: 1/8/26

10SVE2GE3LM0 | Configuration Summary



e-SVE series is equipped with an intelligent control that optimizes hydraulic performance while minimizing waste. It is a pre-programmed package combining the e-SV multi-stage pump with a Xylem Smart Motor – an “ultra-premium” level IES permanent magnet motor with a wide range of monitoring, control and safety features.



PUMP

Installation
Complete Pump

MATERIALS

Pump Body Material Cast Iron (ASTM Class 35/40B)	Impeller Material Stainless Steel (AISI 304)
--	--

SEAL

Type of Seal Mechanical Seals	Rotating Face Carbon
	Stationary Face Silicon Carbide Graphite Filled
	Elastomers Viton
	Spring 316 SS
	Metal Component 316 SS

STANDARD OPTIONS

Special Configuration
Please Select

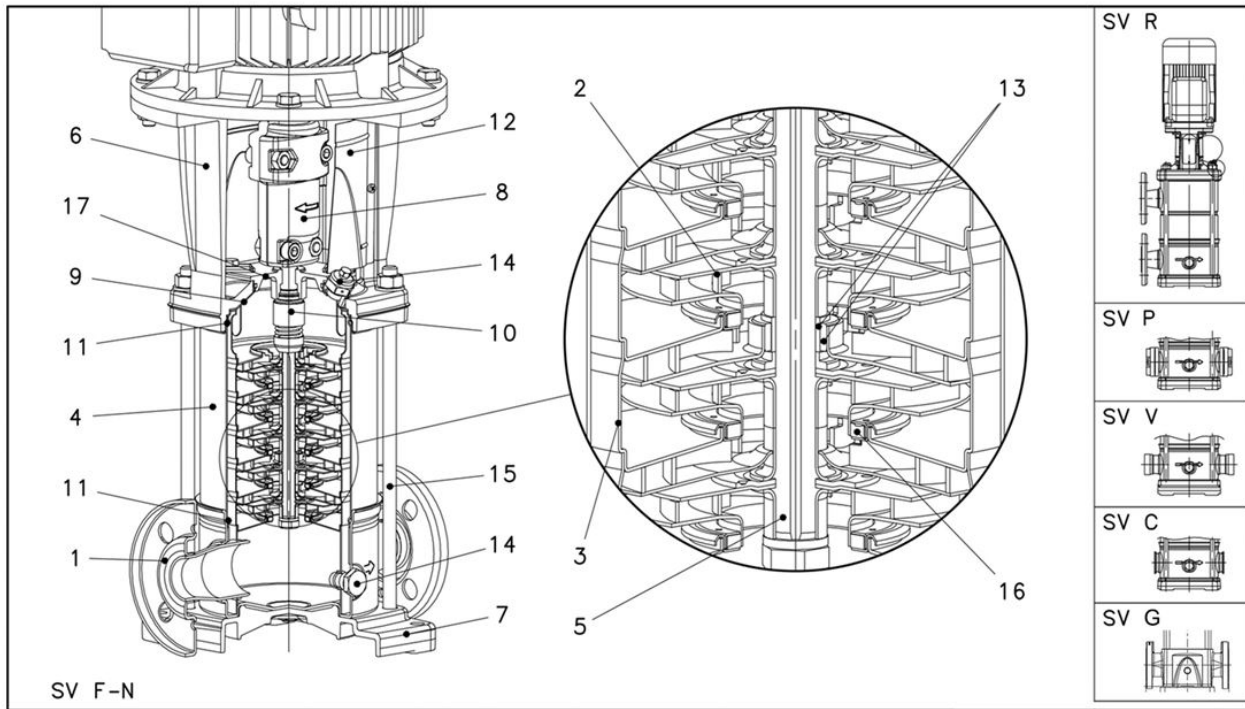
MOTOR

Poles 2	Power 2 hp
Enclosure TEFC	Phase (~) 1
	Voltage 208-240 V

FLANGE

Flange
[G] = Round Flanges (AISI 304/Cast Iron)

10SVE2GE3LM0 | Product Details



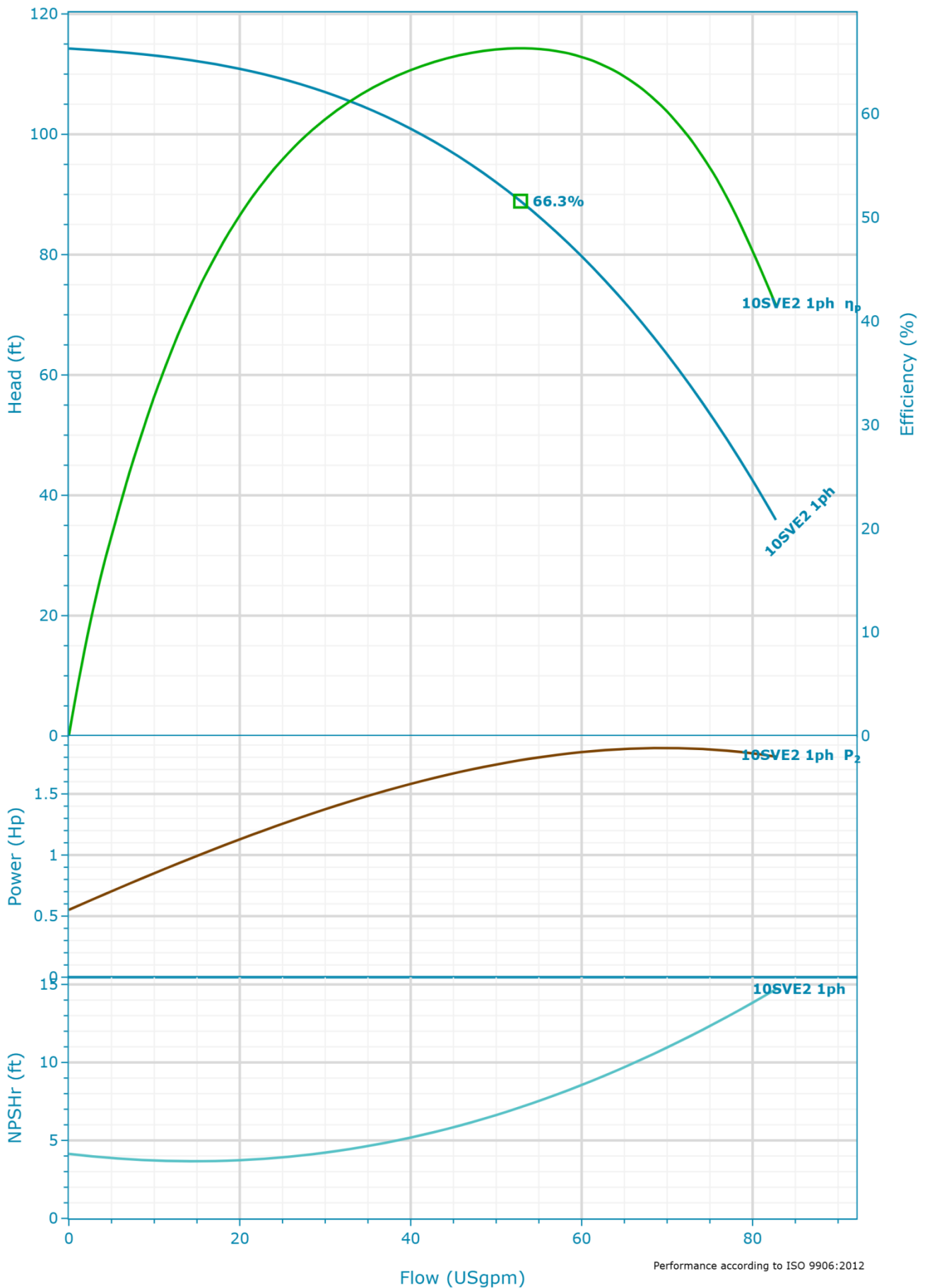
Construction Materials

Pump Body (1) Cast Iron (ASTM Class 35/40B)	Shaft (5) Stainless Steel (AISI 316)	Seal Plate (9) Stainless Steel (AISI 316L)	Fill/Drain Plugs (14) Stainless Steel (AISI 316)
Impeller (2) Stainless Steel (AISI 304)	Adapter (6) Cast Iron (ASTM Class 35/40B)	Elastomers (11) Refer Mechanical Seals	Tie Rods (15) Carbon Steel / Zinc Plated (A29 Gr.1045)
Diffuser (3) Stainless Steel (AISI 304)	Base (7) N/A	Coupling Guard (12) Stainless Steel (AISI 304)	Wear Ring (16) PPS
Casing (4) Stainless Steel (AISI 316L)	Coupling (8) Aluminum (A384.0-F)	Shaft Sleeve and Bushing (13) Tungsten Carbide	Seal Gland (17) Stainless Steel (AISI 316)

Motor

Enclosure TEFC	Rated Power 2 Hp	Phase 1	SLA 8.42-7.25
Speed 3600.0 rpm	Rated Voltage 208-240 V	FLA 8.42-7.25	

10SVE2GE3LM0 | Hydraulic Data & Performance Curve



Selection

Series Standby Pumps
e-SVE No Standby Pump

Name
10SVE2 1ph 3600rpm

Stages
2

Frequency
60 Hz

Acceptance Grade
Manufacturer's Standard

System Type
Single Pump

Operating Pumps
1

Fluid and Operating Conditions

Fluid Type Density
Water 62.43 lb/ft³

Fluid Temperature Dynamic Viscosity
39.2 °F 1.57 cP

Specific Gravity Fluid Vapor Pressure
1 0.12 psi

Atmospheric Pressure
14.7 psi

Elevation
0 ft

Ambient Temperature
68 °F

NPSH Available
33.68 ft

Submergence
0 ft

Design Curve

Rated Speed BEP Flow
3,600 RPM 52.86 USgpm

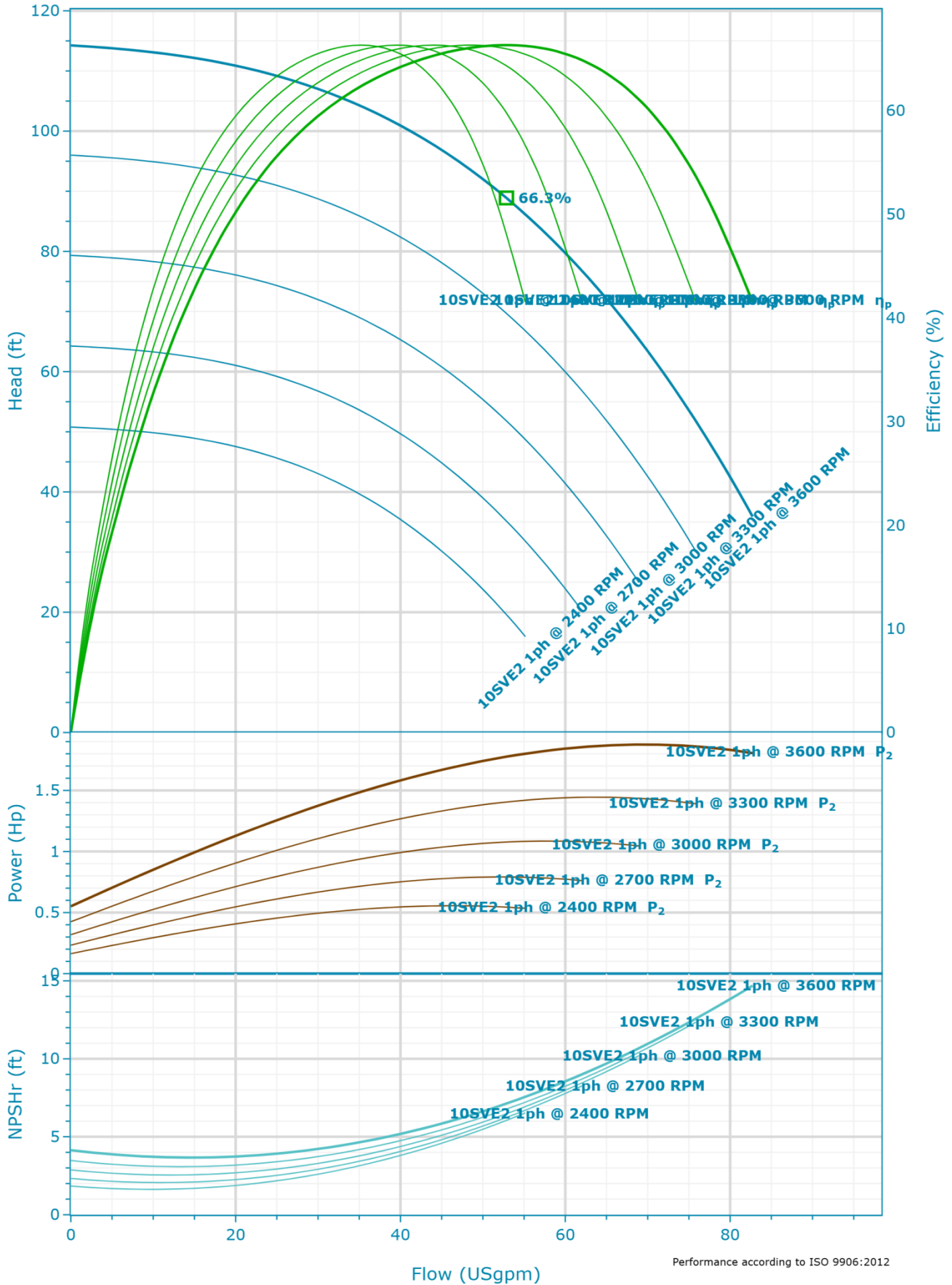
Max Flow BEP Head
82.73 USgpm 88.89 ft

H@QMin Max Operating Pressure
114.25 ft 49.46 psi

H@QMax Max P2
35.9 ft 1.88 Hp

BEP
66.34 %

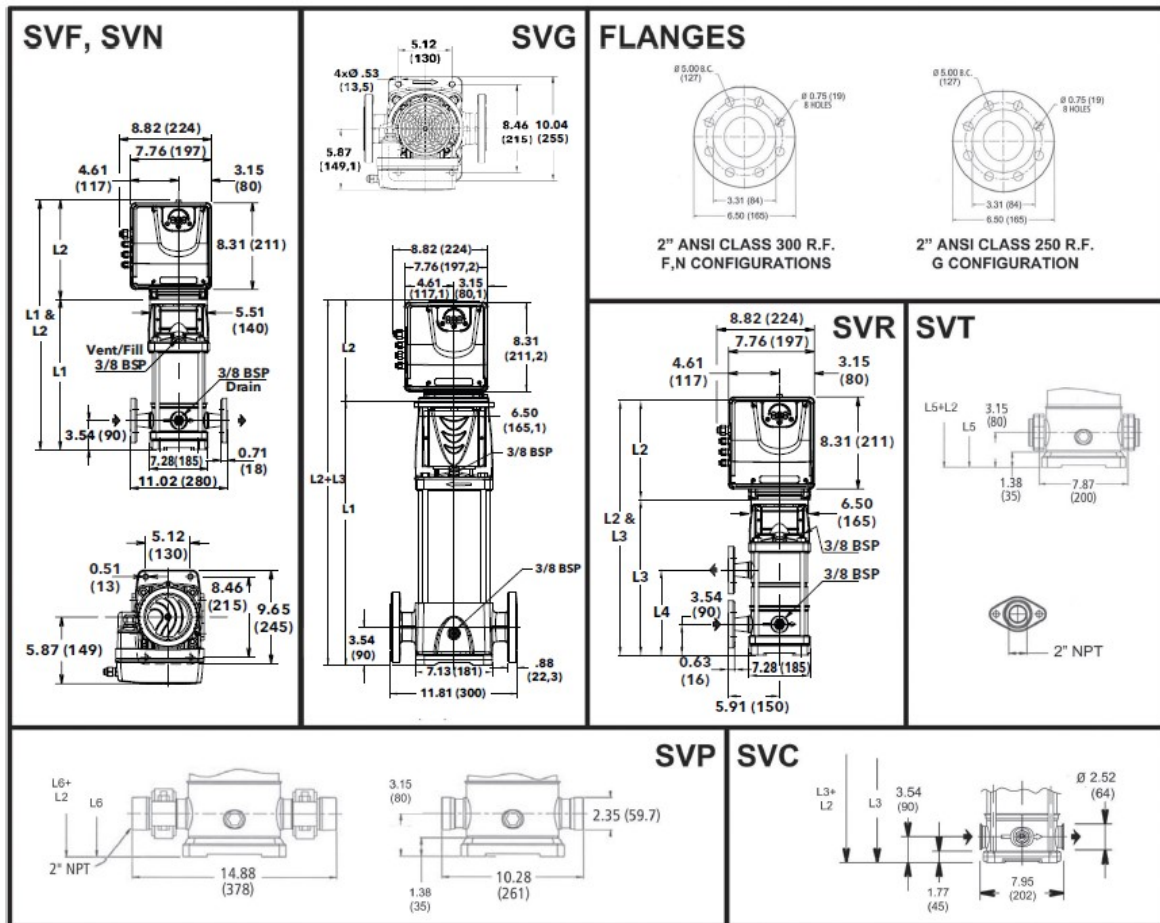
10SVE2GE3LM0 | Variable Speed Curve



Performance according to ISO 9906:2012

10SVE2GE3LM0 | Dimensional Data & Drawing

**10 SVE SERIES - SINGLE PHASE VERSION
DIMENSIONS AND WEIGHTS**



All dimensions are in inches (mm).

Drawing is preliminary and is subject to change.

Dimensions

Dimension	Description	Value
L1	D1 (MAX.)	17.01 in
L2	NEMA Frame	9.53 in
L5	Weight (Pump Only)	38 lbs
L6	Weight (Motor Only)	19.4 lbs
L6+L2	Total Weight	57 lbs

Company	PFC Equipment
Contact	Kelly Kresa
Phone No.	7633915856
Email	kkresa@pfcequip.com