



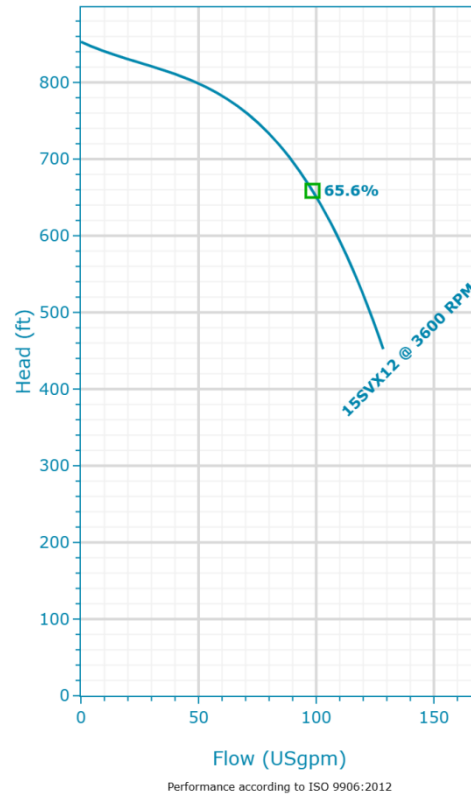
**15SVX12GMAXX0**

Created On: 1/29/26

## 15SVX12GMAXX0 | Configuration Summary



e-SVX Smart Pumps integrate decades of expertise and know-how in pump technology to bring the right combination of motors, variable speed drive and hydraulic pumps in one comprehensive, highly efficient package. The e-SVX is built to withstand a variety of mechanically aggressive and high temperature liquids such as glycol, oils/solvents, and more. It features 10 different sizes and each can be specially configured for a wide range of environments. It's an ideal solution for residential, light commercial, industrial, agricultural, and OEM water supply as well as HVAC applications.



### PUMP

|               |           |
|---------------|-----------|
| Installation  | Pump Size |
| Complete Pump | 1-22SV    |

### MATERIALS

|                               |                            |
|-------------------------------|----------------------------|
| Pump Body Material            | Impeller Material          |
| Cast Iron (ASTM Class 35/40B) | Stainless Steel (AISI 304) |

### SEAL

|                  |                                 |
|------------------|---------------------------------|
| Type of Seal     | Rotating Face                   |
| Mechanical Seals | Carbon                          |
|                  | Stationary Face                 |
|                  | Silicon Carbide Graphite Filled |
|                  | Elastomers                      |
|                  | Viton                           |
|                  | Spring                          |
|                  | 316 SS                          |
|                  | Metal Components                |
|                  | 316 SS                          |

### STANDARD OPTIONS

|                       |                          |
|-----------------------|--------------------------|
| Special Configuration | Additional Configuration |
| Please Select         | Please Select            |

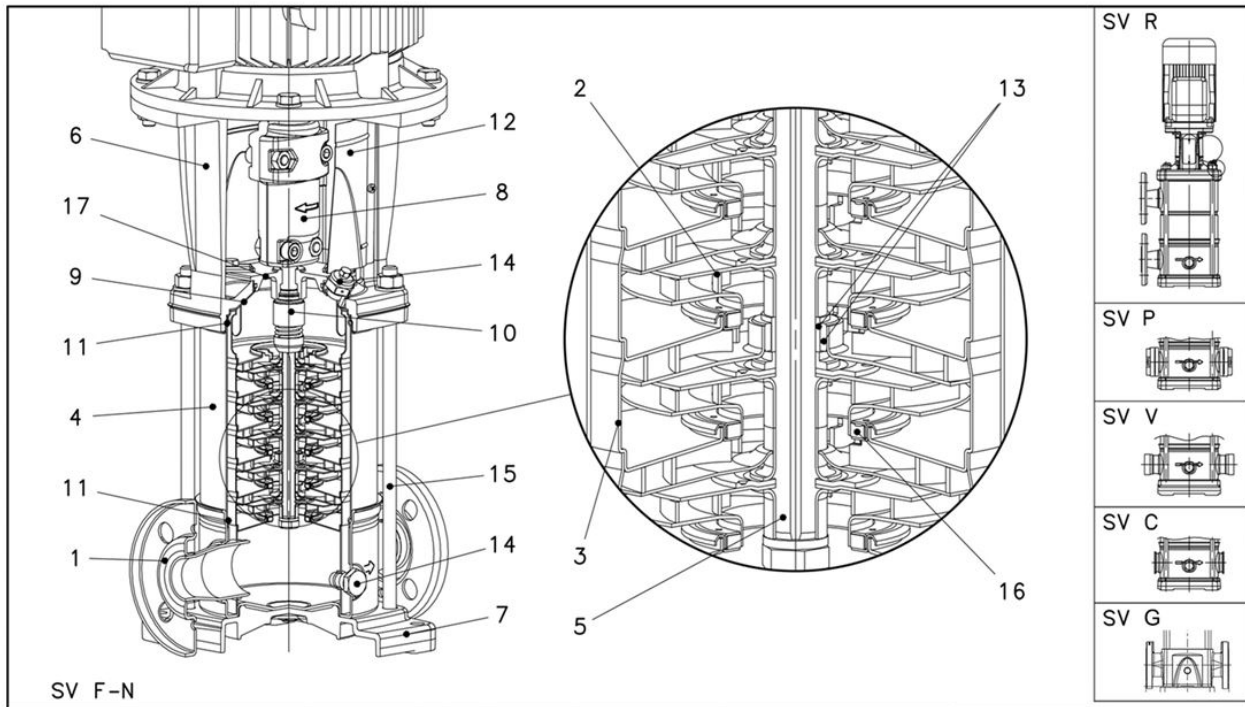
### MOTOR

|                |           |
|----------------|-----------|
| Frequency (Hz) | Power     |
| 60             | 25 hp     |
| Poles          | Phase (~) |
| 4              | 3         |
| Enclosure      | Voltage   |
| TEFC           | 380-480 V |
| Frame Size     |           |
| 250TC          |           |

### FLANGE

|  |
|--|
| Flange                                   |
| [G] = Round Flanges (AISI 304/Cast Iron) |

## 15SVX12GMAXX0 | Product Details



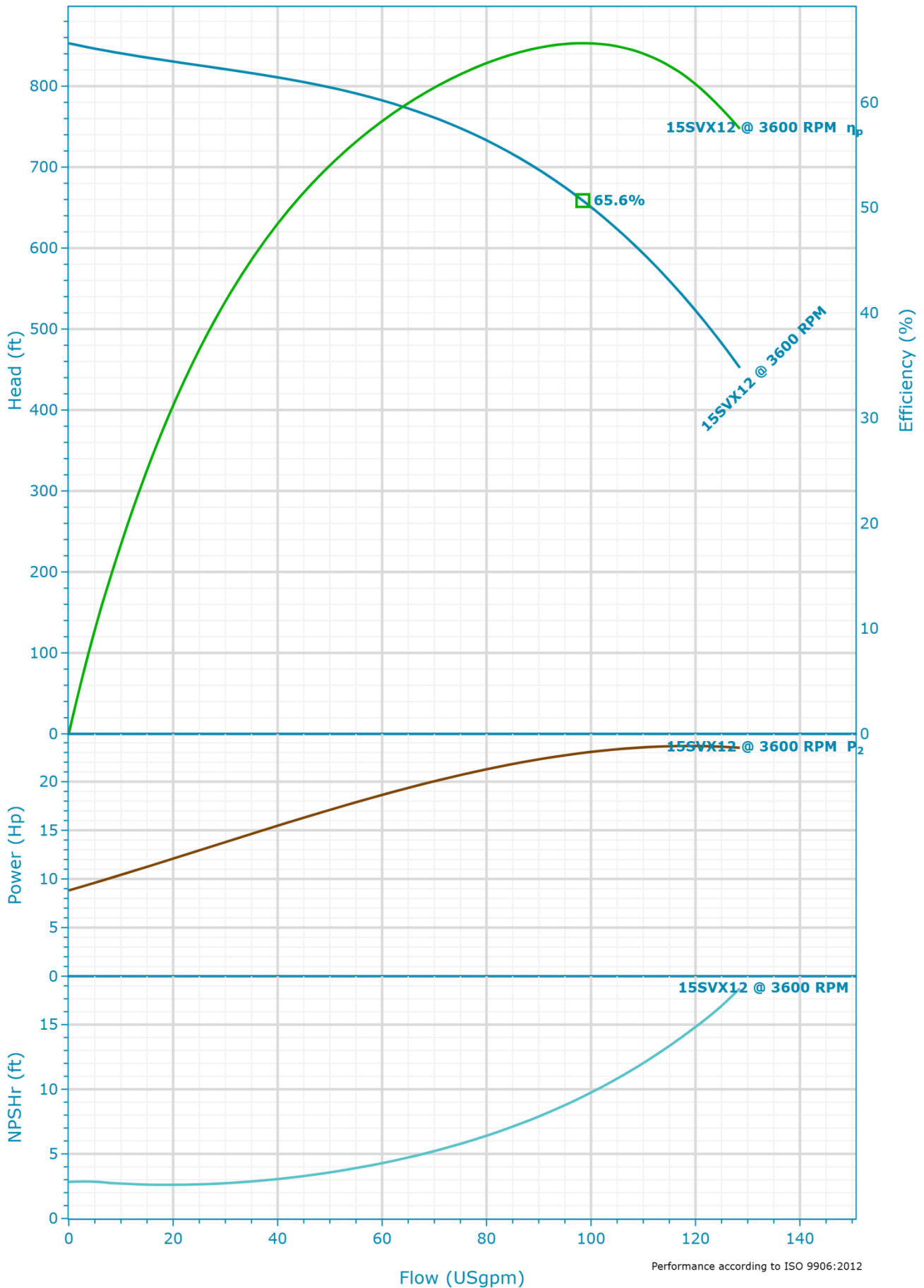
### Construction Materials

|   |  |  |  |
|---|--|--|--|
| <b>Pump Body (1)</b><br>Cast Iron (G) / ASTM Class 35/40B | <b>Shaft (5)</b><br>Stainless Steel / AISI 316       | <b>Mechanical Seal (10)</b><br>See Mechanical Section    | <b>Fill/Drain Plugs (14)</b><br>Stainless Steel / AISI 316       |
| <b>Impeller (2)</b><br>Stainless Steel / AISI 304         | <b>Adapter (6)</b><br>Cast Iron / ASTM Class 35/40B  | <b>Elastomers (11)</b><br>Viton (opt . EPDM)             | <b>Tie Rods (15)</b><br>Carbon Steel / Zinc Plated / A29 Gr.1045 |
| <b>Diffuser (3)</b><br>Stainless Steel / AISI 304         | <b>Coupling (8)</b><br>Aluminum / A384.0-F           | <b>Coupling Guard (12)</b><br>Stainless Steel / AISI 304 | <b>Wear Ring (16)</b><br>PPS                                     |
| <b>Casing (4)</b><br>Stainless Steel / AISI 316L          | <b>Seal Plate (9)</b><br>Stainless Steel / AISI 316L | <b>Shaft Sleeve and Bushing (13)</b><br>Tungsten Carbide | <b>Seal Gland (17)</b><br>Stainless Steel / AISI 316             |

### Motor

|                             |                                   |                         |                            |
|-----------------------------|-----------------------------------|-------------------------|----------------------------|
| <b>Enclosure</b><br>TEFC    | <b>Rated Voltage</b><br>380-480 V | <b>Phase</b><br>3       | <b>SLA</b><br>33.5-28.6    |
| <b>Rated Power</b><br>25 Hp | <b>Frame Size</b><br>250TC        | <b>FLA</b><br>33.5-28.6 | <b>Service Factor</b><br>1 |

### 15SVX12GMAXX0 | Hydraulic Data & Performance Curve



**Selection**

Series Standby Pumps  
e-SVX No Standby Pump

Name  
15SVX12 3600rpm

Stages  
12

Frequency  
60 Hz

Acceptance Grade  
Manufacturer's Standard

System Type  
Single Pump

Operating Pumps  
1

**Fluid and Operating Conditions**

Fluid Type Density  
Water 62.43 lb/ft<sup>3</sup>

Fluid Temperature Dynamic Viscosity  
39.2 °F 1.57 cP

Specific Gravity Fluid Vapor Pressure  
1 0.12 psi

Atmospheric Pressure  
14.7 psi

Elevation  
0 ft

Ambient Temperature  
68 °F

NPSH Available  
33.68 ft

Submergence  
0 ft

**Design Curve**

Rated Speed BEP Flow  
3,600 RPM 98.44 USgpm

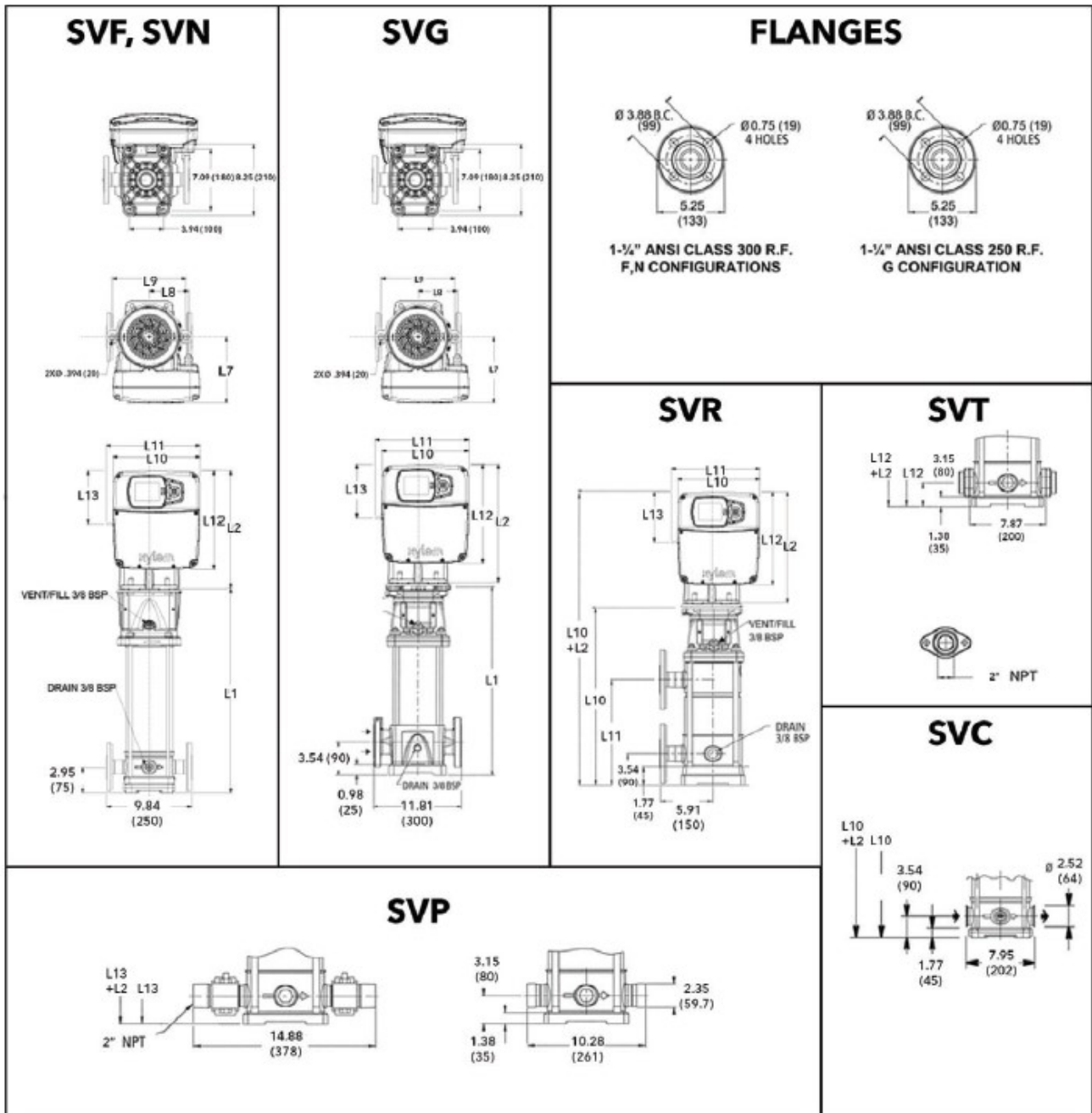
Max Flow BEP Head  
128.5 USgpm 658.64 ft

H@QMin Max Operating Pressure  
853 ft 369.26 psi

H@QMax Max P2  
452.1 ft 23.67 Hp

BEP  
65.62 %

**15SVX12GMAXX0** | Dimensional Data & Drawing



Drawing is preliminary and is subject to change.

**Dimensions**

| Dimension | Value    | Dimension | Value    | Dimension           | Value    | Total Weight |
|-----------|----------|-----------|----------|---------------------|----------|--------------|
| L1        | 38.83 in | L5        | 15.72 in | L9                  | 12.5 in  | 263 lbs      |
| L2        | 19.29 in | L6        | 9.57 in  | L13                 | 38.44 in |              |
| L3        | 14.25 in | L7        | 12.17 in | Weight (Pump Only)  | 89 lbs   |              |
| L4        | 15.16 in | L8        | 6.59 in  | Weight (Motor Only) | 174 lbs  |              |

|                  |                    |
|------------------|--------------------|
| <b>Company</b>   | PFC Equipment      |
| <b>Contact</b>   | Corey Nath         |
| <b>Phone No.</b> | 7634257890         |
| <b>Email</b>     | cnath@pfcequip.com |