



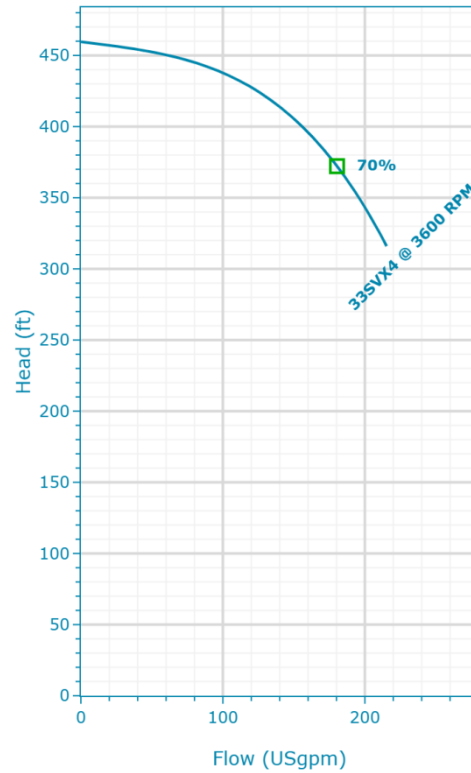
**33SVX40GMAXX0**

Created On: 1/21/26

## 33SVX40GMAXX0 | Configuration Summary



e-SVX Smart Pumps integrate decades of expertise and know-how in pump technology to bring the right combination of motors, variable speed drive and hydraulic pumps in one comprehensive, highly efficient package. The e-SVX is built to withstand a variety of mechanically aggressive and high temperature liquids such as glycol, oils/solvents, and more. It features 10 different sizes and each can be specially configured for a wide range of environments. It's an ideal solution for residential, light commercial, industrial, agricultural, and OEM water supply as well as HVAC applications.



### PUMP

Installation	Pump Size
Complete Pump	33-92SV

### MATERIALS

Pump Body Material	Impeller Material
Cast Iron (ASTM Class 35/40B)	Stainless Steel

### SEAL

Type of Seal	Rotating Face
Mechanical Seals	Carbon
	Stationary Face
	Silicon Carbide Graphite Filled
	Elastomers
	Viton
	Spring
	316 SS
	Metal Components
	316 SS

### STANDARD OPTIONS

Special Configuration	Additional Configuration
Please Select	Please Select

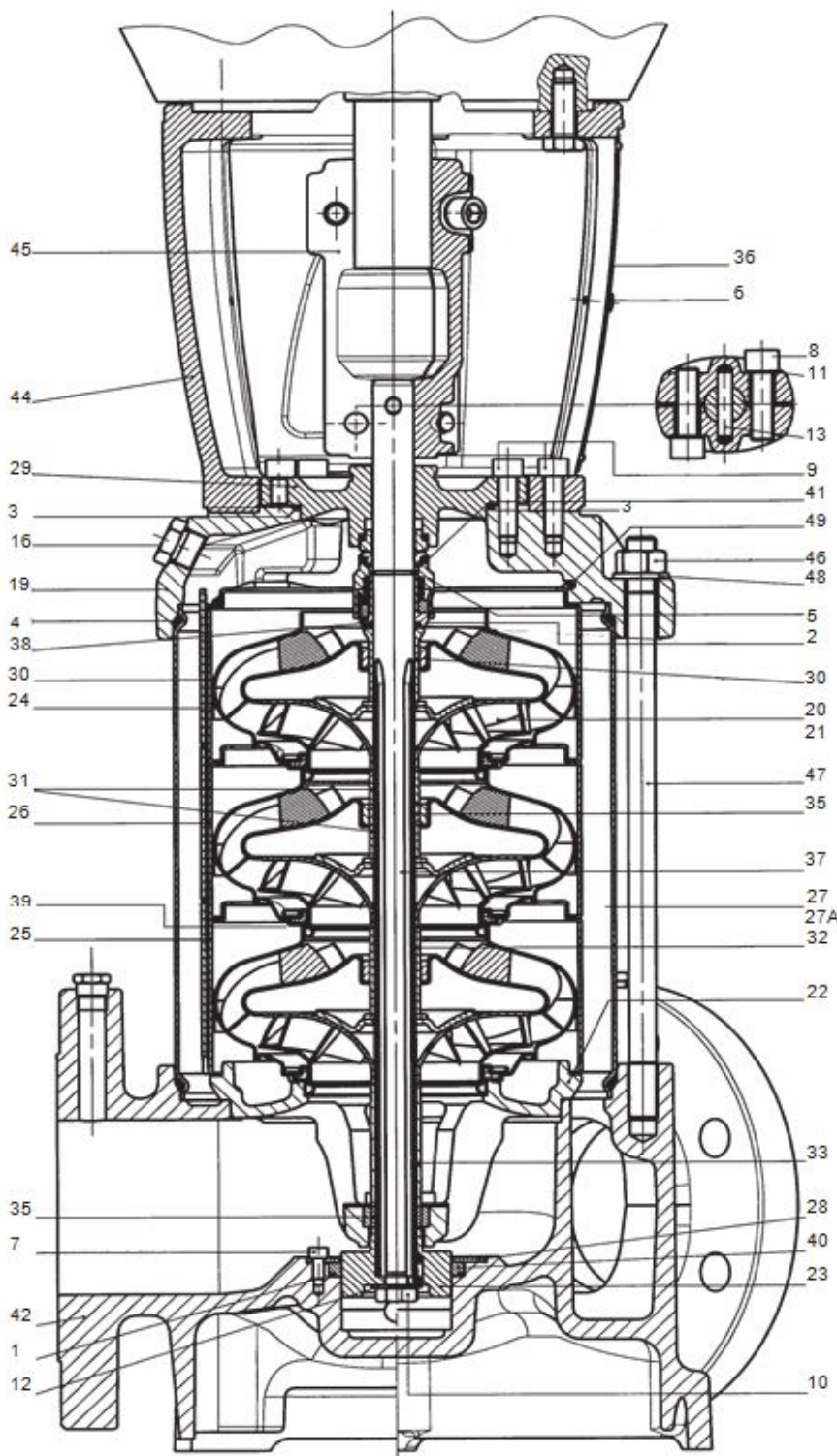
### MOTOR

Frequency (Hz)	Power
60	25 hp
Poles	Phase (~)
4	3
Enclosure	Voltage
TEFC	380-480 V
Frame Size	
250TC	

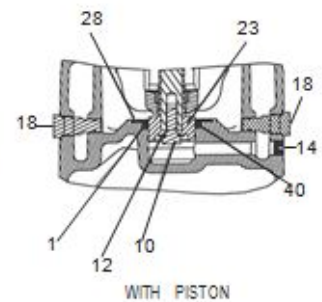
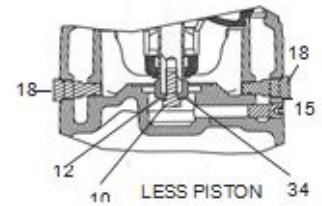
### FLANGE

Flange
[G] = Round Flanges (AISI 304/Cast Iron)

**33SVX40GMAXX0** | Product Details



**SV G-N**



**Construction Materials**

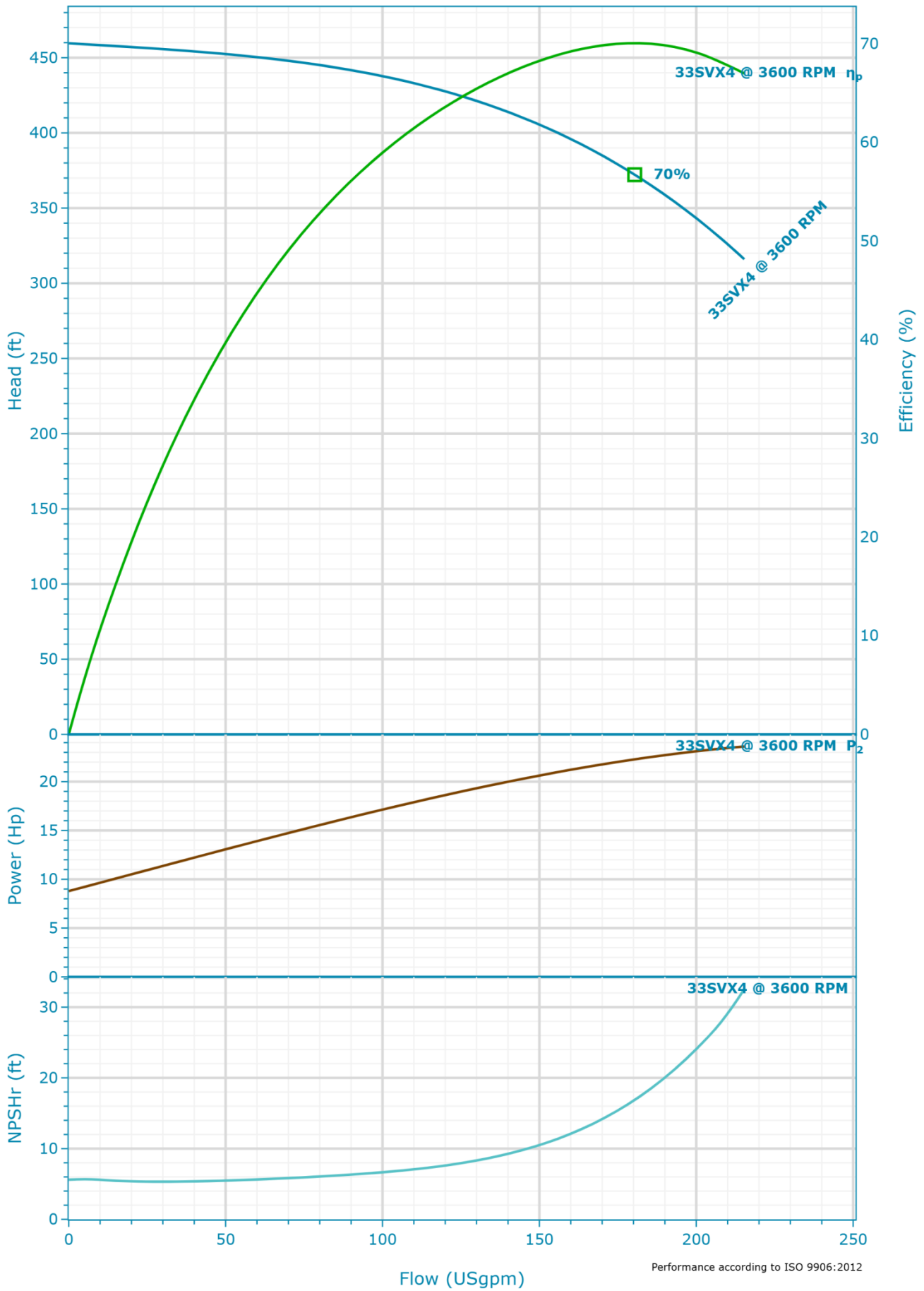
<b>O-Ring, Piston Seal (1)</b> Viton (std) EPDM (opt)	<b>Mechanical Seal (5)</b> See Mechanical Section	<b>Screw, Coupling (8)</b> Zinc Plated Steel / B363	<b>Washer, Impeller (12)</b> Stainless Steel / A193-316
<b>O-Ring, Mechanical Seal Sleeve (2)</b> See Mechanical Section	<b>Cartridge Seal (not shown) (5A)</b> See Seal Materials Chart for Complete Detail	<b>Screw, MA and Seal Housing (9)</b> Zinc Plated Steel / B633	<b>Pin, Coupling (13)</b> Carbon Steel / A108
<b>O-Ring, Seal housing (3)</b> Viton (std) EPDM (opt)	<b>Screw, Guard (6)</b> Stainless Steel / A193-304	<b>Screw, Impeller (10)</b> Stainless Steel / A193-316	<b>Plug, with Piston (14)</b> Stainless Steel / A193-316
<b>O-Ring, Sleeve (4)</b> Viton (std) EPDM (opt)	<b>Screw, Piston Holding Disc (7)</b> Stainless Steel / A193-316	<b>Washer, Coupling (11)</b> Carbon Steel / A108	<b>Plug, without Piston (15)</b> Stainless Steel / A193-316

<b>Plug, Fill (16)</b> Stainless Steel/O-Ring / A193-316	<b>Impeller, Full Diameter (20)</b> Stainless Steel / A193-316L	<b>Diffuser, Final (24)</b> Stainless Steel / A193-316L	<b>Outer Sleeve, 40 Bar (27A)</b> Stainless Steel / A193-316L
<b>Plug, Vent (not shown) (17)</b> Stainless Steel/O-Ring / A193-316	<b>Impeller, Reduced Diameter (21)</b> Stainless Steel / A193-316L	<b>Diffuser with Carbon Bushing (25)</b> Stainless Steel / A193-316L	<b>Holding Disc, Piston Seal (28)</b> Stainless Steel / A193-316L
<b>Plug, Drain (18)</b> Stainless Steel/O-Ring / A193-316	<b>Lower Bearing Assembly (22)</b> SS/Cast Iron / A193-316L/A48 Class 35	<b>Diffuser with Tungsten Bushing (26)</b> Stainless Steel / A193-316L	<b>Seal Housing (29)</b> Cast Iron / A48 Class 35
<b>Pump Head (19)</b> Cast Iron / A48 Class 35	<b>Piston (23)</b> Duplex SS / A182-F51	<b>Outer Sleeve, 25 Bar (27)</b> Stainless Steel / A193-316L	<b>Spacer, Impeller Final (30)</b> Stainless Steel / A193-316
<b>Spacer, Shaft Bushing (31)</b> Stainless Steel / A193-316	<b>Tungsten Carbide Bushing (35)</b> Tungsten Carbide	<b>Wear Ring, Impeller (39)</b> PPS Glass Filled	<b>Motor Adapter Plate (not shown) (43)</b> Cast Iron / A48 Class 25
<b>Spacer, Impeller (32)</b> Stainless Steel / A193-316	<b>Coupling Guard (36)</b> Stainless Steel / A193-304	<b>Piston Seal (40)</b> Impregnated Carbon	<b>Motor Adapter (44)</b> Cast Iron / A48 Class 25
<b>Spacer, Impeller Lower (66-92SV) (33)</b> Stainless Steel / A193-316	<b>Shaft (37)</b> Duplex SS / A182-F51	<b>Stop Ring, Impeller (41)</b> Stainless Steel / A193-316	<b>Coupling, Half (45)</b> Cast Iron / A48 Class 25
<b>Bushing, Non-Piston (34)</b> Stainless Steel / A193-316	<b>Mechanical Seal Shaft Sleeve (38)</b> Stainless Steel / A193-316	<b>Pump Body (42)</b> Cast Iron / A48 Class 35	<b>Nut, Tie-Rod (46)</b> Zinc Plated Steel / B633
			<b>Tie-Rod (47)</b> Zinc Plated Steel / B633
			<b>Washer, Tie-Rod (48)</b> Zinc Plated Steel / B633
			<b>Spring, Final Diffuser (49)</b> Stainless Steel / A193-316

**Motor**

<b>Enclosure</b> TEFC	<b>Rated Voltage</b> 380-480 V	<b>Phase</b> 3	<b>SLA</b> 33.5-28.6
<b>Rated Power</b> 25 Hp	<b>Frame Size</b> 250TC	<b>FLA</b> 33.5-28.6	<b>Service Factor</b> 1

### 33SVX40GMAXX0 | Hydraulic Data & Performance Curve



**Selection**

Series Standby Pumps  
e-SVX No Standby Pump

Name  
33SVX4 3600rpm

Stages  
4

Frequency  
60 Hz

Acceptance Grade  
Manufacturer's Standard

System Type  
Single Pump

Operating Pumps  
1

**Fluid and Operating Conditions**

Fluid Type Density  
Water 62.43 lb/ft<sup>3</sup>

Fluid Temperature Dynamic Viscosity  
39.2 °F 1.57 cP

Specific Gravity Fluid Vapor Pressure  
1 0.12 psi

Atmospheric Pressure  
14.7 psi

Elevation  
0 ft

Ambient Temperature  
68 °F

NPSH Available  
33.68 ft

Submergence  
0 ft

**Design Curve**

Rated Speed BEP Flow  
3,600 RPM 180.38 USgpm

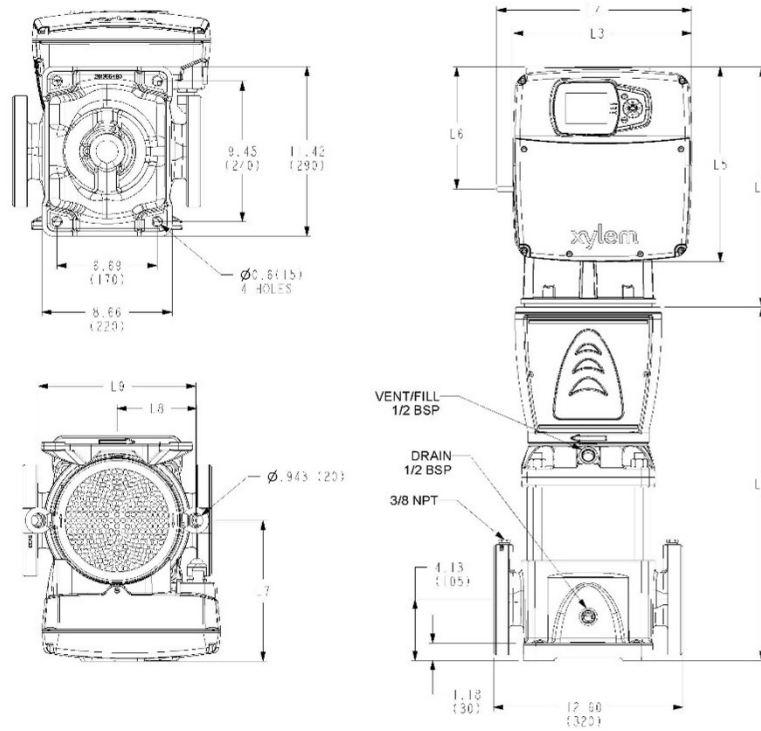
Max Flow BEP Head  
215.3 USgpm 372.18 ft

H@QMin Max Operating Pressure  
459.6 ft 198.96 psi

H@QMax Max P2  
316 ft 23.6 Hp

BEP  
70.05 %

## 33SVX40GMAXX0 | Dimensional Data & Drawing



Drawing is preliminary and is subject to change.

### Dimensions

<b>L1</b>	<b>L5</b>	<b>L9</b>
29.5 in	15.72 in	12.5 in
<b>L2</b>	<b>L6</b>	<b>Weight (Pump Only)</b>
19.29 in	9.57 in	161 lbs
<b>L3</b>	<b>L7</b>	<b>Weight (Motor Only)</b>
14.25 in	12.17 in	174 lbs
<b>L4</b>	<b>L8</b>	<b>Total Weight</b>
15.16 in	6.59 in	335 lbs

<b>Company</b>	PFC Equipment
<b>Contact</b>	Corey Nath
<b>Phone No.</b>	7634257890
<b>Email</b>	cnath@pfcequip.com