



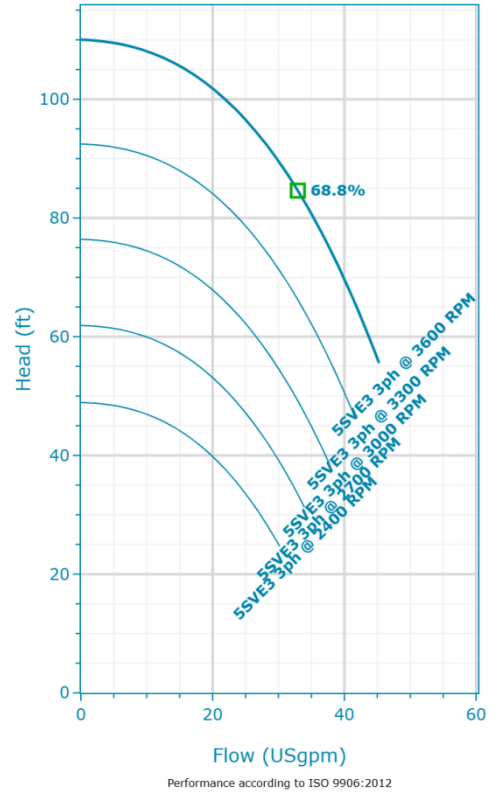
5SVE3GC4YM0

Created On: 1/8/26

5SVE3GC4YM0 | Configuration Summary



e-SVE series is equipped with an intelligent control that optimizes hydraulic performance while minimizing waste. It is a pre-programmed package combining the e-SV multi-stage pump with a Xylem Smart Motor – an “ultra-premium” level IES permanent magnet motor with a wide range of monitoring, control and safety features.



PUMP

Installation
Complete Pump

MATERIALS

Pump Body Material Cast Iron (ASTM Class 35/40B)	Impeller Material Stainless Steel (AISI 304)
--	--

SEAL

Type of Seal Mechanical Seals	Rotating Face Carbon
	Stationary Face Silicon Carbide Graphite Filled
	Elastomers Viton
	Spring 316 SS
	Metal Component 316 SS

STANDARD OPTIONS

Special Configuration
Please Select

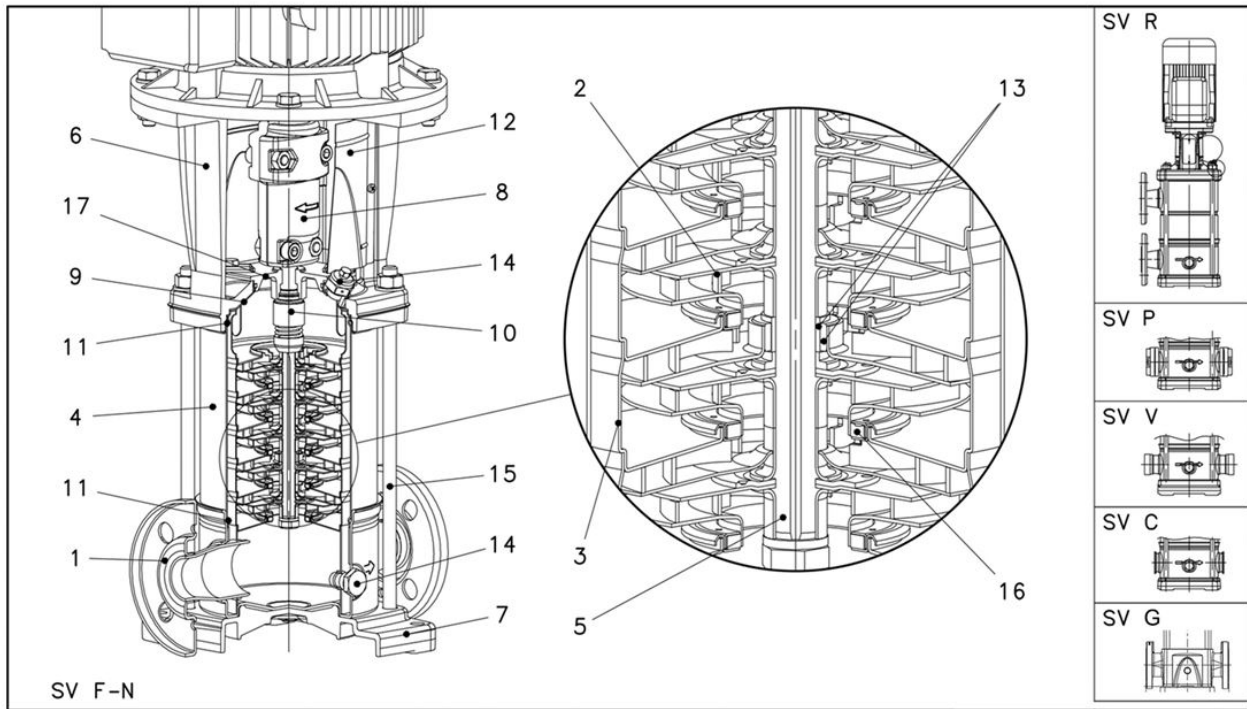
MOTOR

Poles 2	Power 1 hp
Enclosure TEFC	Phase (~) 3
	Voltage 208-240/380-460 V

FLANGE

Flange
[G] = Round Flanges (AISI 304/Cast Iron)

5SVE3GC4YM0 | Product Details



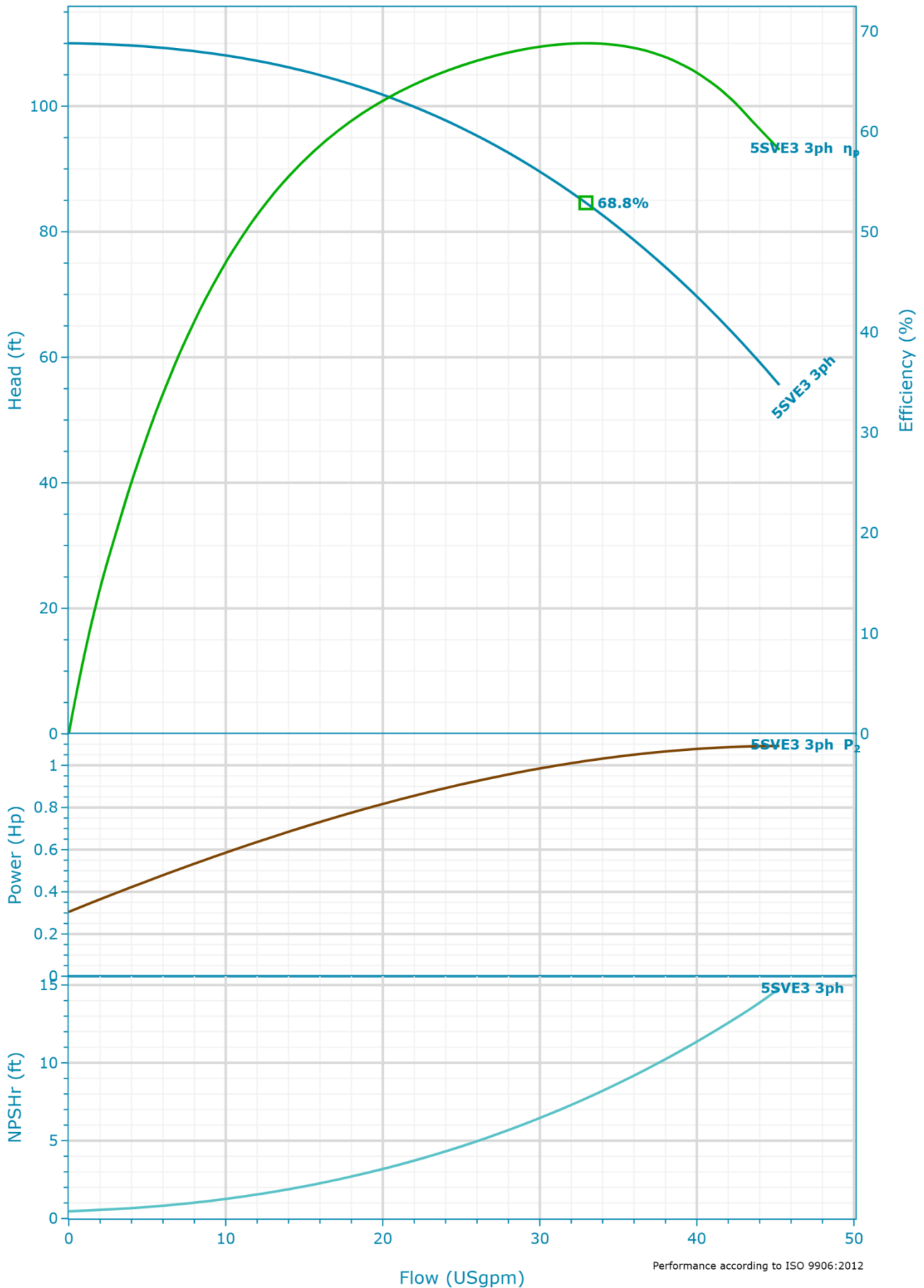
Construction Materials

Pump Body (1) Cast Iron (ASTM Class 35/40B)	Shaft (5) Stainless Steel (AISI 316)	Seal Plate (9) Stainless Steel (AISI 316L)	Fill/Drain Plugs (14) Stainless Steel (AISI 316)
Impeller (2) Stainless Steel (AISI 304)	Adapter (6) Cast Iron (ASTM Class 35/40B)	Elastomers (11) Refer Mechanical Seals	Tie Rods (15) Carbon Steel / Zinc Plated (A29 Gr.1045)
Diffuser (3) Stainless Steel (AISI 304)	Base (7) N/A	Coupling Guard (12) Stainless Steel (AISI 304)	Wear Ring (16) PPS
Casing (4) Stainless Steel (AISI 316L)	Coupling (8) Aluminum (A384.0-F)	Shaft Sleeve and Bushing (13) Tungsten Carbide	Seal Gland (17) Stainless Steel (AISI 316)

Motor

Enclosure TEFC	Rated Power 1 Hp	Phase 3	SLA 3.74-3.28/2.43-2.20
Speed 3600.0 rpm	Rated Voltage 208-240/380-460 V	FLA 3.74-3.28/2.43-2.20	

5SVE3GC4YM0 | Hydraulic Data & Performance Curve



Performance according to ISO 9906:2012

Selection

Series	Standby Pumps
e-SVE	No Standby Pump
Name	
5SVE3 3ph 3600rpm	
Stages	
3	
Frequency	
60 Hz	
Acceptance Grade	
Manufacturer's Standard	
System Type	
Single Pump	
Operating Pumps	
1	

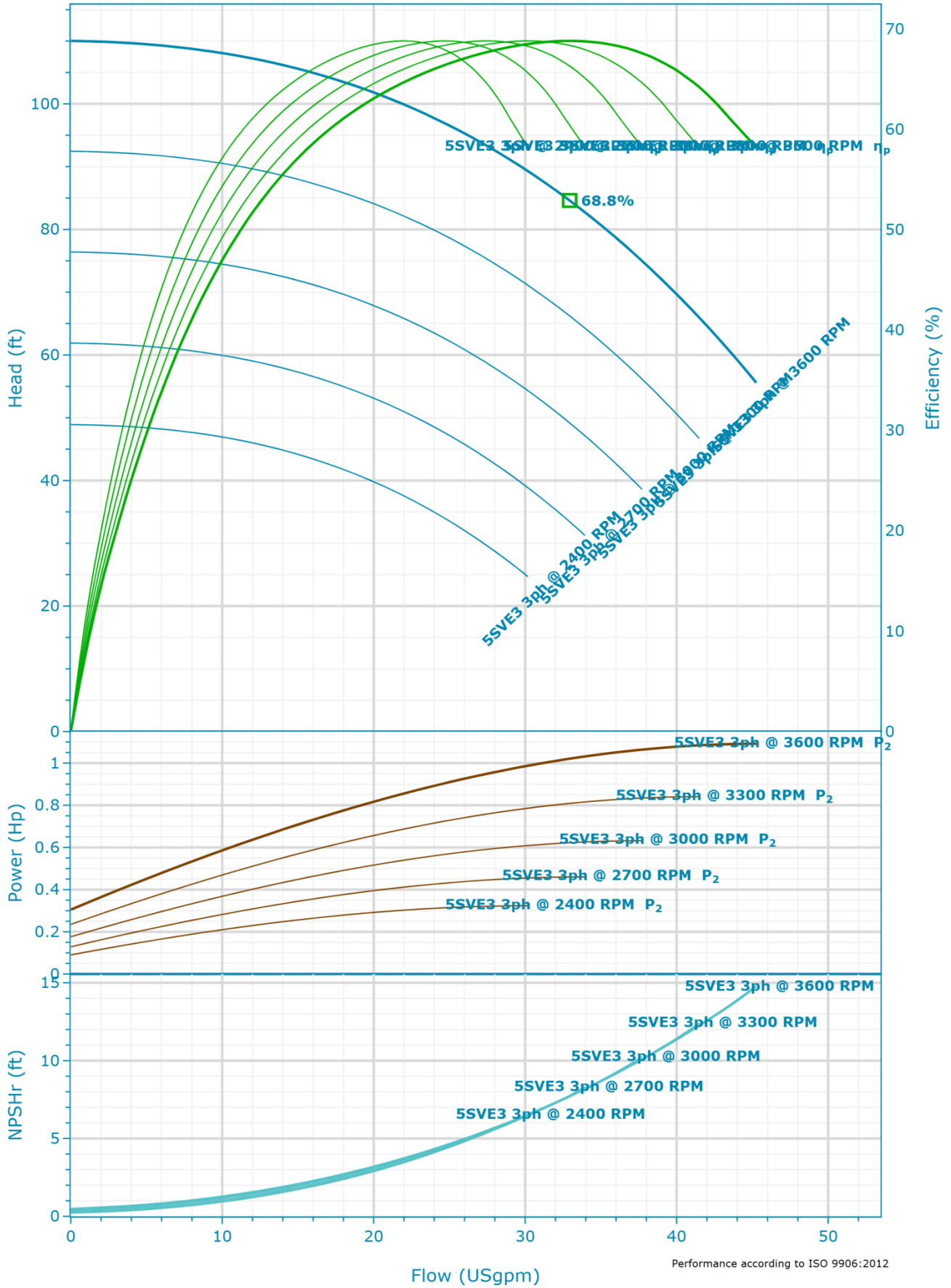
Fluid and Operating Conditions

Fluid Type	Density
Water	62.43 lb/ft ³
Fluid Temperature	Dynamic Viscosity
39.2 °F	1.57 cP
Specific Gravity	Fluid Vapor Pressure
1	0.12 psi
	Atmospheric Pressure
	14.7 psi
	Elevation
	0 ft
	Ambient Temperature
	68 °F
	NPSH Available
	33.68 ft
	Submergence
	0 ft

Design Curve

Rated Speed	BEP Flow
3,600 RPM	32.93 USgpm
Max Flow	BEP Head
45.26 USgpm	84.6 ft
H@QMin	Max Operating Pressure
110.02 ft	47.63 psi
H@QMax	Max P2
55.57 ft	1.09 Hp
BEP	
68.8 %	

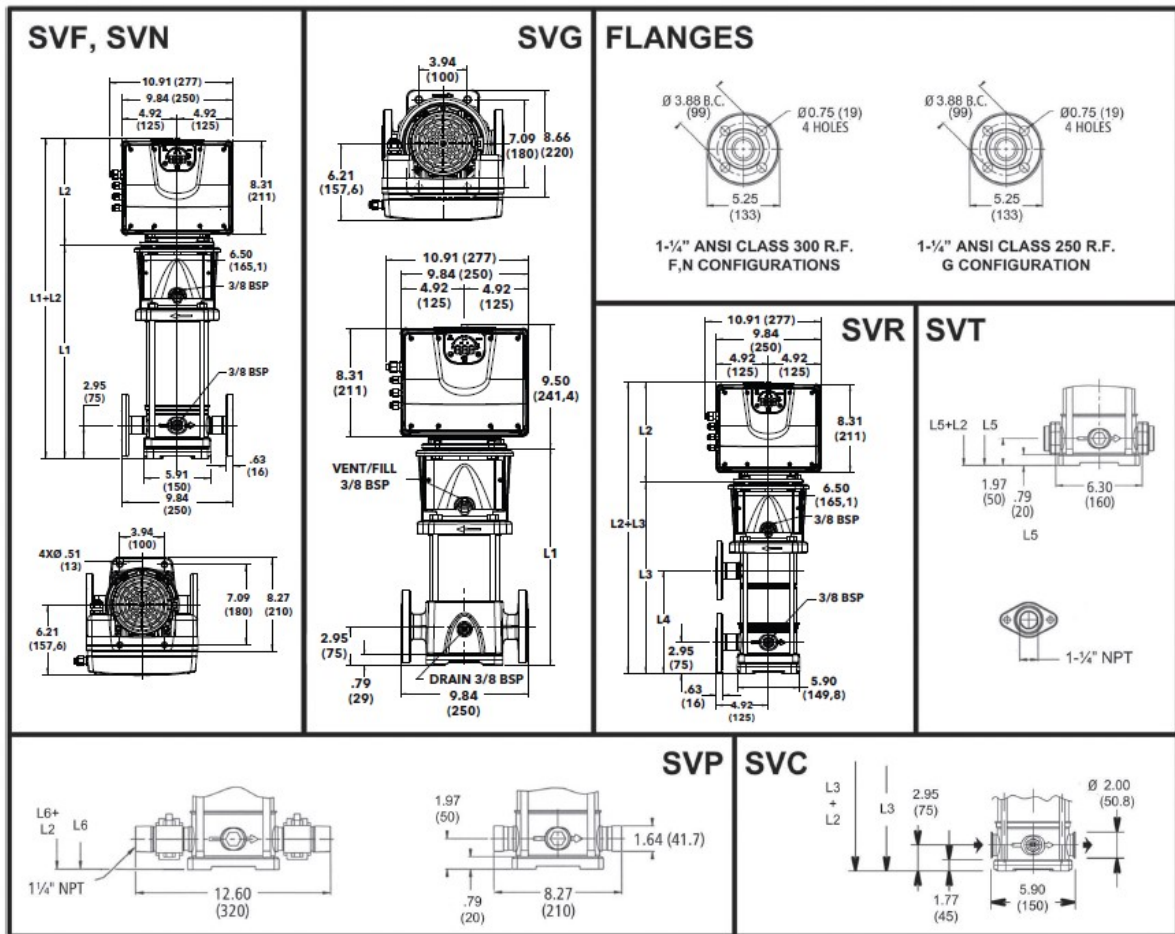
5SVE3GC4YM0 | Variable Speed Curve



Performance according to ISO 9906:2012

5SVE3GC4YM0 | Dimensional Data & Drawing

**1, 3, 5SVE SERIES - THREE PHASE VERSION
DIMENSIONS AND WEIGHTS**



All dimensions are in inches (mm).

Drawing is preliminary and is subject to change.

Dimensions

Dimension	Description	Weight
L1	D1 (MAX.)	Total Weight
14.08 in	5.2 in	54 lbs
L2	NEMA Frame	
9.53 in	90R	
L5	Weight (Pump Only)	
12.88 in	26 lbs	
L6	Weight (Motor Only)	
12.88 in	27.78 lbs	

Company	PFC Equipment
Contact	Kelly Kresa
Phone No.	7633915856
Email	kkresa@pfcequip.com