

# Submittal Data

|                       |                  |             |
|-----------------------|------------------|-------------|
| PROJECT:              | UNIT TAG:        | QUANTITY:   |
| REPRESENTATIVE: _____ | TYPE OF SERVICE: | DATE: _____ |
| ENGINEER:             | SUBMITTED BY:    | DATE:       |
| CONTRACTOR:           | APPROVED BY:     | DATE:       |
|                       | ORDER NO.:       | DATE:       |

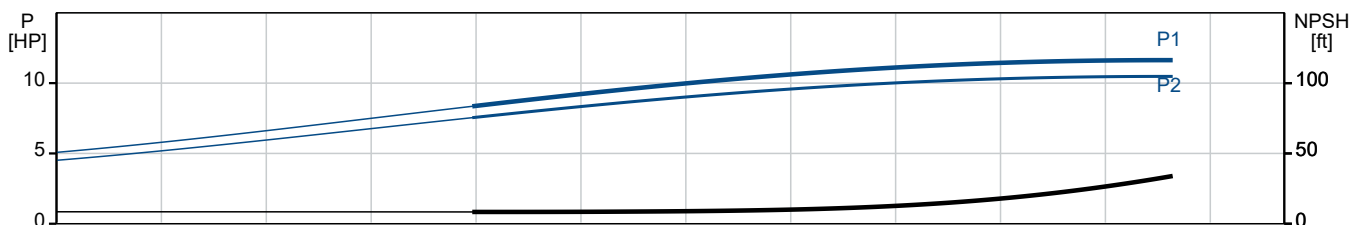
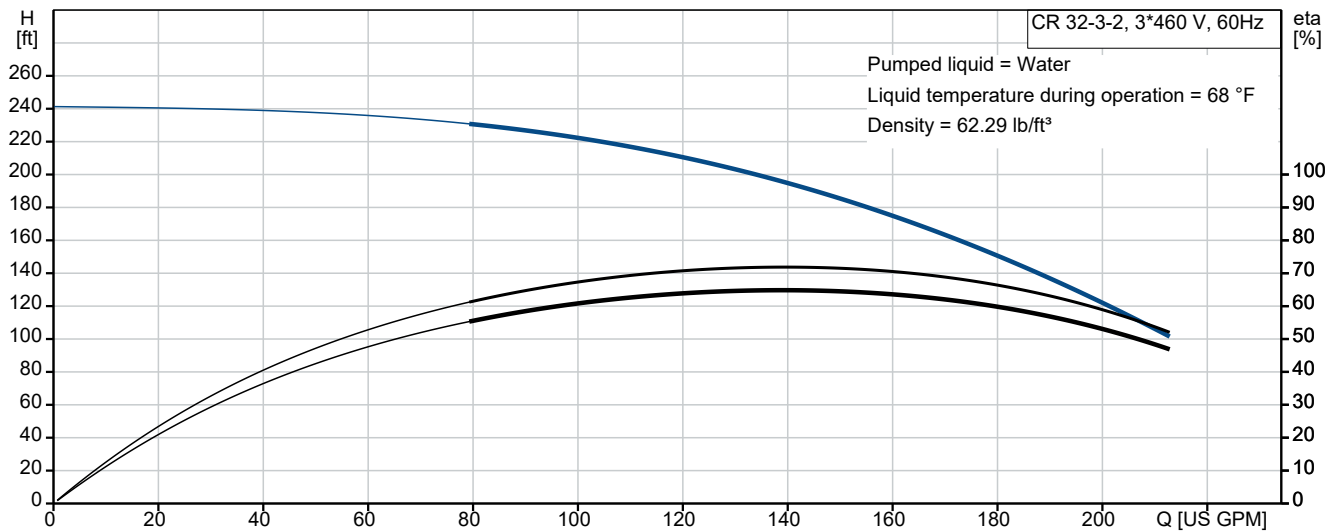


## CR 32-3-2 A-G-A-E-HQQE

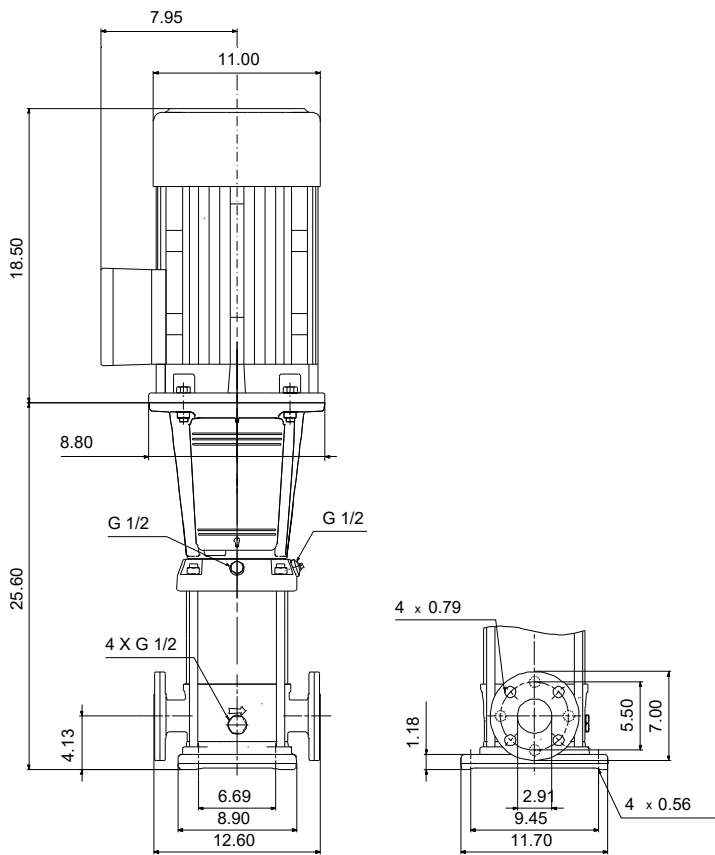
Vertical, multistage centrifugal pump with suction and discharge ports on the same level. The pump head and base are in cast iron - all other wetted parts are in stainless steel (EN 1.4301)

Note! Product picture may differ from actual product

| Conditions of Service |       | Pump Data                    |                  | Motor Data        |           |
|-----------------------|-------|------------------------------|------------------|-------------------|-----------|
| Liquid:               | Water | Max pressure at stated temp: | 232 psi / 250 °F | Rated power - P2: | 10 HP     |
| Temperature:          | 68 °F | Liquid temperature range:    | -22 .. 248 °F    | Rated voltage:    | 230/460 V |
| Specific Gravity:     | 1.000 | Maximum ambient temperature: | 104 °F           | Mains frequency:  | 60 Hz     |
|                       |       | Shaft seal:                  | HQQE             | Enclosure class:  | IP55      |
|                       |       | Product number:              | 99917946         | Insulation class: | F         |
|                       |       |                              |                  | Motor protection: | NONE      |
|                       |       |                              |                  | Motor type:       | WEG       |
|                       |       |                              |                  | Eta 1/1:          | 90.2 %    |



# Submittal Data



## Materials:

Base: Cast iron  
EN 1563 EN-GJS-500-7  
ASTM A536 80-55-06

Impeller: Stainless steel  
AISI 304  
EN 1.4301

Material code: A  
Code for rubber: E

**Qty. Description**

1 CR 32-3-2 A-G-A-E-HQQE



Note! Product picture may differ from actual product

Product No.: [99917946](#)

Vertical, multistage centrifugal pump with inlet and outlet ports on same the level (inline). The pump head and base are in cast iron – all other wetted parts are in stainless steel. A cartridge shaft seal ensures high reliability, safe handling, and easy access and service. Power transmission is via a rigid split coupling. Pipe connection is via ANSI flanges.

The pump is fitted with a 3-phase, fan-cooled asynchronous motor.

**Further product details**

Steel, cast iron and aluminium components have an epoxy-based coating made in a cathodic electro-deposition (CED) process.

CED is a high-quality dip-painting process where an electrical field around the products ensures deposition of paint particles as a thin, well-controlled layer on the surface.

An integral part of the process is a pretreatment.

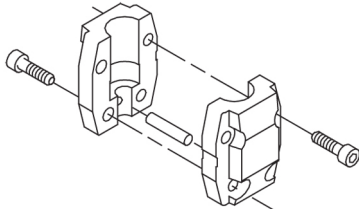
The entire process consists of these elements:

- 1) Alkaline-based cleaning.
- 2) Zinc phosphating.
- 3) Cathodic electro-deposition.
- 4) Curing to a dry film thickness 18-22 my m.

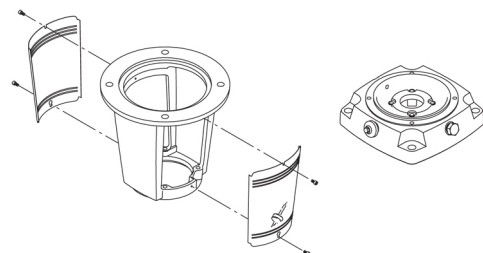
The colour code for the finished product is NCS 9000/RAL 9005.

**Pump**

A standard split coupling connects the pump and motor shaft. It is enclosed in the pump head/motor stool by means of two coupling guards.



The motor stool connects the pump head and motor. The pump head has a combined 1/2" priming plug and vent screw.



| Qty.                         | Description  |         |  |                |       |                           |               |                              |       |          |                          |
|------------------------------|--|---------|--|----------------|-------|---------------------------|---------------|------------------------------|-------|----------|--------------------------|
| 1                            | <p>The pump is fitted with a balanced O-ring seal unit with a rigid torque-transmission system. This seal type is assembled in a cartridge unit which makes replacement safe and easy. Due to the balancing, this seal type is suitable for high-pressure applications. The cartridge construction also protects the pump shaft from possible wear from a dynamic O-ring between pump shaft and shaft seal.</p> <p>Seal faces:</p> <ul style="list-style-type: none"> <li>• Rotating seal ring material: silicon carbide (SiC)</li> <li>• Stationary seat material: silicon carbide (SiC)</li> </ul> <p>This material pairing is used where higher corrosion resistance is required. The high hardness of this material pairing offers good resistance against abrasive particles.</p> <p>Secondary seal material: EPDM (ethylene-propylene rubber)<br/>EPDM has excellent resistance to hot water. EPDM is not suitable for mineral oils.</p> <div data-bbox="204 741 614 918" data-label="Image"> </div> <p>The shaft seal is retained in the pump head by a cover and screws. It can be replaced without removing the motor.</p> <p>The chambers and impellers are made of stainless-steel sheet. The chambers are provided with a PTFE neck ring offering improved sealing and high efficiency. The impellers have smooth surfaces, and the shape of the blades ensure a high efficiency.</p> <p>The base is made of cast iron. Both the inlet and the outlet side of the base have two pressure gauge tappings. The pump is secured to the foundation by four bolts through the base plate. The flanges are fastened to the base by means of locking rings.</p> <div data-bbox="204 1227 395 1415" data-label="Image"> </div> <p><b>Motor</b></p> <p>The motor is a totally enclosed, fan-cooled motor with principal dimensions to IEC and DIN standards. The motor is flange-mounted with free-hole flange (FF).</p> <p>Motor-mounting designation in accordance with IEC 60034-7: IM B 5 (Code I) / IM 3001 (Code II).</p> <p>Electrical tolerances comply with IEC 60034.</p> <p>The motor efficiency is classified as premium efficiency in accordance with EISA2007.</p> <p>The motor does not incorporate motor protection and must be connected to a motor-protective circuit breaker which can be manually reset. The motor-protective circuit breaker must be set according to the rated current of the motor (I1/1).</p> <p>The motor can be connected to a variable speed drive for adjustment of pump performance to any duty point. Grundfos CUE offers a range of variable speed drives. Please find more information in Grundfos Product Center.</p> <p><b>Technical data</b></p> <table data-bbox="201 1915 702 2094"> <tr> <td>Liquid:</td> <td></td> </tr> <tr> <td>Pumped liquid:</td> <td>Water</td> </tr> <tr> <td>Liquid temperature range:</td> <td>-22 .. 248 °F</td> </tr> <tr> <td>Selected liquid temperature:</td> <td>68 °F</td> </tr> <tr> <td>Density:</td> <td>62.29 lb/ft<sup>3</sup></td> </tr> </table> | Liquid: |  | Pumped liquid: | Water | Liquid temperature range: | -22 .. 248 °F | Selected liquid temperature: | 68 °F | Density: | 62.29 lb/ft <sup>3</sup> |
| Liquid:                      |  |         |  |                |       |                           |               |                              |       |          |                          |
| Pumped liquid:               | Water  |         |  |                |       |                           |               |                              |       |          |                          |
| Liquid temperature range:    | -22 .. 248 °F  |         |  |                |       |                           |               |                              |       |          |                          |
| Selected liquid temperature: | 68 °F  |         |  |                |       |                           |               |                              |       |          |                          |
| Density:                     | 62.29 lb/ft <sup>3</sup>   |         |  |                |       |                           |               |                              |       |          |                          |



Company name:

Created by:

Phone:

Date:

27/02/2026

| Qty. | Description  |
|------|--|
| 1    | <p>Technical:</p> <p>Pump speed on which pump data are based: 3470 rpm</p> <p>Rated flow: 159 US GPM</p> <p>Rated head: 180.1 ft</p> <p>Actual impeller diameter: 4.66 in</p> <p>Pump orientation: Vertical</p> <p>Shaft seal arrangement: Single</p> <p>Primary shaft seal: HQQE</p> <p>Code for shaft seal: HQQE</p> <p>Approvals: CURUS</p> <p>Approvals for drinking water: NSF/ANSI 61</p> <p>Curve tolerance: ISO9906:2012 3B</p> <p>Materials:</p> <p>Type key, code for materials: A</p> <p>Type key, code for rubber components. E = EPDM, V=FKM: E</p> <p>Base: Cast iron</p> <p>EN 1563 EN-GJS-500-7</p> <p>ASTM A536 80-55-06</p> <p>Impeller: Stainless steel</p> <p>EN 1.4301</p> <p>AISI 304</p> <p>Bearing: SIC</p> <p>Support bearing: Graflon</p> <p>Installation:</p> <p>Maximum ambient temperature: 104 °F</p> <p>Maximum operating pressure: 232.06 psi</p> <p>Max pressure at stated temp: 232 psi / 250 °F</p> <p>232 psi / -22 °F</p> <p>Type of connection: ANSI</p> <p>Size of inlet connection: 2 1/2 inch</p> <p>Size of outlet connection: 2 1/2 inch</p> <p>Pressure rating for connection: PN 16</p> <p>Flange rating inlet: 150 lb</p> <p>Flange size for motor: 213TC</p> <p>Electrical data:</p> <p>Motor standard: NEMA</p> <p>Motor type: WEG</p> <p>Rated power - P2: 10 HP</p> <p>Power (P2) required by pump: 10 HP</p> <p>Mains frequency: 60 Hz</p> <p>Rated voltage: 3 x 230/460 V</p> <p>Service factor: 1.15</p> <p>Rated current: 23.0/11.5 A</p> <p>Starting current: 750 %</p> <p>Cos phi - power factor: 0.91</p> |



Company name:

Created by:

Phone:

Date:

27/02/2026

| Qty. | Description   |
|------|---|
| 1    | Rated speed: 3530 rpm<br>IE efficiency: IE3 90,2%<br>IE Efficiency class: IE3 / NEMA Premium<br>Motor efficiency at full load: 90.2 %<br>Motor efficiency at 3/4 load: 90.2 %<br>Motor efficiency at 1/2 load: 89.5 %<br>Number of poles: 2<br>Enclosure class (IEC 34-5): IP55<br>Insulation class (IEC 85): F<br>Motor No: 99883246<br><br>Controls:<br>Frequency converter: None<br><br>Others:<br>DOE Pump Energy Index CL: 0.87<br>Net weight: 264 lb<br>Gross weight: 282 lb<br>Shipping volume: 10.9 ft³<br>Country of origin: US<br>Custom tariff no.: 8413.70.2040 |



Company name:

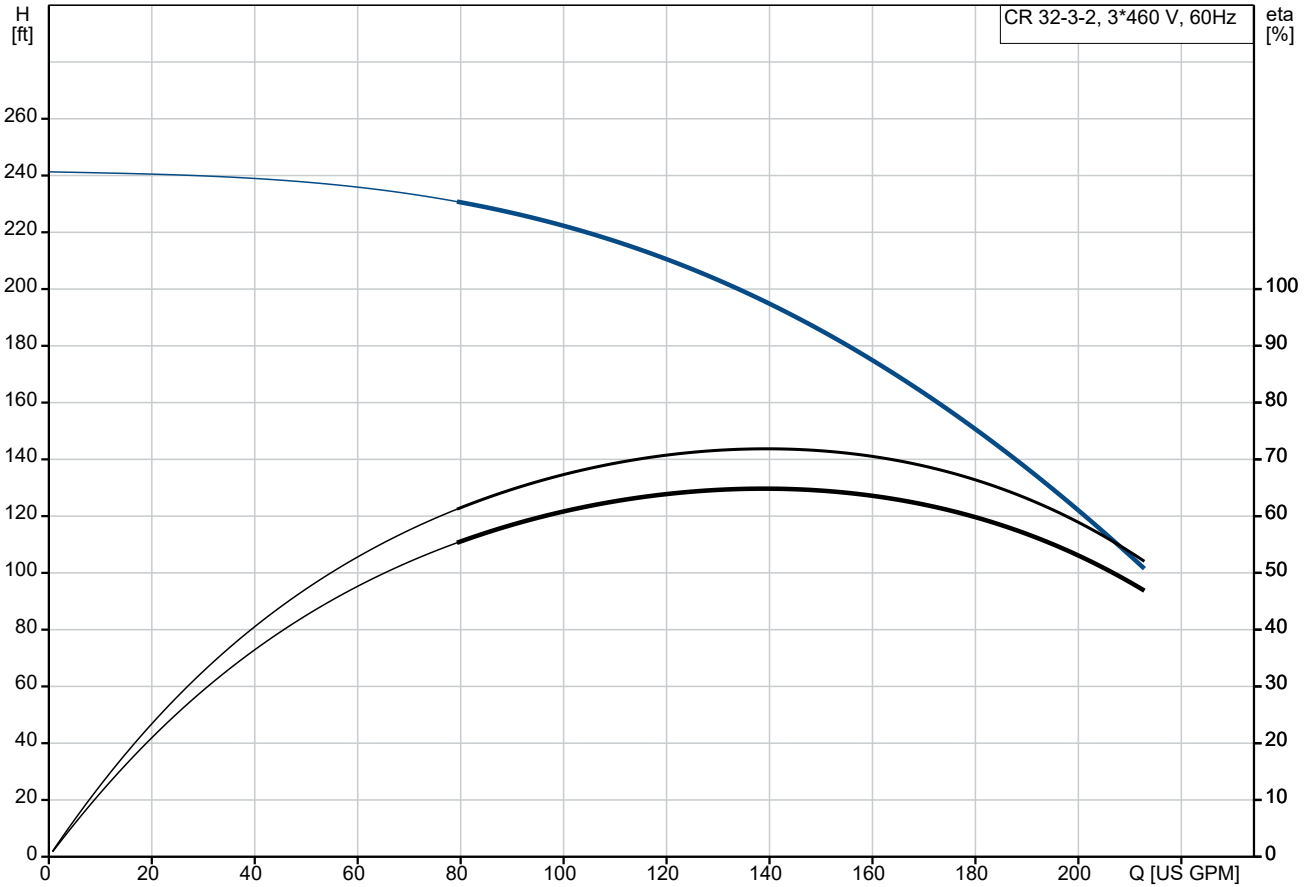
Created by:

Phone:

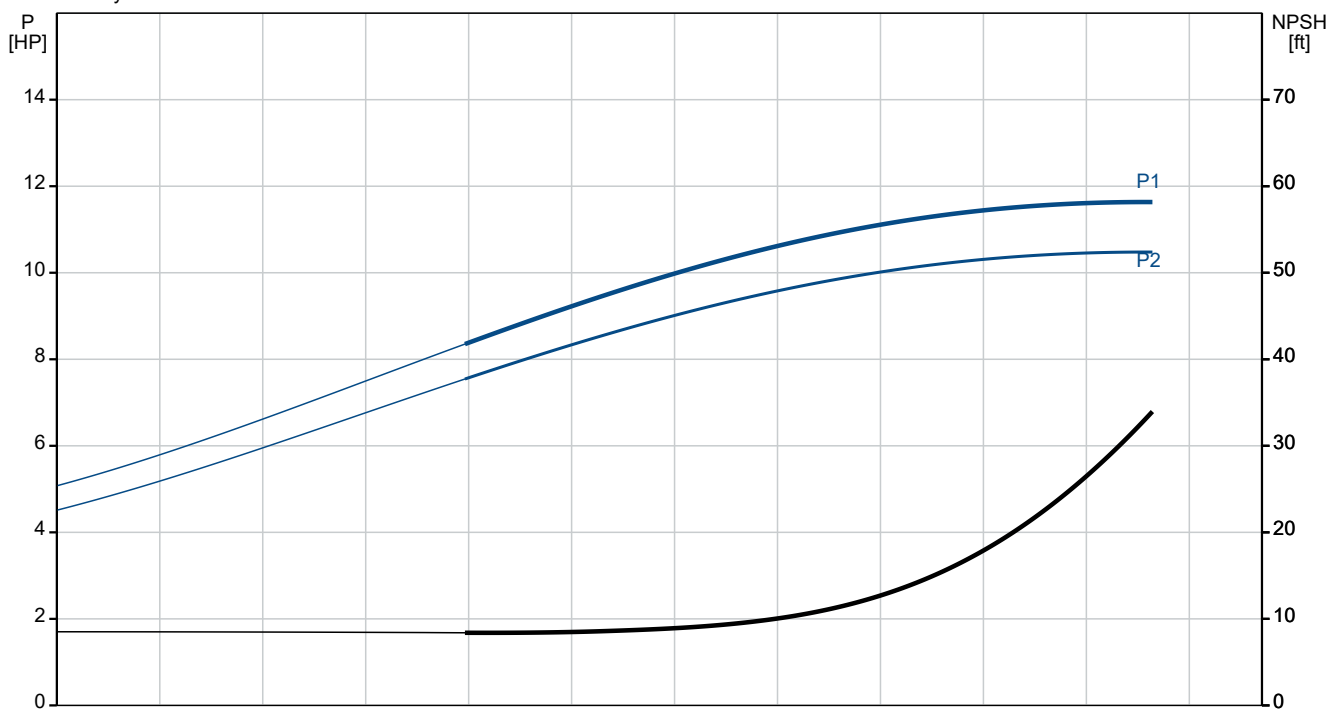
Date:

27/02/2026

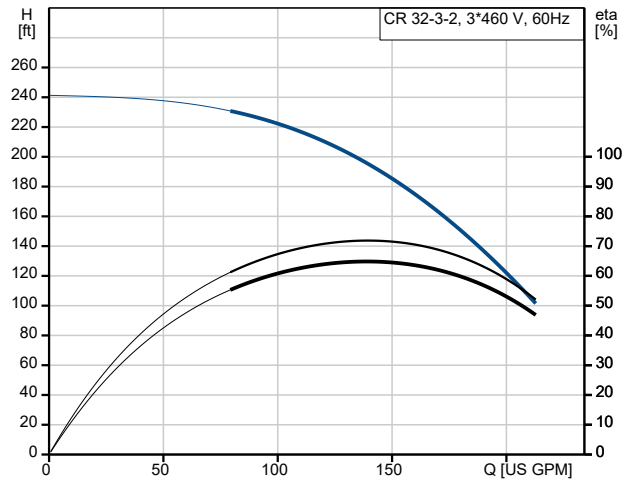
### 99917946 CR 32-3-2 A-G-A-E-HQQE 60 Hz



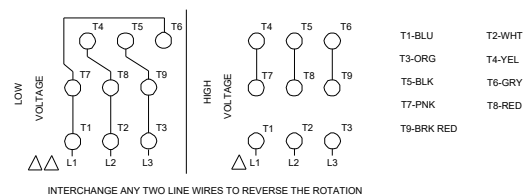
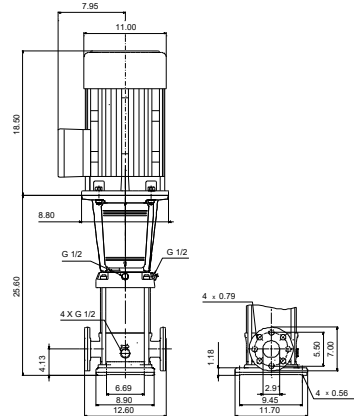
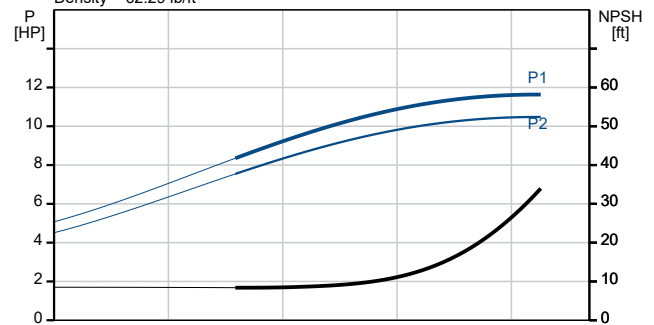
Pumped liquid = Water  
Liquid temperature during operation = 68 °F  
Density = 62.29 lb/ft<sup>3</sup>



| Description  | Value  |
|--|--|
| <b>General information:</b>                            |  |
| Product name:  | CR 32-3-2<br>A-G-A-E-HQQE                                      |
| Product No:  | 99917946   |
| EAN number:  | 5715114127875  |
| <b>Technical:</b>                                      |  |
| Pump speed on which pump data are based:               | 3470 rpm   |
| Rated flow:  | 159 US GPM   |
| Rated head:  | 180.1 ft   |
| Maximum head:  | 241.5 ft   |
| Actual impeller diameter:                              | 4.66 in  |
| Stages:  | 3  |
| Impellers:   | 3  |
| Number of reduced-diameter impellers:                  | 2  |
| Low NPSH:  | N  |
| Pump orientation:                                      | Vertical   |
| Shaft seal arrangement:                                | Single   |
| Primary shaft seal:                                    | HQQE   |
| Code for shaft seal:                                   | HQQE   |
| Approvals:   | CURUS  |
| Approvals for drinking water:                          | NSF/ANSI 61  |
| Curve tolerance:                                       | ISO9906:2012 3B  |
| Pump version:  | A  |
| Model:   | B  |
| Cooling:   | IC 411   |
| <b>Materials:</b>                                      |  |
| Type key, code for materials:                          | A  |
| Type key, code for rubber components. E = EPDM, V=FKM: | E  |
| Base:  | Cast iron<br>EN 1563 EN-GJS-500-7                              |
| Impeller:  | ASTM A536 80-55-06<br>Stainless steel<br>EN 1.4301<br>AISI 304 |
| Material code:   | A  |
| Code for rubber:                                       | E  |
| Bearing:   | SIC  |
| Support bearing:                                       | Graffon  |
| <b>Installation:</b>                                   |  |
| Maximum ambient temperature:                           | 104 °F   |
| Maximum operating pressure:                            | 232.06 psi   |
| Max pressure at stated temp:                           | 232 psi / 250 °F<br>232 psi / -22 °F                           |
| Type key, code for pipework connection:                | G  |
| Type of connection:                                    | ANSI   |
| Size of inlet connection:                              | 2 1/2 inch   |
| Size of outlet connection:                             | 2 1/2 inch   |
| Pressure rating for connection:                        | PN 16  |
| Flange rating inlet:                                   | 150 lb   |
| Flange size for motor:                                 | 213TC  |
| Connect code:  | G  |
| <b>Liquid:</b>   |  |
| Pumped liquid:   | Water  |
| Liquid temperature range:                              | -22 ... 248 °F   |
| Selected liquid temperature:                           | 68 °F  |



Pumped liquid = Water  
Liquid temperature during operation = 68 °F  
Density = 62.29 lb/ft³





Company name:

Created by:

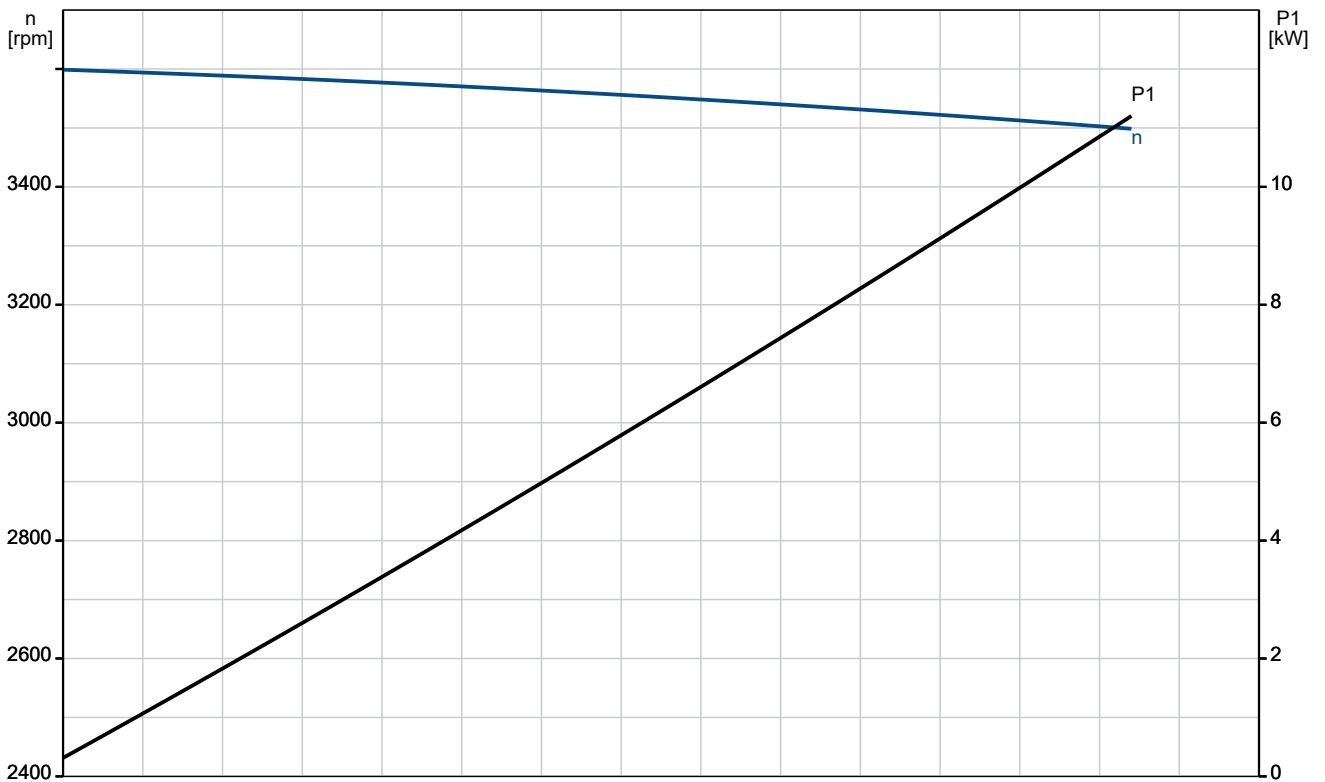
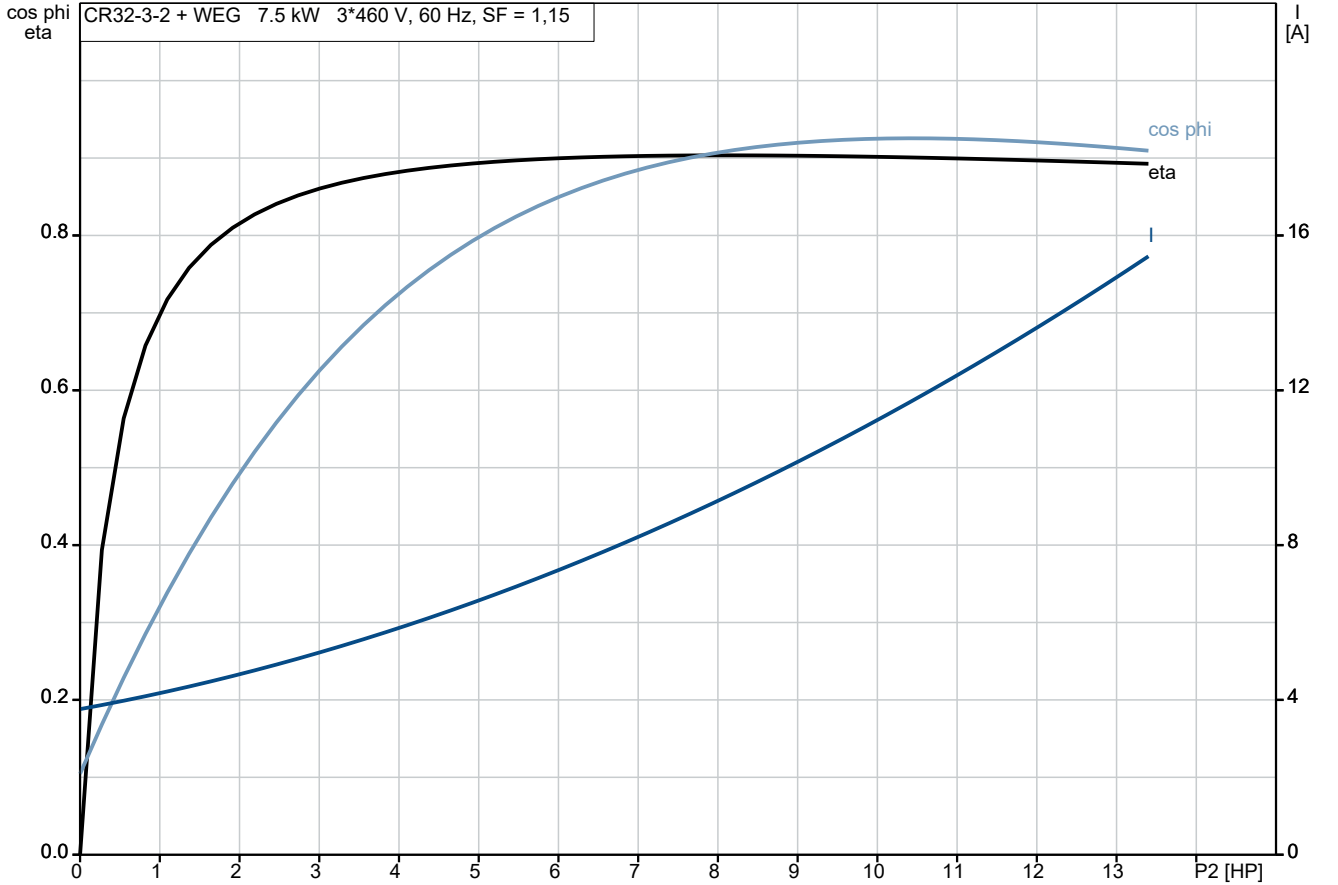
Phone:

Date:

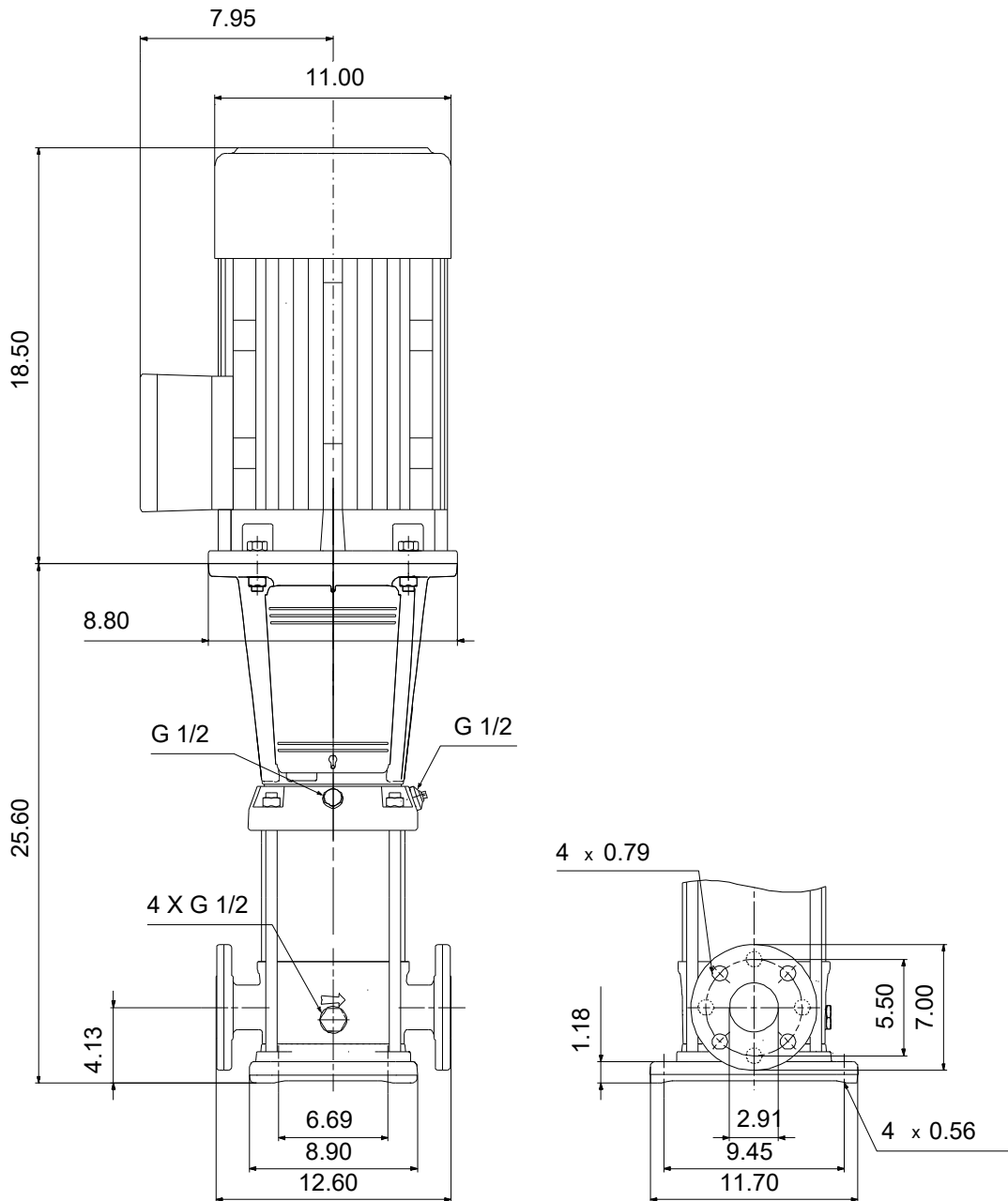
27/02/2026

| Description                    | Value                    |
|--------------------------------|--------------------------|
| Density:                       | 62.29 lb/ft <sup>3</sup> |
| <b>Electrical data:</b>        |                          |
| Motor standard:                | NEMA                     |
| Motor type:                    | WEG                      |
| Rated power - P2:              | 10 HP                    |
| Power (P2) required by pump:   | 10 HP                    |
| KVA code:                      | J                        |
| Mains frequency:               | 60 Hz                    |
| Rated voltage:                 | 3 x 230/460 V            |
| Service factor:                | 1.15                     |
| Rated current:                 | 23.0/11.5 A              |
| Starting current:              | 750 %                    |
| SF current:                    | 26.5/13.2 A              |
| Cos phi - power factor:        | 0.91                     |
| Rated speed:                   | 3530 rpm                 |
| IE efficiency:                 | IE3 90,2%                |
| IE Efficiency class:           | IE3 / NEMA Premium       |
| Motor efficiency at full load: | 90.2 %                   |
| Motor efficiency at 3/4 load:  | 90.2 %                   |
| Motor efficiency at 1/2 load:  | 89.5 %                   |
| Number of poles:               | 2                        |
| Enclosure class (IEC 34-5):    | IP55                     |
| Insulation class (IEC 85):     | F                        |
| Built-in motor protection:     | NONE                     |
| Motor No:                      | <a href="#">99883246</a> |
| <b>Controls:</b>               |                          |
| Frequency converter:           | None                     |
| <b>Others:</b>                 |                          |
| DOE Pump Energy Index CL:      | 0.87                     |
| Net weight:                    | 264 lb                   |
| Gross weight:                  | 282 lb                   |
| Shipping volume:               | 10.9 ft <sup>3</sup>     |
| Country of origin:             | US                       |
| Custom tariff no.:             | 8413.70.2040             |

## 99917946 CR 32-3-2 A-G-A-E-HQQE 60 Hz

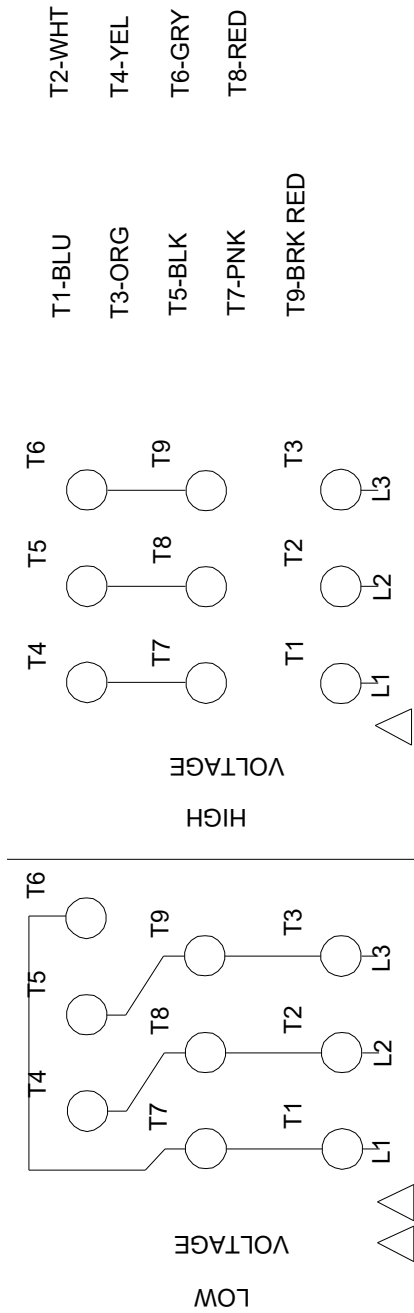


## 99917946 CR 32-3-2 A-G-A-E-HQQE 60 Hz



Note! All units are in [in] unless others are stated.  
Disclaimer: This simplified dimensional drawing does not show all details.

## 99917946 CR 32-3-2 A-G-A-E-HQQE 60 Hz



T2-WHT  
T4-YEL  
T6-GRY  
T8-RED

T1-BLU  
T3-ORG  
T5-BLK  
T7-PNK  
T9-BRK RED

Note! All units are in [in] unless others are stated.