

Submittal Data

PROJECT:	UNIT TAG:	QUANTITY:
REPRESENTATIVE: _____	TYPE OF SERVICE:	DATE: _____
ENGINEER:	SUBMITTED BY:	DATE:
CONTRACTOR:	APPROVED BY:	DATE:
	ORDER NO.:	DATE:

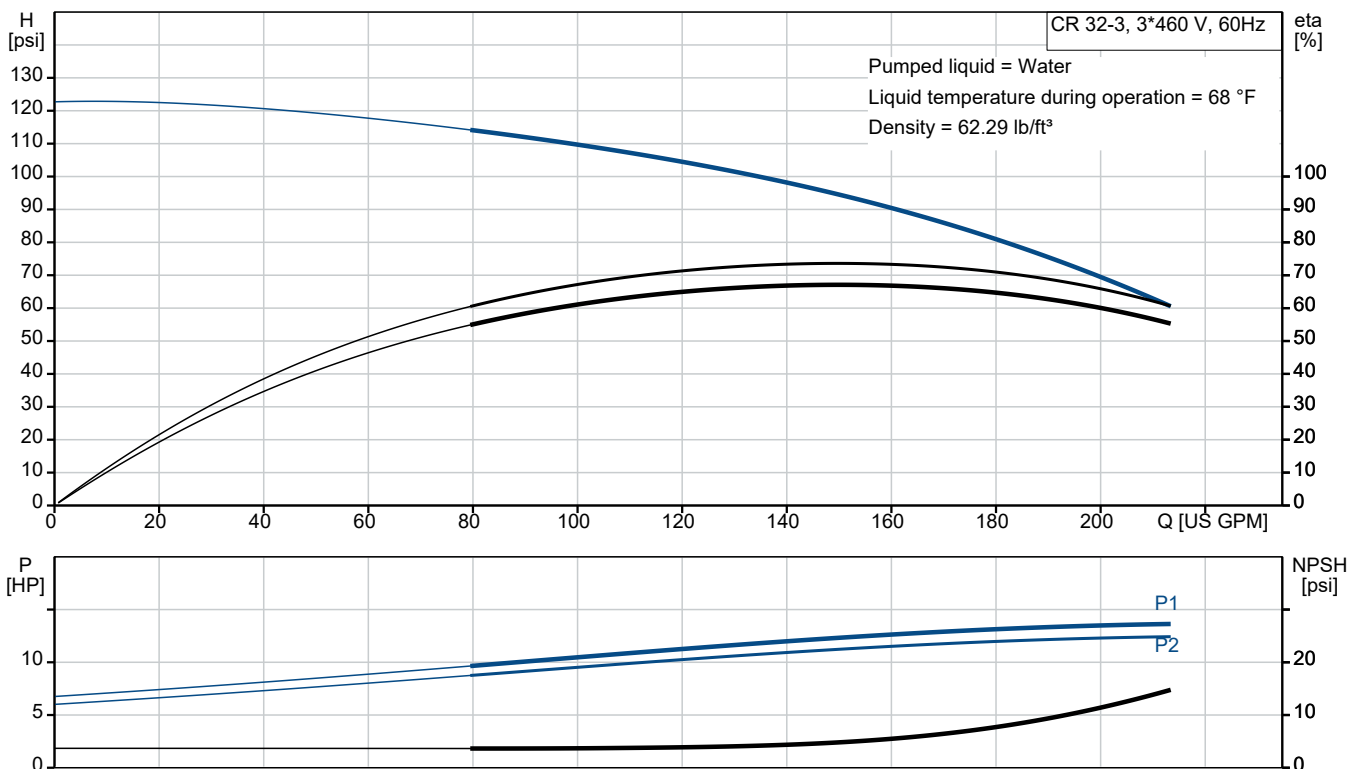


CR 32-3 A-G-A-E-HQQE

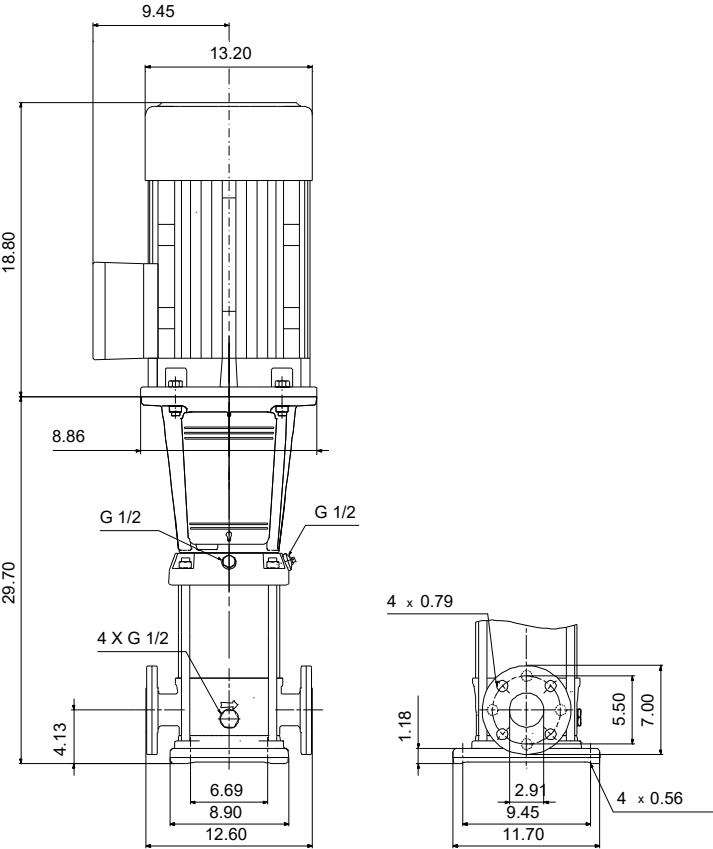
Vertical, multistage centrifugal pump with suction and discharge ports on the same level. The pump head and base are in cast iron - all other wetted parts are in stainless steel (EN 1.4301)

Note! Product picture may differ from actual product

Conditions of Service	Pump Data	Motor Data
Efficiency: %	Max pressure at stated temp: 232 psi / 250 °F	Rated power - P2: 15 HP
Liquid: Water	Liquid temperature range: -22 .. 248 °F	Rated voltage: 230/460 V
Temperature: 68 °F	Maximum ambient temperature: 104 °F	Mains frequency: 60 Hz
NPSH required: psi	Shaft seal: HQQE	Enclosure class: IP55
Specific Gravity: 1.000	Product number: 99917947	Insulation class: F
		Motor protection: NONE
		Motor type: WEG
		Eta 1/1: 91 %



Submittal Data



Materials:
Base: Cast iron
 EN 1563 EN-GJS-500-7
 ASTM A536 80-55-06
Impeller: Stainless steel
 AISI 304
 EN 1.4301
Material code: A
Code for rubber: E

Qty. Description

1 CR 32-3 A-G-A-E-HQQE



Note! Product picture may differ from actual product

Product No.: [99917947](#)

Vertical, multistage centrifugal pump with inlet and outlet ports on same the level (inline). The pump head and base are in cast iron – all other wetted parts are in stainless steel. A cartridge shaft seal ensures high reliability, safe handling, and easy access and service. Power transmission is via a rigid split coupling. Pipe connection is via ANSI flanges.

The pump is fitted with a 3-phase, fan-cooled asynchronous motor.

Further product details

Steel, cast iron and aluminium components have an epoxy-based coating made in a cathodic electro-deposition (CED) process.

CED is a high-quality dip-painting process where an electrical field around the products ensures deposition of paint particles as a thin, well-controlled layer on the surface.

An integral part of the process is a pretreatment.

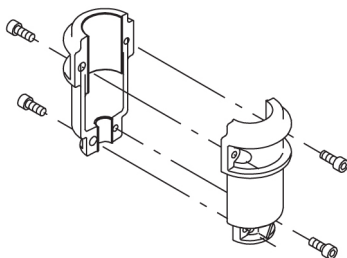
The entire process consists of these elements:

- 1) Alkaline-based cleaning.
- 2) Zinc phosphating.
- 3) Cathodic electro-deposition.
- 4) Curing to a dry film thickness 18-22 my m.

The colour code for the finished product is NCS 9000/RAL 9005.

Pump

A long split coupling connects the pump and motor shaft. It is enclosed in the motor stool by means of two coupling guards. The long coupling makes it possible to replace the shaft seal without removing the motor from the pump.



The motor stool connects the pump head and motor. The pump head has a combined 1/2" priming plug and vent screw.

Qty. Description

1



The pump is fitted with a balanced O-ring seal unit with a rigid torque-transmission system.

This seal type is assembled in a cartridge unit which makes replacement safe and easy.

Due to the balancing, this seal type is suitable for high-pressure applications.

The cartridge construction also protects the pump shaft from possible wear from a dynamic O-ring between pump shaft and shaft seal.

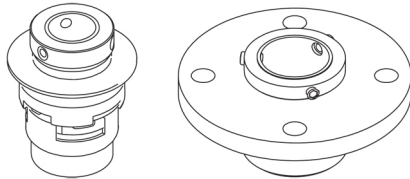
Seal faces:

- Rotating seal ring material: silicon carbide (SiC)
- Stationary seat material: silicon carbide (SiC)

This material pairing is used where higher corrosion resistance is required. The high hardness of this material pairing offers good resistance against abrasive particles.

Secondary seal material: EPDM (ethylene-propylene rubber)

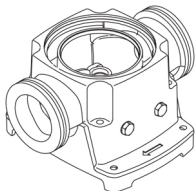
EPDM has excellent resistance to hot water. EPDM is not suitable for mineral oils.



The shaft seal is retained in the pump head by a cover and screws. It can be replaced without removing the motor.

The chambers and impellers are made of stainless-steel sheet. The chambers are provided with a PTFE neck ring offering improved sealing and high efficiency. The impellers have smooth surfaces, and the shape of the blades ensure a high efficiency.

The base is made of cast iron. Both the inlet and the outlet side of the base have two pressure gauge tappings. The pump is secured to the foundation by four bolts through the base plate. The flanges are fastened to the base by means of locking rings.



Motor

The motor is a totally enclosed, fan-cooled motor with principal dimensions to IEC and DIN standards. The motor is flange-mounted with free-hole flange (FF).

Motor-mounting designation in accordance with IEC 60034-7: IM B 5 (Code I) / IM 3001 (Code II).

Electrical tolerances comply with IEC 60034.

The motor efficiency is classified as premium efficiency in accordance with EISA2007.

The motor does not incorporate motor protection and must be connected to a motor-protective circuit breaker which can be manually reset. The motor-protective circuit breaker must be set according to the rated current of the motor (I1/1).

The motor can be connected to a variable speed drive for adjustment of pump performance to any duty point. Grundfos CUE offers a range of variable speed drives. Please find more information in Grundfos Product Center.

Qty.	Description
1	<p>Technical data</p> <p>Liquid:</p> <p>Pumped liquid: Water</p> <p>Liquid temperature range: -22 .. 248 °F</p> <p>Selected liquid temperature: 68 °F</p> <p>Density: 62.29 lb/ft³</p> <p>Technical:</p> <p>Pump speed on which pump data are based: 3444 rpm</p> <p>Rated flow: 159 US GPM</p> <p>Rated head: 93.71 psi</p> <p>Actual impeller diameter: 4.66 in</p> <p>Pump orientation: Vertical</p> <p>Shaft seal arrangement: Single</p> <p>Primary shaft seal: HQQE</p> <p>Code for shaft seal: HQQE</p> <p>Approvals: CURUS</p> <p>Approvals for drinking water: NSF/ANSI 61</p> <p>Curve tolerance: ISO9906:2012 3B</p> <p>Materials:</p> <p>Type key, code for materials: A</p> <p>Type key, code for rubber components. E = EPDM, V=FKM: E</p> <p>Base: Cast iron EN 1563 EN-GJS-500-7 ASTM A536 80-55-06</p> <p>Impeller: Stainless steel EN 1.4301 AISI 304</p> <p>Bearing: SIC</p> <p>Support bearing: Graflon</p> <p>Installation:</p> <p>Maximum ambient temperature: 104 °F</p> <p>Maximum operating pressure: 232.06 psi</p> <p>Max pressure at stated temp: 232 psi / 250 °F 232 psi / -22 °F</p> <p>Type of connection: ANSI</p> <p>Size of inlet connection: 2 1/2 inch</p> <p>Size of outlet connection: 2 1/2 inch</p> <p>Pressure rating for connection: PN 16</p> <p>Flange rating inlet: 150 lb</p> <p>Flange size for motor: 254TC</p> <p>Electrical data:</p> <p>Motor standard: NEMA</p>



Company name:

Created by:

Phone:

Date:

27/02/2026

Qty.	Description
1	<p>Motor type: WEG</p> <p>Rated power - P2: 15 HP</p> <p>Power (P2) required by pump: 15 HP</p> <p>Mains frequency: 60 Hz</p> <p>Rated voltage: 3 x 230/460 V</p> <p>Service factor: 1.15</p> <p>Rated current: 34.8/17.4 A</p> <p>Starting current: 680 %</p> <p>Cos phi - power factor: 0.87</p> <p>Rated speed: 3525 rpm</p> <p>IE efficiency: IE3 91%</p> <p>IE Efficiency class: IE3 / NEMA Premium</p> <p>Motor efficiency at full load: 91 %</p> <p>Motor efficiency at 3/4 load: 91 %</p> <p>Motor efficiency at 1/2 load: 89.5 %</p> <p>Number of poles: 2</p> <p>Enclosure class (IEC 34-5): IP55</p> <p>Insulation class (IEC 85): F</p> <p>Motor No: 99883247</p> <p>Controls:</p> <p>Frequency converter: None</p> <p>Others:</p> <p>DOE Pump Energy Index CL: 0.87</p> <p>Net weight: 331 lb</p> <p>Gross weight: 349 lb</p> <p>Shipping volume: 17.5 ft³</p> <p>Country of origin: US</p> <p>Custom tariff no.: 8413.70.2040</p>



Company name:

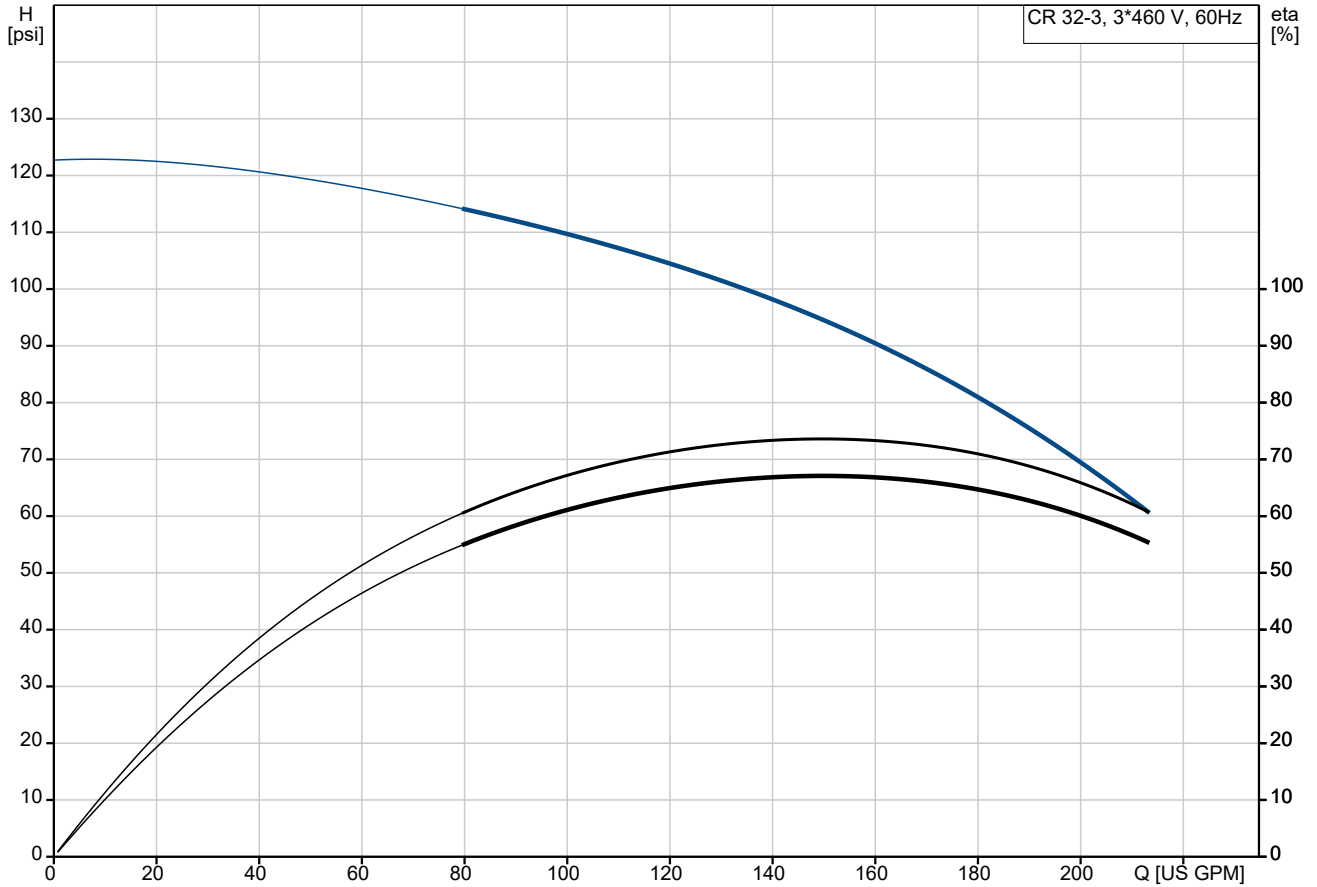
Created by:

Phone:

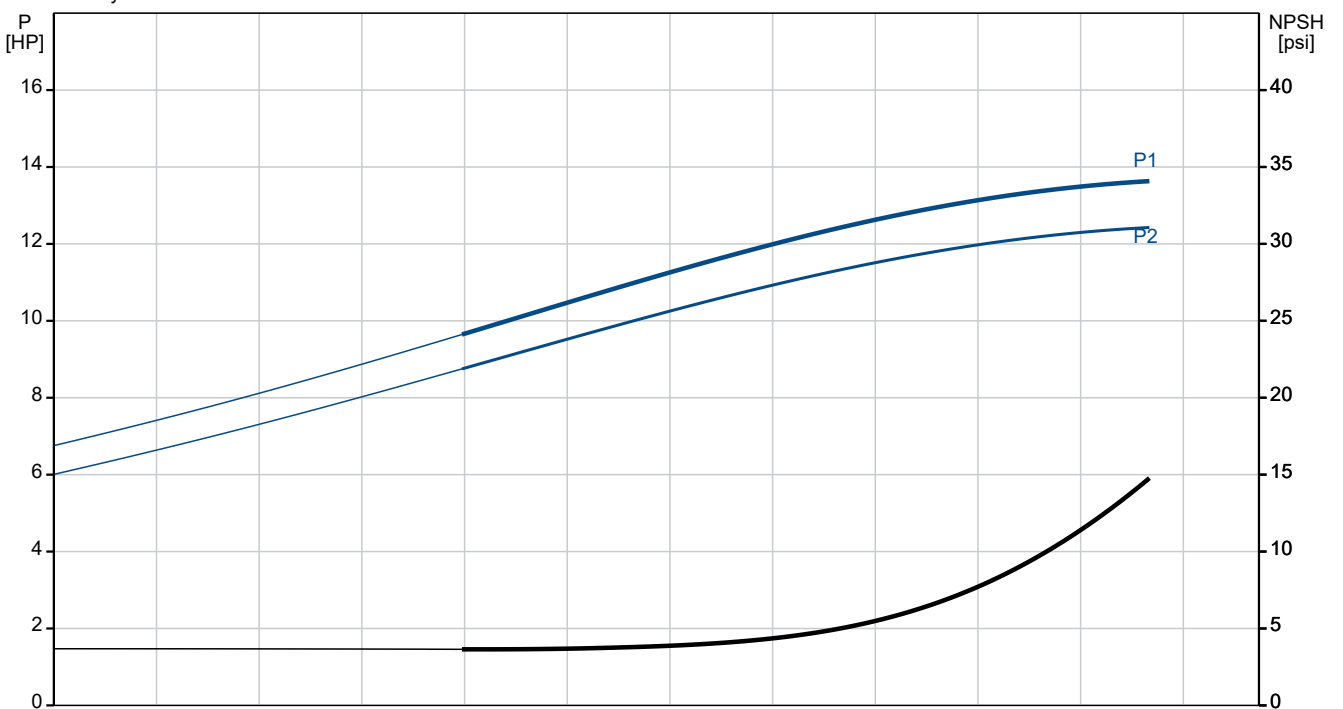
Date:

27/02/2026

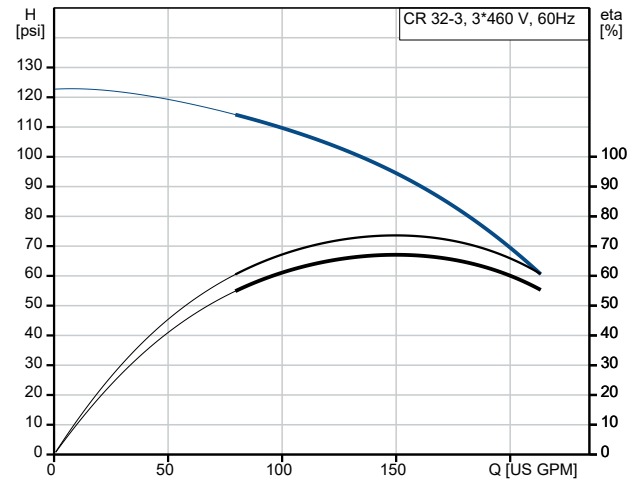
99917947 CR 32-3 A-G-A-E-HQQE 60 Hz



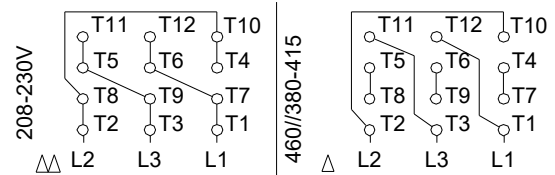
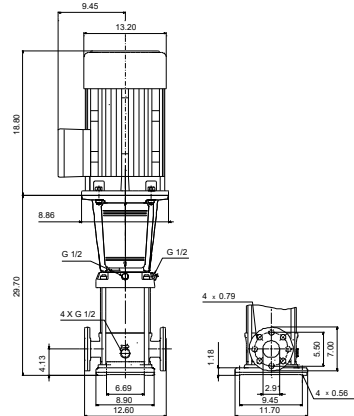
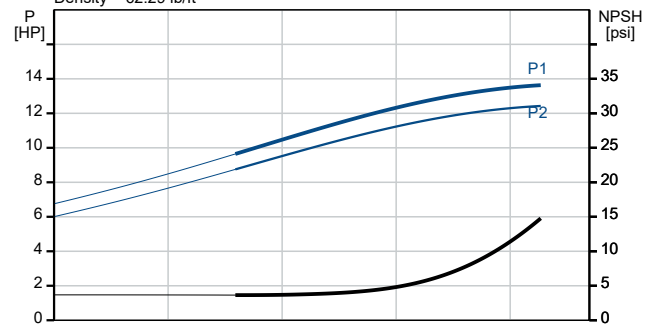
Pumped liquid = Water
Liquid temperature during operation = 68 °F
Density = 62.29 lb/ft³



Description	Value
General information:	
Product name:	CR 32-3 A-G-A-E-HQQE
Product No:	99917947
EAN number:	5715114127882
Technical:	
Pump speed on which pump data are based:	3444 rpm
Rated flow:	159 US GPM
Rated head:	93.71 psi
Maximum head:	121.3 psi
Actual impeller diameter:	4.66 in
Stages:	3
Impellers:	3
Number of reduced-diameter impellers:	0
Low NPSH:	N
Pump orientation:	Vertical
Shaft seal arrangement:	Single
Primary shaft seal:	HQQE
Code for shaft seal:	HQQE
Approvals:	CURUS
Approvals for drinking water:	NSF/ANSI 61
Curve tolerance:	ISO9906:2012 3B
Pump version:	A
Model:	B
Cooling:	IC 411
Materials:	
Type key, code for materials:	A
Type key, code for rubber components. E = EPDM, V=FKM:	E
Base:	Cast iron EN 1563 EN-GJS-500-7
Impeller:	ASTM A536 80-55-06 Stainless steel EN 1.4301 AISI 304
Material code:	A
Code for rubber:	E
Bearing:	SIC
Support bearing:	Graflon
Installation:	
Maximum ambient temperature:	104 °F
Maximum operating pressure:	232.06 psi
Max pressure at stated temp:	232 psi / 250 °F 232 psi / -22 °F
Type key, code for pipework connection:	G
Type of connection:	ANSI
Size of inlet connection:	2 1/2 inch
Size of outlet connection:	2 1/2 inch
Pressure rating for connection:	PN 16
Flange rating inlet:	150 lb
Flange size for motor:	254TC
Connect code:	G
Liquid:	
Pumped liquid:	Water
Liquid temperature range:	-22 .. 248 °F
Selected liquid temperature:	68 °F



Pumped liquid = Water
Liquid temperature during operation = 68 °F
Density = 62.29 lb/ft³





Company name:

Created by:

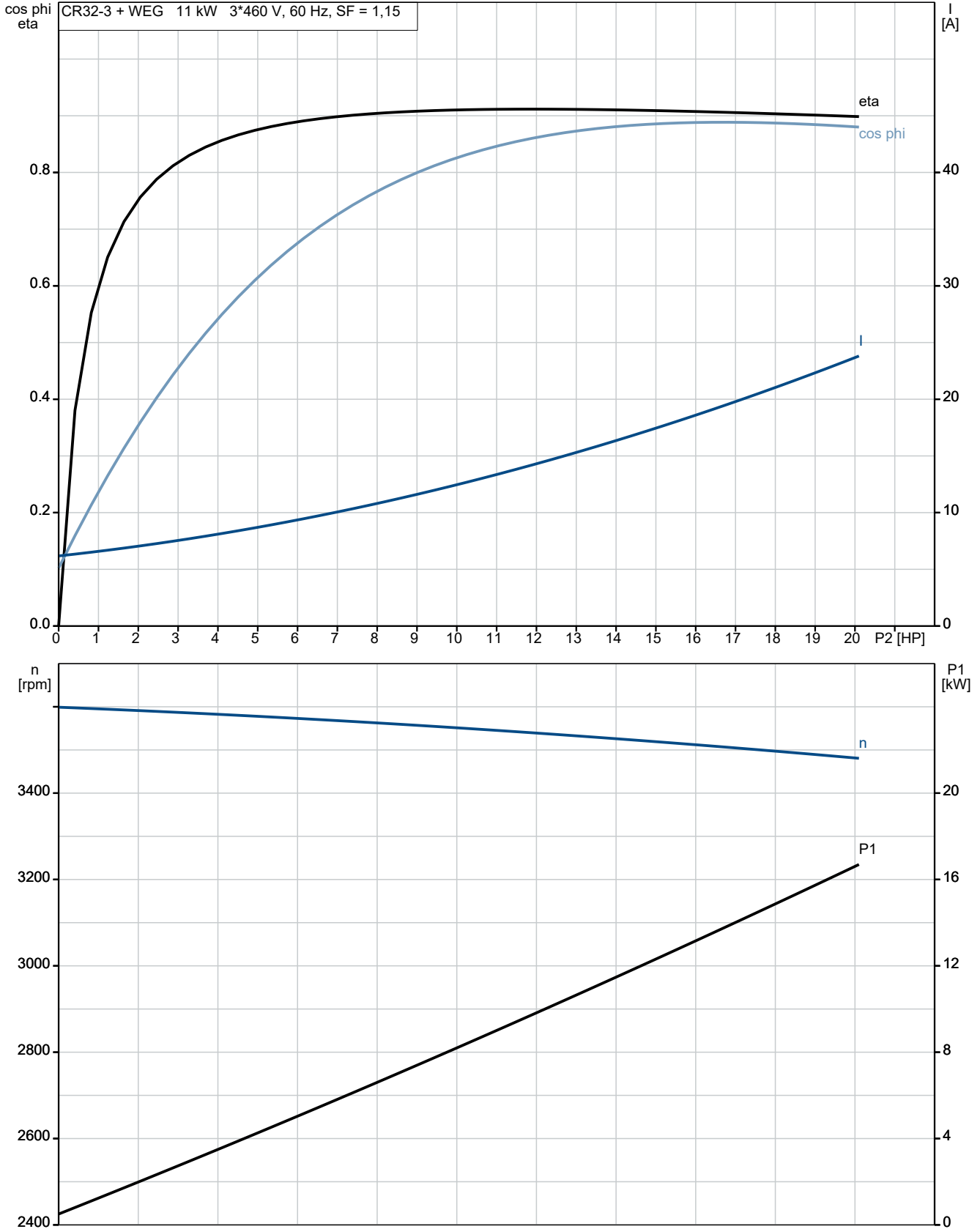
Phone:

Date:

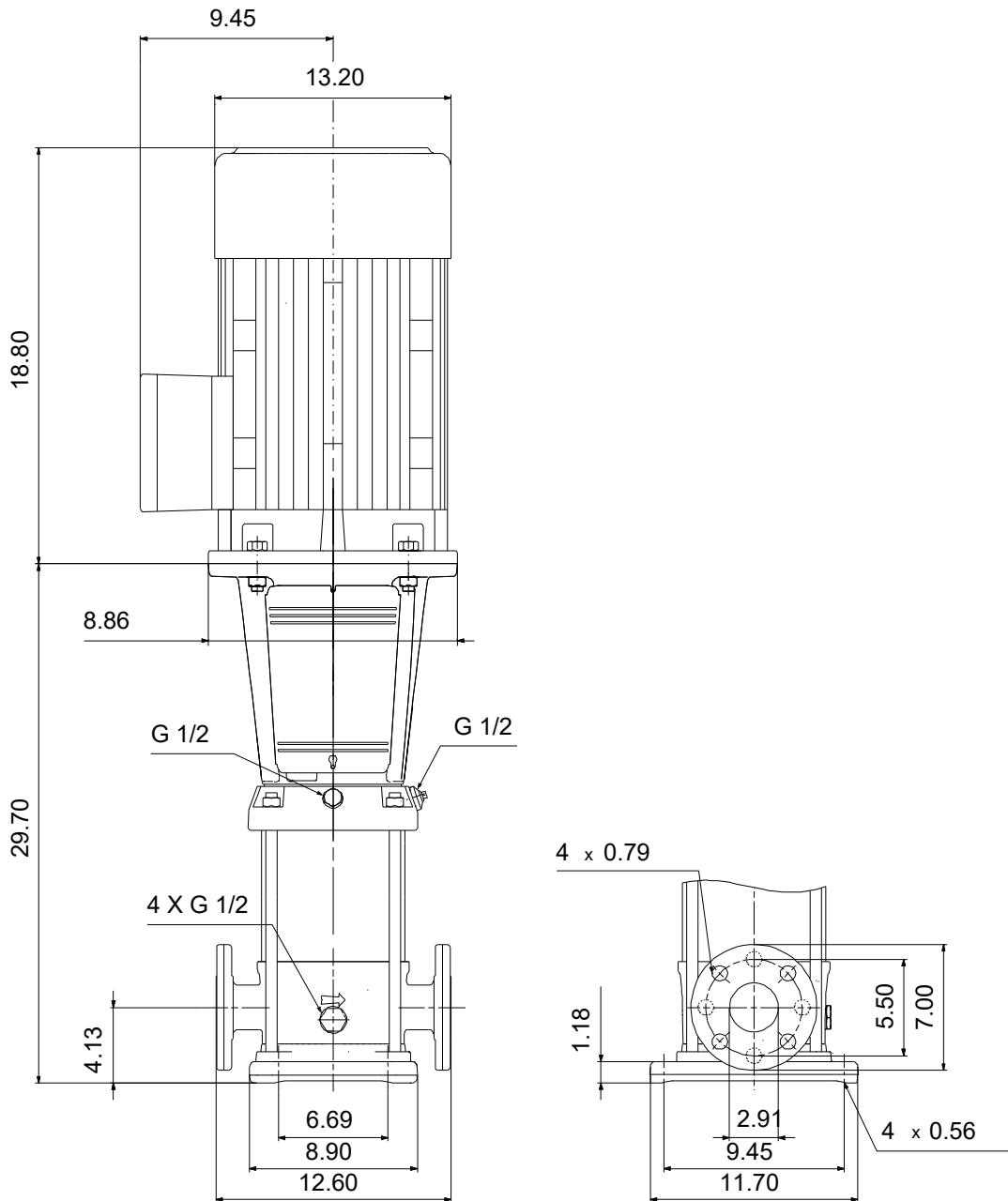
27/02/2026

Description	Value
Density:	62.29 lb/ft ³
Electrical data:	
Motor standard:	NEMA
Motor type:	WEG
Rated power - P2:	15 HP
Power (P2) required by pump:	15 HP
KVA code:	L
Mains frequency:	60 Hz
Rated voltage:	3 x 230/460 V
Service factor:	1.15
Rated current:	34.8/17.4 A
Starting current:	680 %
SF current:	40/20 A
Cos phi - power factor:	0.87
Rated speed:	3525 rpm
IE efficiency:	IE3 91%
IE Efficiency class:	IE3 / NEMA Premium
Motor efficiency at full load:	91 %
Motor efficiency at 3/4 load:	91 %
Motor efficiency at 1/2 load:	89.5 %
Number of poles:	2
Enclosure class (IEC 34-5):	IP55
Insulation class (IEC 85):	F
Built-in motor protection:	NONE
Motor No:	99883247
Controls:	
Frequency converter:	None
Others:	
DOE Pump Energy Index CL:	0.87
Net weight:	331 lb
Gross weight:	349 lb
Shipping volume:	17.5 ft ³
Country of origin:	US
Custom tariff no.:	8413.70.2040

99917947 CR 32-3 A-G-A-E-HQQE 60 Hz

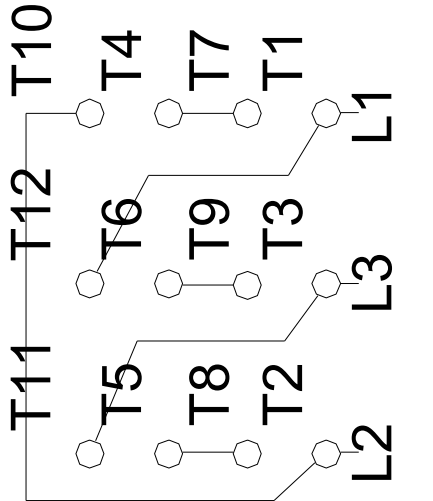


99917947 CR 32-3 A-G-A-E-HQQE 60 Hz

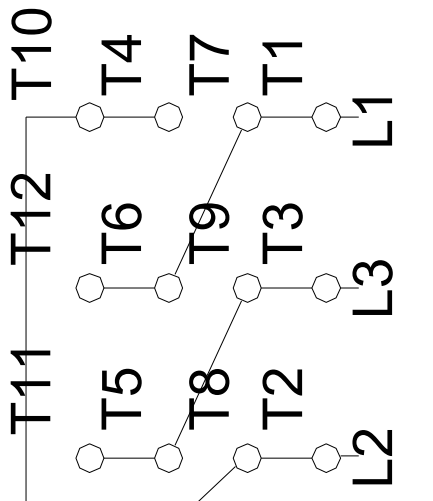


Note! All units are in [in] unless others are stated.
 Disclaimer: This simplified dimensional drawing does not show all details.

99917947 CR 32-3 A-G-A-E-HQQE 60 Hz



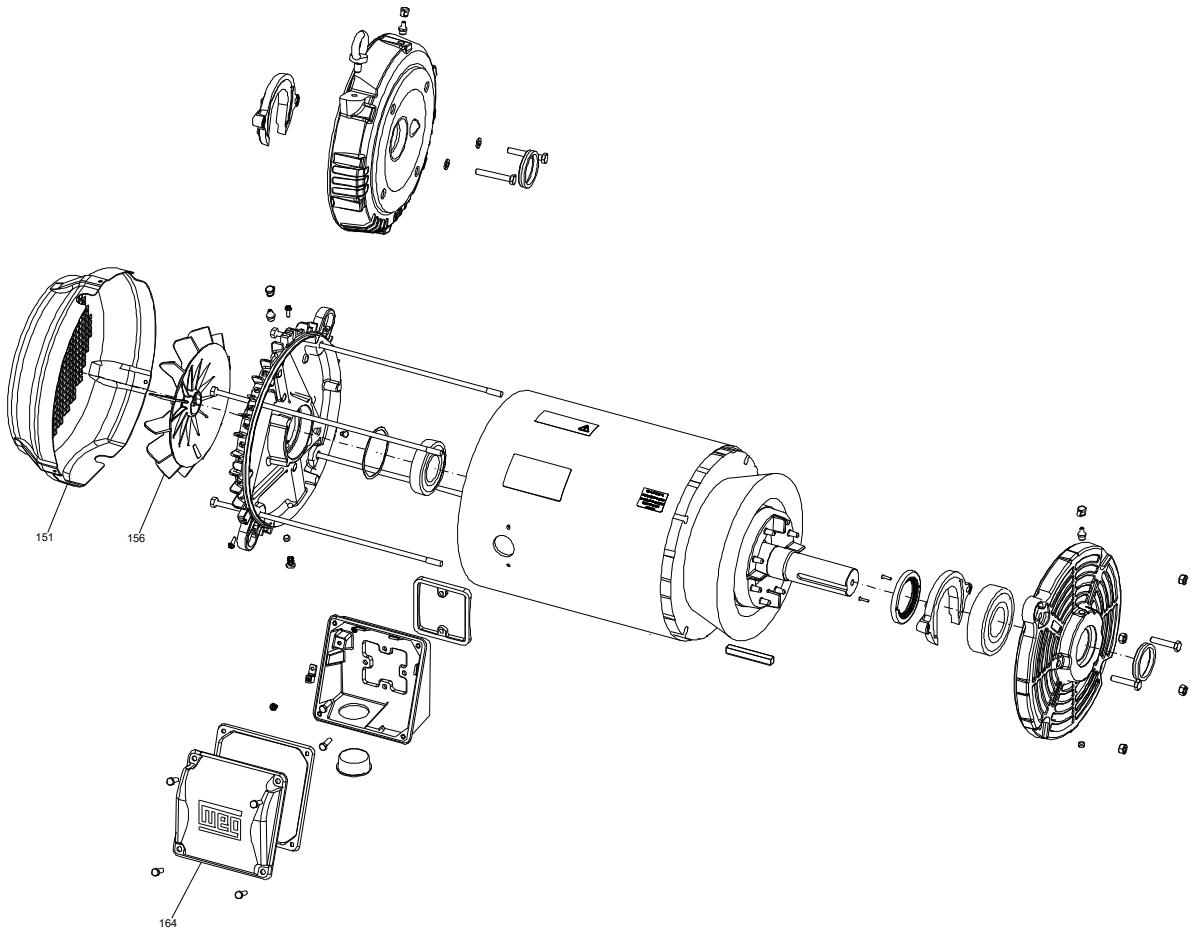
460//380-415



208-230V

Note! All units are in [in] unless others are stated.

(TM077269 for WEG motor)



**Spare parts CR 32-3, Product No. 99917947
Produced After 2053 (production year and week number)**

Pos	Description	Annotation	Classification Data	Part no.	Qty.	Unit
-	Kit, Chamber stack			96416277	1	pcs
+ 80	Chamber stack				1	pcs
+ 3	Upper chamber cpl.				1	pcs
+ 4a	Intermediate chamber cpl.				1	pcs
+ 4	Intermediate chamber cpl.				1	pcs
	26c				2	pcs
	26b				2	pcs
	26a				2	pcs
+ 44	Suction interconnector cpl.				1	pcs
+ 45a	Neck ring cpl.				1	pcs
	45				1	pcs
+ 45a	Neck ring cpl.				1	pcs
	45				1	pcs
	46				1	pcs
+ 47a	Bearing cpl.				1	pcs
	47				1	pcs
	47d				1	pcs
	47c				1	pcs
	47d				1	pcs
	47c				1	pcs
+ 49e	Impeller cpl.				3	pcs
	48				1	pcs
	49b				1	pcs
+ 49	Impeller				1	pcs
	49c				1	pcs
	51				1	pcs
	65				1	pcs
-	Kit, Chambers			98497462	1	pcs
+ 4a	Intermediate chamber cpl.				1	pcs
+ 45a	Neck ring cpl.				1	pcs
	45				1	pcs
	46				1	pcs
+ 47a	Bearing cpl.				1	pcs
	47				1	pcs
	65				1	pcs
-	Kit, Coupling			92591181	1	pcs
+ 8	Coupling cpl.				1	pcs
	9				4	pcs
	10a				2	pcs
-	Kit, Coupling guard			96505135	1	pcs
	7a				4	pcs
	7				2	pcs
-	Kit, Cover			98832448	1	pcs
	58a				4	pcs
	58				1	pcs
-	Kit, Gaskets			96416597	1	pcs
	37				2	pcs
	38				6	pcs
	60				4	pcs
	109				1	pcs
	110				1	pcs
-	Kit, Impeller			98497465	1	pcs



Company name:

Created by:

Phone:

Date:

27/02/2026

Pos	Description	Annotation	Classification Data	Part no.	Qty.	Unit
48	Nut				1	pcs
48	Nut				1	pcs
49b	Split cone				1	pcs
+ 49	Impeller				1	pcs
49c	Wear ring				1	pcs
-	Kit, Plug			99017530	1	pcs
25	Plug				3	pcs
25a	Pipe plug				1	pcs
25	Drain plug				1	pcs
38	O-ring				6	pcs
38	O-ring				6	pcs
-	Kit, Shaft seal HQQE			96525458	1	pcs
+ 105	Shaft seal				1	pcs
31	O-ring				1	pcs
109	O-ring				1	pcs
110	O-ring				1	pcs
113	Socket set screw				3	pcs
-	Kit, Wear parts			98497451	1	pcs
45	Seal ring				7	pcs
47d	Lock ring				7	pcs
47c	Bush				5	pcs
49c	Wear ring				7	pcs
65	Top f/neck ring				7	pcs
-	Spare, Base			96547299	1	pcs
6	Base				1	pcs
-	Motor				1	pcs
	Spare, Motor fan			99960006	1	pcs
	Spare, Motor fan cover			99962322	1	pcs
	Spare, Terminal box cover			99962357	1	pcs
1a	Motor stool			99993999	1	pcs
2	Pump head			96587722	1	pcs
- 3	Bulk, Upper chamber cpl. (10 PC)			92720483	1	pcs
47c	Bulk, Bush (10 PC)			99321194	1	pcs
47c	Bush			93203106	1	pcs
+ 3	Upper chamber cpl.			98633863	1	pcs
- 4a	Bulk, Intermediate chamber cpl. (5 PC)			99262755	1	pcs
47	Bulk, Bearing (10 PC)			99964632	1	pcs
+ 4a	Intermediate chamber cpl.			99363114	1	pcs
- 4	Bulk, Intermediate chamber cpl. (3 PC)			96534939	1	pcs
- 45a	Bulk, Neck ring cpl. (10 PC)			98686545	1	pcs
45	Bulk, Seal ring (10 PC)			97915217	1	pcs
65	Bulk, Top f/neck ring (10 PC)			96534931	1	pcs
+ 4	Intermediate chamber cpl.			98497466	1	pcs
- 6	Base cpl.			96587692	1	pcs
25	Bulk, Plug (10 PC)			96536013	4	pcs
25	Plug			95061733	4	pcs
37	Bulk, O-ring (10 PC)			96536149	1	pcs
38	Bulk, O-ring (10 PC)			99198815	4	pcs
38	Bulk, O-ring (50 PC)			99412727	4	pcs
7a	Bulk, Socket button head screw (10 PC)			96549696	4	pcs
7	Bulk, Coupling guard (10 PC)			96603279	2	pcs
9	Bulk, Hex socket head cap screw (4 PC)			99789390	4	pcs
+ 18	Bulk, Air vent screw cpl. (5 PC)			96547461	1	pcs
+ 18	Air vent screw cpl.			95061351	1	pcs
25	Bulk, Plug (10 PC)			96536013	1	pcs
25	Plug			95061733	1	pcs
26c	Bulk, Flat Washer (4 PC)			99262704	2	pcs



Company name:

Created by:

Phone:

Date:

27/02/2026

Pos	Description	Annotation	Classification Data	Part no.	Qty.	Unit
26c	Bulk, Flat Washer (10 PC)			99886930	2	pcs
26b	Bulk, Hex socket head cap screw (10 PC)			98931380	2	pcs
26a	Strap cpl.			98983836	2	pcs
26	Staybolt			98976695	4	pcs
28	Bulk, Hex socket head cap screw (10 PC)			96536147	4	pcs
32	Bulk, Flat Washer (100 PC)			98923051	4	pcs
36	Bulk, Hex nut (20 PC)			96620480	4	pcs
37	Bulk, O-ring (10 PC)			96536149	1	pcs
38	Bulk, O-ring (10 PC)			99198815	2	pcs
38	Bulk, O-ring (50 PC)			99412727	2	pcs
+ 44	Suction interconnector cpl.			96547328	1	pcs
+ 47a	Bulk, Bearing cpl. (5 PC)			99366796	1	pcs
+ 47a	Bulk, Bearing cpl. (10 PC)			99620191	1	pcs
+ 47a	Bulk, Bearing cpl. (10 PC)			96534932	1	pcs
- 49e	Bulk, Impeller cpl. (10 PC)			96534935	3	pcs
48	Bulk, Nut (3 PC)			99262680	1	pcs
48	Bulk, Nut (10 PC)			99262683	1	pcs
48	Bulk, Nut (10 PC)			96536016	1	pcs
49b	Bulk, Split cone (10 PC)			96536010	1	pcs
- 49	Bulk, Impeller (10 PC)			93541896	1	pcs
49c	Bulk, Wear ring (10 PC)			96534930	1	pcs
51	Shaft			98506276	1	pcs
55	Outer sleeve			99031510	1	pcs
58	Cover			98893158	1	pcs
60	Bulk, Spring (20 PC)			96536032	4	pcs
- 105	Bulk, Shaft seal (12 PC)			96984070	1	pcs
	Grease			98561889	0	G
	Adjusting fork			96587896	1	pcs
109	Bulk, O-ring (2 PC)			99651108	1	pcs
109	Bulk, O-ring (10 PC)			96547586	1	pcs
110	Bulk, O-ring (5 PC)			93297146	1	pcs
440b	Bulk, Lock ring (4 PC)			96534918	1	pcs