

Submittal Data

PROJECT:	UNIT TAG:	QUANTITY:
REPRESENTATIVE: _____	TYPE OF SERVICE:	DATE: _____
ENGINEER:	SUBMITTED BY:	DATE:
CONTRACTOR:	APPROVED BY:	DATE:
	ORDER NO.:	DATE:

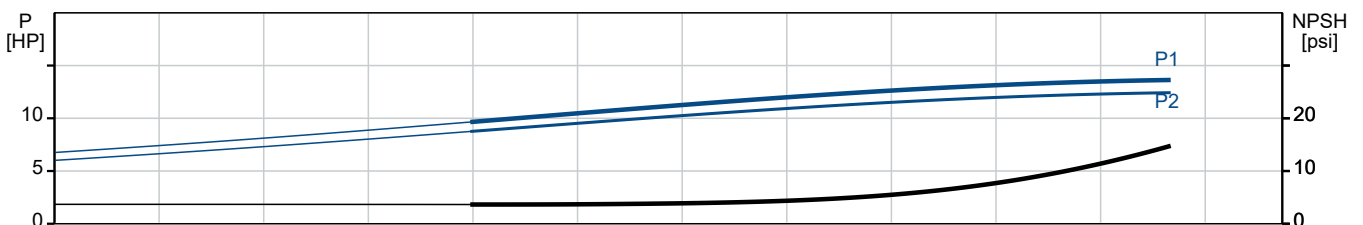
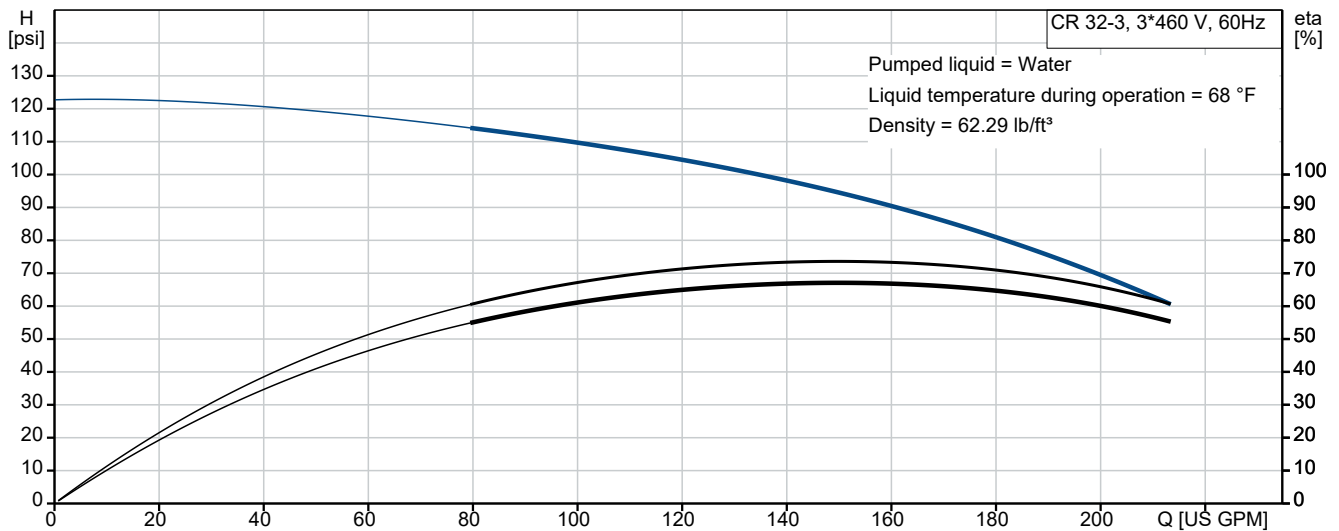


CR 32-3 A-G-A-V-HQQV

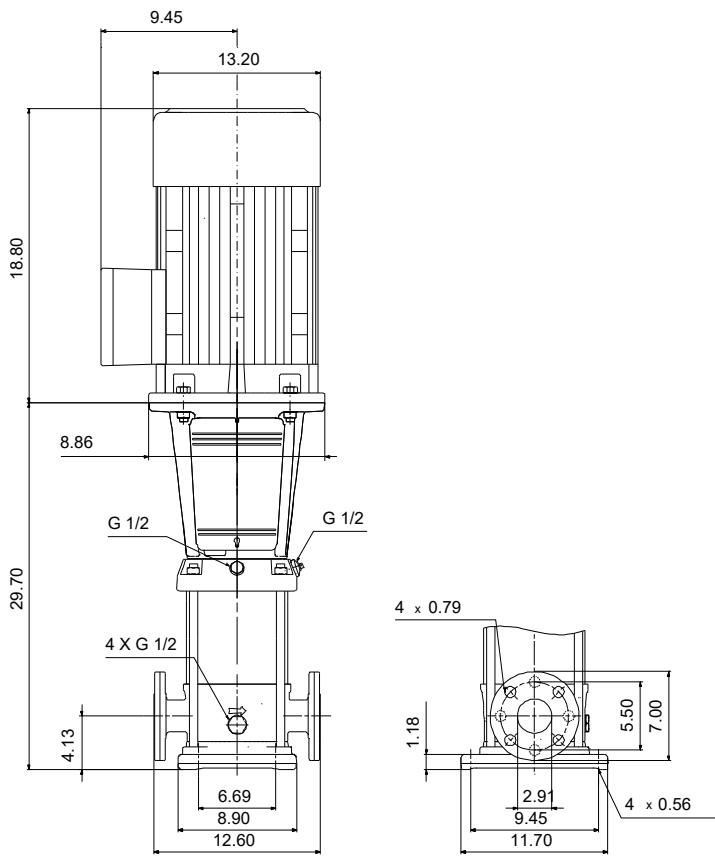
Vertical, multistage centrifugal pump with suction and discharge ports on the same level. The pump head and base are in cast iron - all other wetted parts are in stainless steel (EN 1.4301)

Note! Product picture may differ from actual product

Conditions of Service		Pump Data		Motor Data	
Liquid:	Water	Max pressure at stated temp:	232 psi / 194 °F	Rated power - P2:	15 HP
Temperature:	68 °F	Liquid temperature range:	-4 .. 194 °F	Rated voltage:	230/460 V
Specific Gravity:	1.000	Maximum ambient temperature:	104 °F	Mains frequency:	60 Hz
		Shaft seal:	HQQV	Enclosure class:	IP55
		Product number:	99917969	Insulation class:	F
				Motor protection:	NONE
				Motor type:	WEG
				Eta 1/1:	91 %



Submittal Data



Materials:

Base: Cast iron
EN 1563 EN-GJS-500-7
ASTM A536 80-55-06

Impeller: Stainless steel
AISI 304
EN 1.4301

Material code: A
Code for rubber: V

Qty. Description

1 CR 32-3 A-G-A-V-HQQV



Note! Product picture may differ from actual product

Product No.: [99917969](#)

Vertical, multistage centrifugal pump with inlet and outlet ports on same the level (inline). The pump head and base are in cast iron – all other wetted parts are in stainless steel. A cartridge shaft seal ensures high reliability, safe handling, and easy access and service. Power transmission is via a rigid split coupling. Pipe connection is via ANSI flanges.

The pump is fitted with a 3-phase, fan-cooled asynchronous motor.

Further product details

Steel, cast iron and aluminium components have an epoxy-based coating made in a cathodic electro-deposition (CED) process.

CED is a high-quality dip-painting process where an electrical field around the products ensures deposition of paint particles as a thin, well-controlled layer on the surface.

An integral part of the process is a pretreatment.

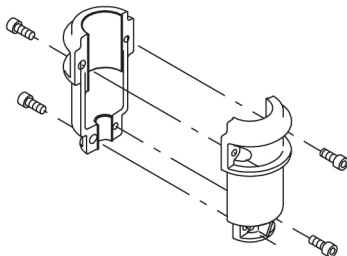
The entire process consists of these elements:

- 1) Alkaline-based cleaning.
- 2) Zinc phosphating.
- 3) Cathodic electro-deposition.
- 4) Curing to a dry film thickness 18-22 my m.

The colour code for the finished product is NCS 9000/RAL 9005.

Pump

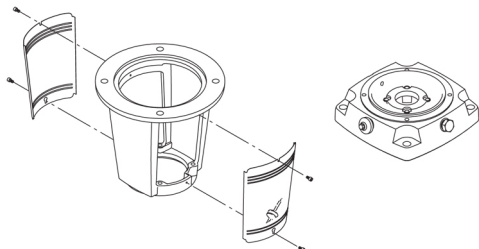
A long split coupling connects the pump and motor shaft. It is enclosed in the motor stool by means of two coupling guards. The long coupling makes it possible to replace the shaft seal without removing the motor from the pump.



The motor stool connects the pump head and motor. The pump head has a combined 1/2" priming plug and vent screw.

Qty. Description

1



The pump is fitted with a balanced O-ring seal unit with a rigid torque-transmission system.

This seal type is assembled in a cartridge unit which makes replacement safe and easy.

Due to the balancing, this seal type is suitable for high-pressure applications.

The cartridge construction also protects the pump shaft from possible wear from a dynamic O-ring between pump shaft and shaft seal.

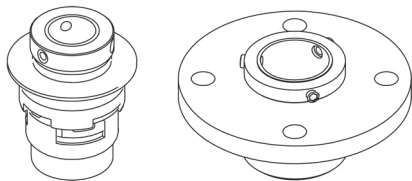
Seal faces:

- Rotating seal ring material: silicon carbide (SiC)
- Stationary seat material: silicon carbide (SiC)

This material pairing is used where higher corrosion resistance is required. The high hardness of this material pairing offers good resistance against abrasive particles.

Secondary seal material: FKM (fluorocarbon rubber)

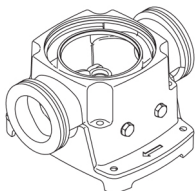
FKM has excellent resistance to oils and chemicals. Above 90 °C, FKM should only be used in media without water.



The shaft seal is retained in the pump head by a cover and screws. It can be replaced without removing the motor.

The chambers and impellers are made of stainless-steel sheet. The chambers are provided with a PTFE neck ring offering improved sealing and high efficiency. The impellers have smooth surfaces, and the shape of the blades ensure a high efficiency.

The base is made of cast iron. Both the inlet and the outlet side of the base have two pressure gauge tapings. The pump is secured to the foundation by four bolts through the base plate. The flanges are fastened to the base by means of locking rings.



Motor

The motor is a totally enclosed, fan-cooled motor with principal dimensions to IEC and DIN standards. The motor is flange-mounted with free-hole flange (FF).

Motor-mounting designation in accordance with IEC 60034-7: IM B 5 (Code I) / IM 3001 (Code II).

Electrical tolerances comply with IEC 60034.

The motor efficiency is classified as premium efficiency in accordance with EISA2007.

The motor does not incorporate motor protection and must be connected to a motor-protective circuit breaker which can be manually reset. The motor-protective circuit breaker must be set according to the rated current of the motor (I1/1).



Company name:

Created by:

Phone:

Date:

27/02/2026

Qty.	Description
1	<p>The motor can be connected to a variable speed drive for adjustment of pump performance to any duty point. Grundfos CUE offers a range of variable speed drives. Please find more information in Grundfos Product Center.</p> <p>Technical data</p> <p>Liquid: Pumped liquid: Water Liquid temperature range: -4 .. 194 °F Selected liquid temperature: 68 °F Density: 62.29 lb/ft³</p> <p>Technical: Pump speed on which pump data are based: 3444 rpm Rated flow: 159 US GPM Rated head: 93.71 psi Actual impeller diameter: 4.66 in Pump orientation: Vertical Shaft seal arrangement: Single Primary shaft seal: HQQV Code for shaft seal: HQQV Approvals: CURUS Curve tolerance: ISO9906:2012 3B</p> <p>Materials: Type key, code for materials: A Type key, code for rubber components. E = EPDM, V=FKM: V Base: Cast iron EN 1563 EN-GJS-500-7 ASTM A536 80-55-06 Impeller: Stainless steel EN 1.4301 AISI 304 Bearing: SIC Support bearing: Graflon</p> <p>Installation: Maximum ambient temperature: 104 °F Maximum operating pressure: 232.06 psi Max pressure at stated temp: 232 psi / 194 °F 232 psi / -4 °F Type of connection: ANSI Size of inlet connection: 2 1/2 inch Size of outlet connection: 2 1/2 inch Pressure rating for connection: PN 16 Flange rating inlet: 150 lb Flange size for motor: 254TC</p> <p>Electrical data:</p>



Company name:

Created by:

Phone:

Date:

27/02/2026

Qty.	Description
1	Motor standard: NEMA
	Motor type: WEG
	Rated power - P2: 15 HP
	Power (P2) required by pump: 15 HP
	Mains frequency: 60 Hz
	Rated voltage: 3 x 230/460 V
	Service factor: 1.15
	Rated current: 34.8/17.4 A
	Starting current: 680 %
	Cos phi - power factor: 0.87
	Rated speed: 3525 rpm
	IE efficiency: IE3 91%
	IE Efficiency class: IE3 / NEMA Premium
	Motor efficiency at full load: 91 %
	Motor efficiency at 3/4 load: 91 %
	Motor efficiency at 1/2 load: 89.5 %
	Number of poles: 2
	Enclosure class (IEC 34-5): IP55
	Insulation class (IEC 85): F
	Motor No: 99883247
	Controls:
	Frequency converter: None
	Others:
	DOE Pump Energy Index CL: 0.87
	Net weight: 331 lb
	Gross weight: 349 lb
	Shipping volume: 17.5 ft ³
	Country of origin: US
	Custom tariff no.: 8413.70.2040



Company name:

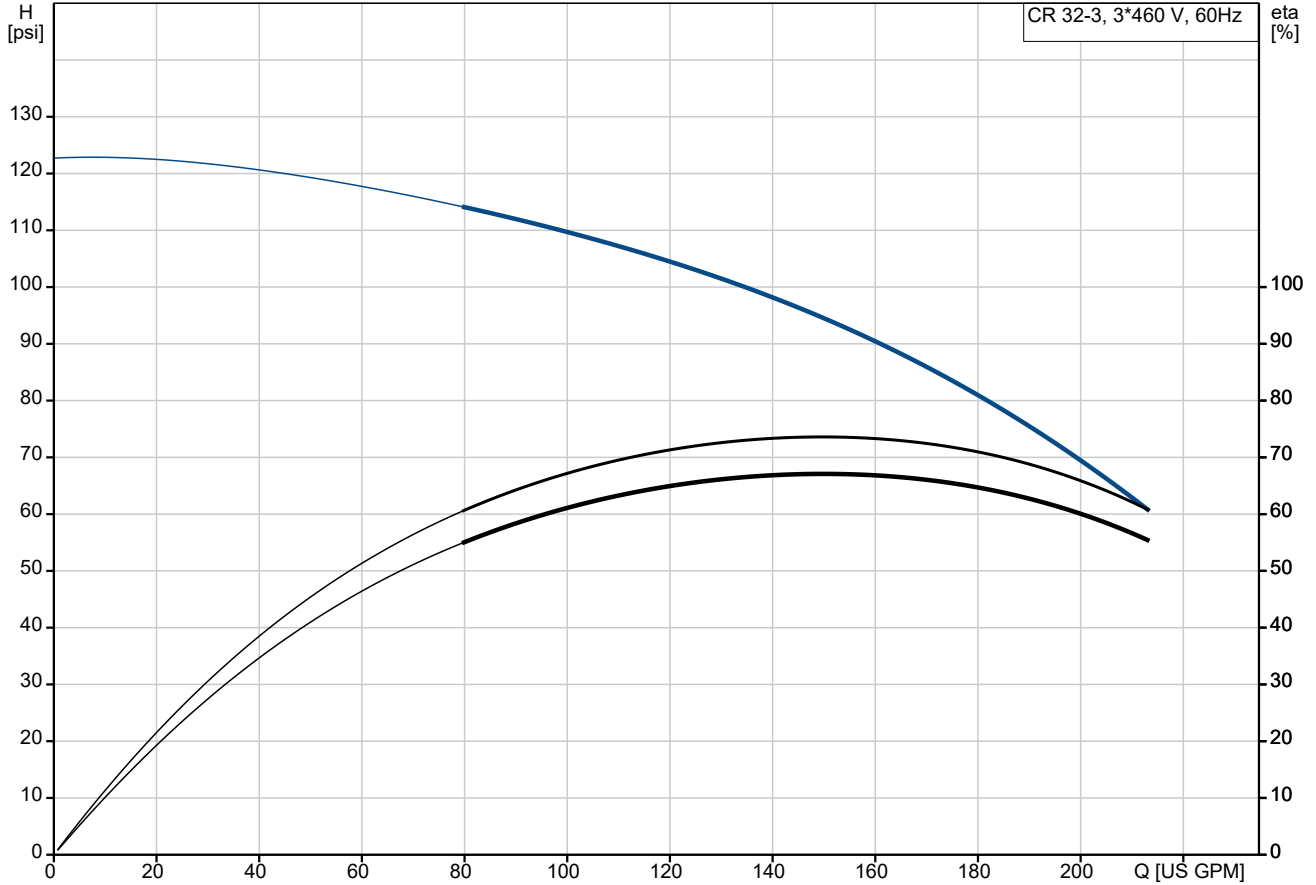
Created by:

Phone:

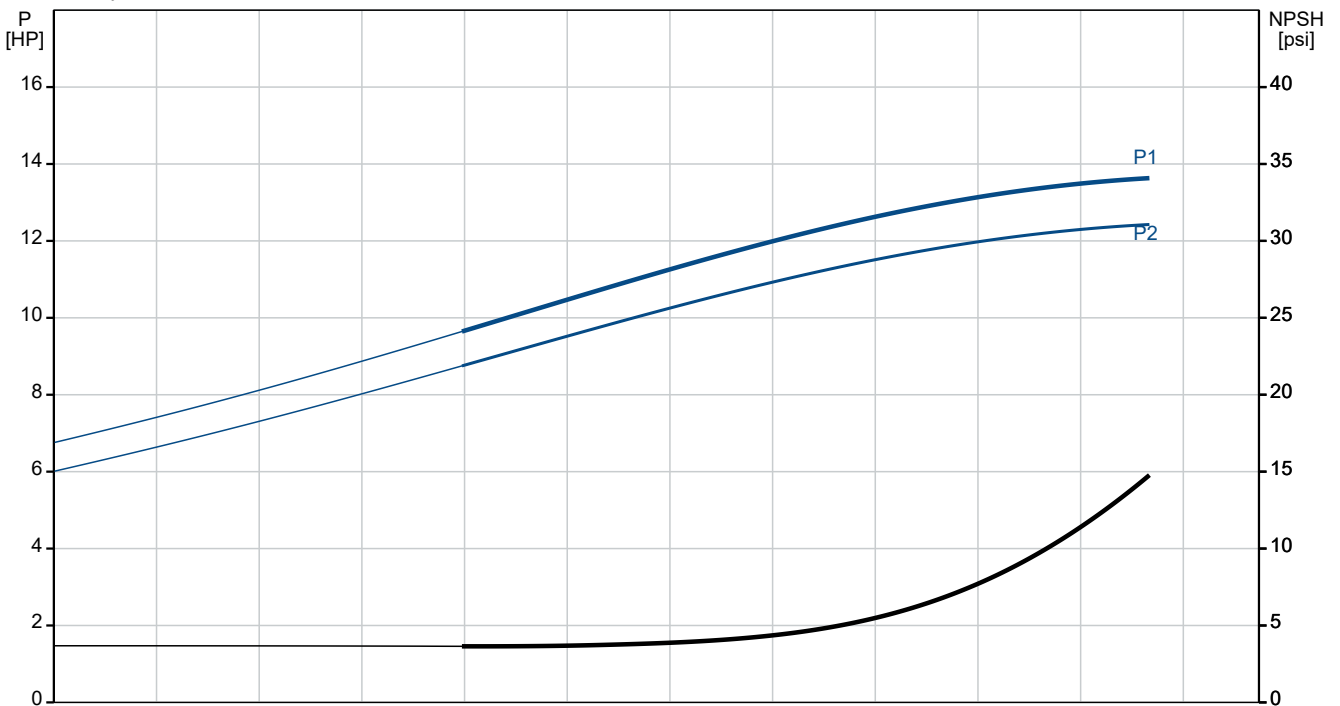
Date:

27/02/2026

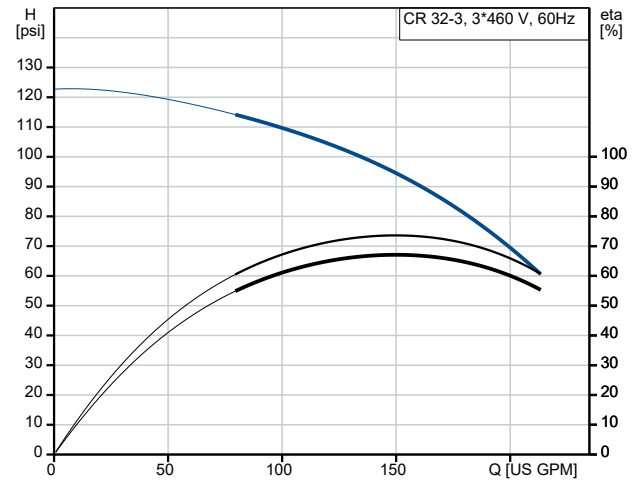
99917969 CR 32-3 A-G-A-V-HQQV 60 Hz



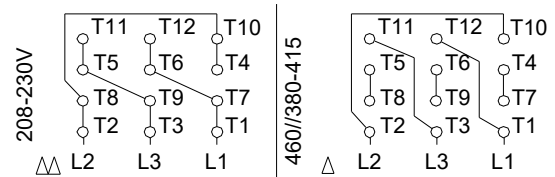
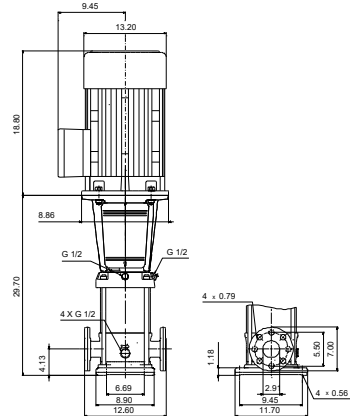
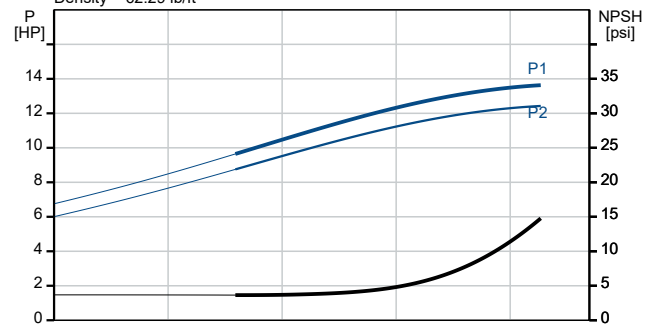
Pumped liquid = Water
Liquid temperature during operation = 68 °F
Density = 62.29 lb/ft³



Description	Value
General information:	
Product name:	CR 32-3 A-G-A-V-HQQV
Product No:	99917969
EAN number:	5715114128209
Technical:	
Pump speed on which pump data are based:	3444 rpm
Rated flow:	159 US GPM
Rated head:	93.71 psi
Maximum head:	121.3 psi
Actual impeller diameter:	4.66 in
Stages:	3
Impellers:	3
Number of reduced-diameter impellers:	0
Low NPSH:	N
Pump orientation:	Vertical
Shaft seal arrangement:	Single
Primary shaft seal:	HQQV
Code for shaft seal:	HQQV
Approvals:	CURUS
Curve tolerance:	ISO9906:2012 3B
Pump version:	A
Model:	B
Cooling:	IC 411
Materials:	
Type key, code for materials:	A
Type key, code for rubber components. E = EPDM, V=FKM:	V
Base:	Cast iron EN 1563 EN-GJS-500-7
Impeller:	ASTM A536 80-55-06 Stainless steel EN 1.4301 AISI 304
Material code:	A
Code for rubber:	V
Bearing:	SIC
Support bearing:	Graffon
Installation:	
Maximum ambient temperature:	104 °F
Maximum operating pressure:	232.06 psi
Max pressure at stated temp:	232 psi / 194 °F 232 psi / -4 °F
Type key, code for pipework connection:	G
Type of connection:	ANSI
Size of inlet connection:	2 1/2 inch
Size of outlet connection:	2 1/2 inch
Pressure rating for connection:	PN 16
Flange rating inlet:	150 lb
Flange size for motor:	254TC
Connect code:	G
Liquid:	
Pumped liquid:	Water
Liquid temperature range:	-4 .. 194 °F
Selected liquid temperature:	68 °F
Density:	62.29 lb/ft³



Pumped liquid = Water
Liquid temperature during operation = 68 °F
Density = 62.29 lb/ft³





Company name:

Created by:

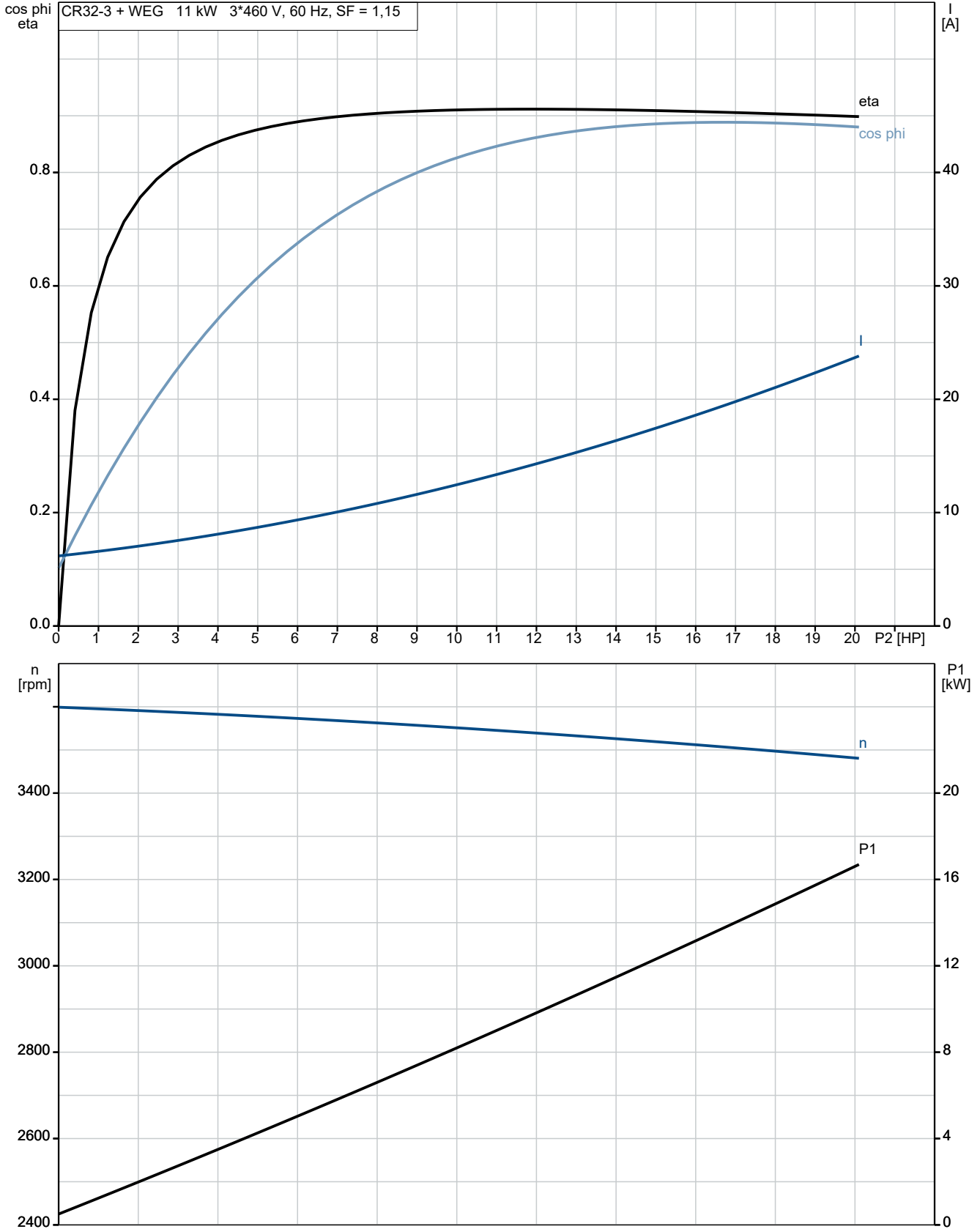
Phone:

Date:

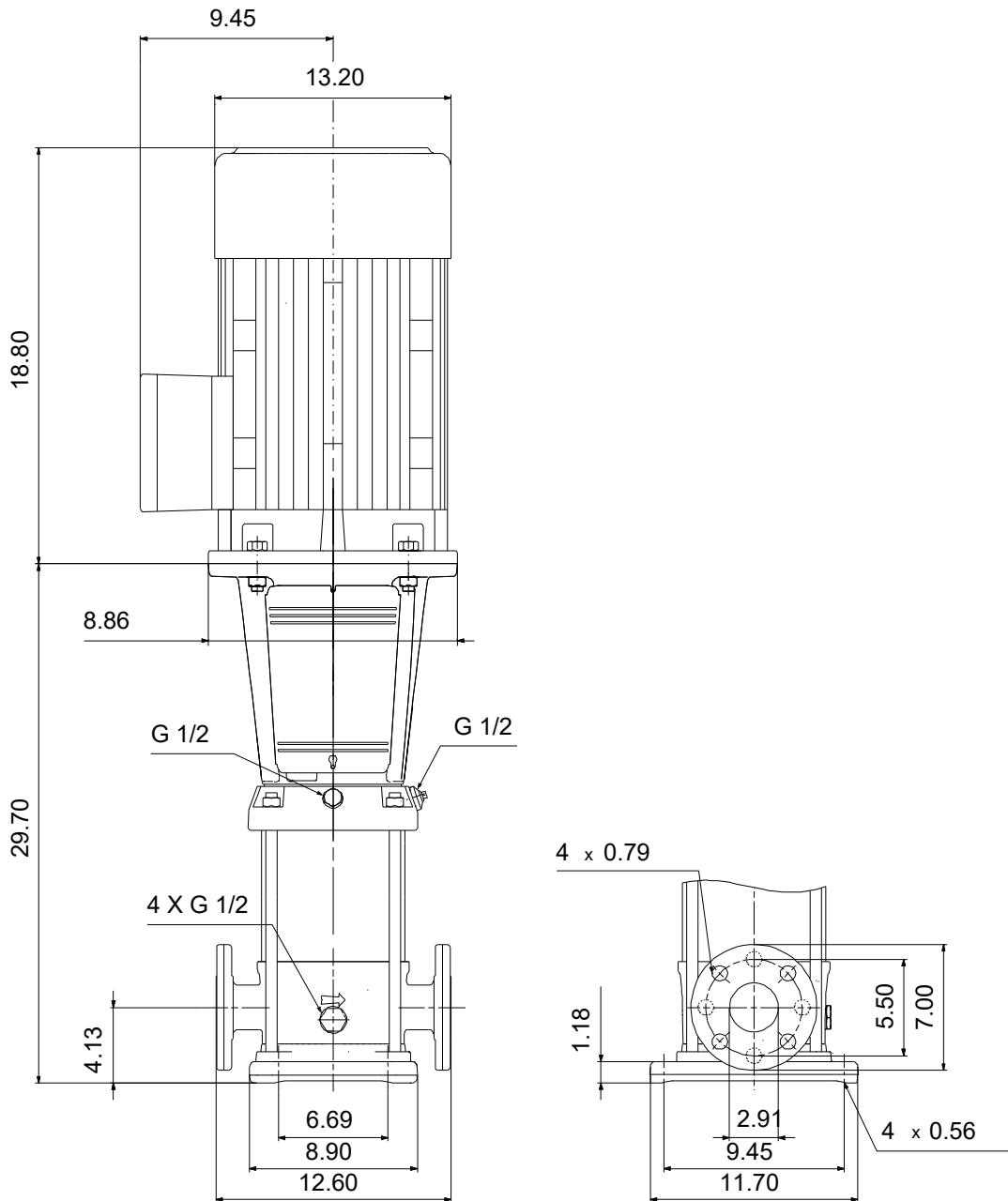
27/02/2026

Description	Value
Electrical data:	
Motor standard:	NEMA
Motor type:	WEG
Rated power - P2:	15 HP
Power (P2) required by pump:	15 HP
KVA code:	L
Mains frequency:	60 Hz
Rated voltage:	3 x 230/460 V
Service factor:	1.15
Rated current:	34.8/17.4 A
Starting current:	680 %
SF current:	40/20 A
Cos phi - power factor:	0.87
Rated speed:	3525 rpm
IE efficiency:	IE3 91%
IE Efficiency class:	IE3 / NEMA Premium
Motor efficiency at full load:	91 %
Motor efficiency at 3/4 load:	91 %
Motor efficiency at 1/2 load:	89.5 %
Number of poles:	2
Enclosure class (IEC 34-5):	IP55
Insulation class (IEC 85):	F
Built-in motor protection:	NONE
Motor No:	99883247
Controls:	
Frequency converter:	None
Others:	
DOE Pump Energy Index CL:	0.87
Net weight:	331 lb
Gross weight:	349 lb
Shipping volume:	17.5 ft ³
Country of origin:	US
Custom tariff no.:	8413.70.2040

99917969 CR 32-3 A-G-A-V-HQQV 60 Hz

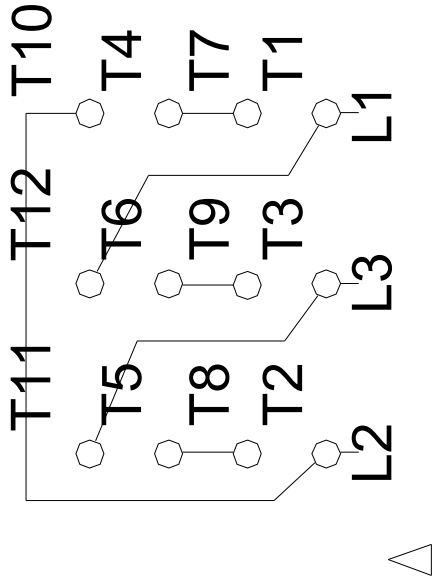


99917969 CR 32-3 A-G-A-V-HQQV 60 Hz

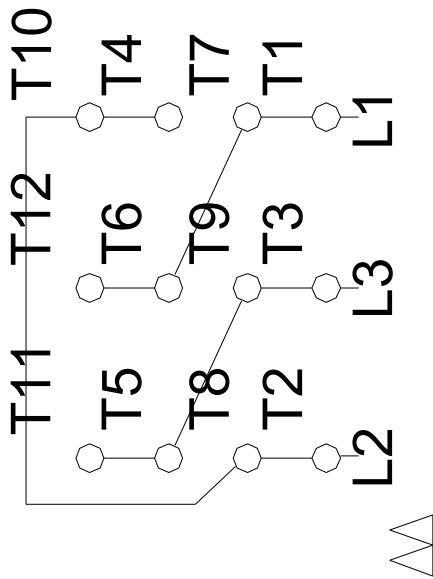


Note! All units are in [in] unless others are stated.
 Disclaimer: This simplified dimensional drawing does not show all details.

99917969 CR 32-3 A-G-A-V-HQQV 60 Hz



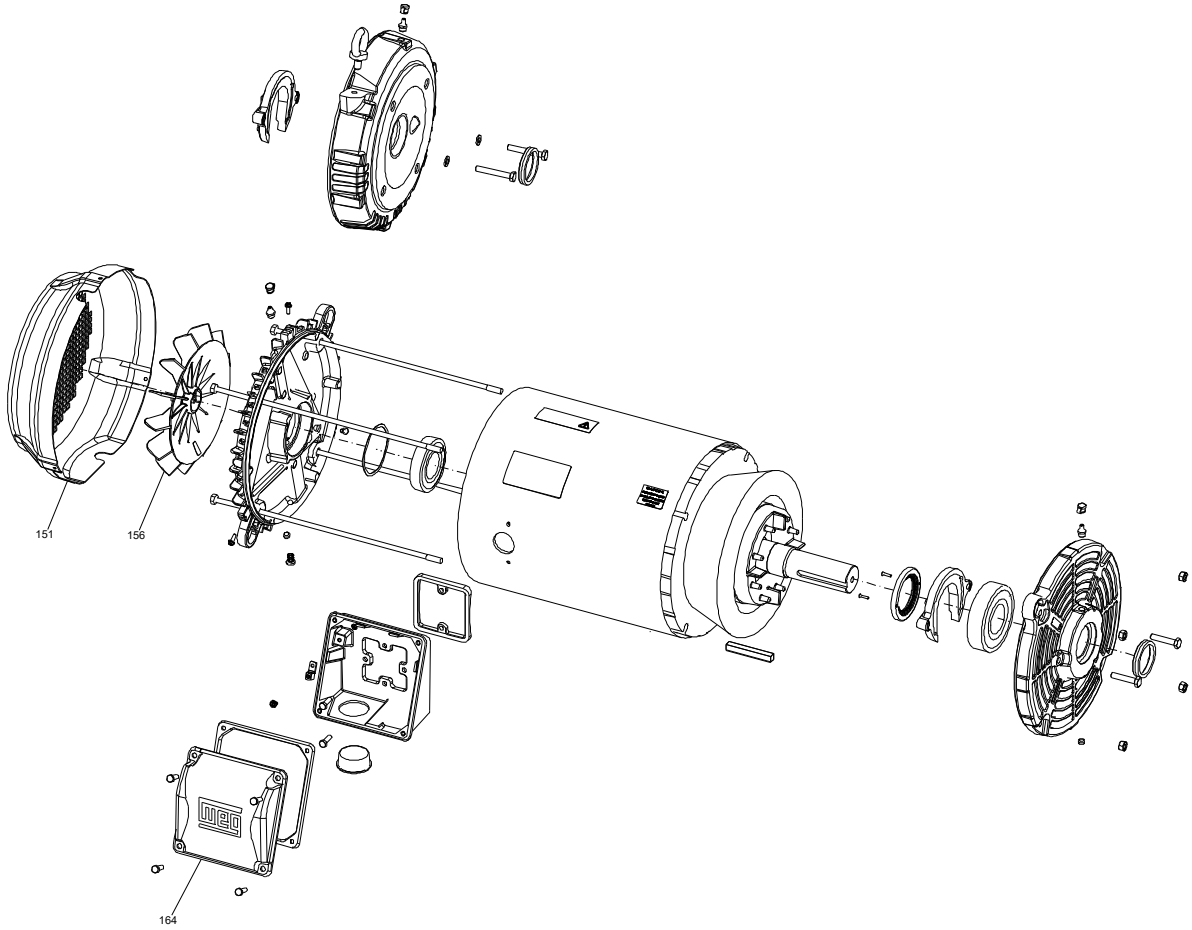
460//380-415



208-230V

Note! All units are in [in] unless others are stated.

(TM077269 for WEG motor)



Spare parts CR 32-3, Product No. 99917969
Produced After 2053 (production year and week number)

Pos	Description	Annotation	Classification Data	Part no.	Qty.	Unit
-	Kit, Chamber stack			96416277	1	pcs
+ 80	Chamber stack				1	pcs
+ 3	Upper chamber cpl.				1	pcs
+ 4a	Intermediate chamber cpl.				1	pcs
+ 4	Intermediate chamber cpl.				1	pcs
	26c Flat Washer				2	pcs
	26b Hex socket head cap screw				2	pcs
	26a Strap cpl.				2	pcs
+ 44	Suction interconnector cpl.				1	pcs
+ 45a	Neck ring cpl.				1	pcs
	45 Seal ring				1	pcs
+ 45a	Neck ring cpl.				1	pcs
	45 Seal ring				1	pcs
	46 Neck ring				1	pcs
+ 47a	Bearing cpl.				1	pcs
	47 Bearing				1	pcs
	47d Lock ring				1	pcs
	47c Bush				1	pcs
	47d Lock ring				1	pcs
	47c Bush				1	pcs
+ 49e	Impeller cpl.				3	pcs
	48 Nut				1	pcs
	49b Split cone				1	pcs
+ 49	Impeller				1	pcs
	49c Wear ring				1	pcs
	51 Shaft				1	pcs
	65 Top f/neck ring				1	pcs
-	Kit, Chambers			98497462	1	pcs
+ 4a	Intermediate chamber cpl.				1	pcs
+ 45a	Neck ring cpl.				1	pcs
	45 Seal ring				1	pcs
	46 Neck ring				1	pcs
+ 47a	Bearing cpl.				1	pcs
	47 Bearing				1	pcs
	65 Top f/neck ring				1	pcs
-	Kit, Coupling			92591181	1	pcs
+ 8	Coupling cpl.				1	pcs
	9 Hex socket head cap screw				4	pcs
	10a Coupling				2	pcs
-	Kit, Coupling guard			96505135	1	pcs
	7a Socket button head screw				4	pcs
	7 Coupling guard				2	pcs
-	Kit, Cover			98832448	1	pcs
	58a Hex socket head cap screw				4	pcs
	58 Cover				1	pcs
-	Kit, Gaskets			96416598	1	pcs
	37 O-ring				2	pcs
	38 O-ring				6	pcs
	60 Spring				4	pcs
	109 O-ring				1	pcs
	110 O-ring				1	pcs
-	Kit, Impeller			98497465	1	pcs

Pos	Description	Annotation	Classification Data	Part no.	Qty.	Unit
48	Nut				1	pcs
48	Nut				1	pcs
49b	Split cone				1	pcs
+ 49	Impeller				1	pcs
49c	Wear ring				1	pcs
-	Kit, Plug			99017530	1	pcs
25	Plug				3	pcs
25a	Pipe plug				1	pcs
25	Drain plug				1	pcs
38	O-ring				6	pcs
38	O-ring				6	pcs
-	Kit, Shaft seal HQQV			96525490	1	pcs
+ 105	Shaft seal				1	pcs
109	O-ring				1	pcs
110	O-ring				1	pcs
113	Socket set screw				3	pcs
-	Kit, Wear parts			98497451	1	pcs
45	Seal ring				7	pcs
47d	Lock ring				7	pcs
47c	Bush				5	pcs
49c	Wear ring				7	pcs
65	Top f/neck ring				7	pcs
-	Spare, Base			96547299	1	pcs
6	Base				1	pcs
-	Motor				1	pcs
	Spare, Motor fan			99960006	1	pcs
	Spare, Motor fan cover			99962322	1	pcs
	Spare, Terminal box cover			99962357	1	pcs
1a	Motor stool			99993999	1	pcs
2	Pump head			96587722	1	pcs
- 3	Bulk, Upper chamber cpl. (10 PC)			92720483	1	pcs
47c	Bulk, Bush (10 PC)			99321194	1	pcs
47c	Bush			93203106	1	pcs
+ 3	Upper chamber cpl.			98633863	1	pcs
- 4a	Bulk, Intermediate chamber cpl. (5 PC)			99262755	1	pcs
47	Bulk, Bearing (10 PC)			99964632	1	pcs
+ 4a	Intermediate chamber cpl.			99363114	1	pcs
- 4	Bulk, Intermediate chamber cpl. (3 PC)			96534939	1	pcs
- 45a	Bulk, Neck ring cpl. (10 PC)			98686545	1	pcs
45	Bulk, Seal ring (10 PC)			97915217	1	pcs
65	Bulk, Top f/neck ring (10 PC)			96534931	1	pcs
+ 4	Intermediate chamber cpl.			98497466	1	pcs
7a	Bulk, Socket button head screw (10 PC)			96549696	4	pcs
7	Bulk, Coupling guard (10 PC)			96603279	2	pcs
9	Bulk, Hex socket head cap screw (4 PC)			99789390	4	pcs
+ 18	Bulk, Air vent screw cpl. (5 PC)			96547461	1	pcs
+ 18	Air vent screw cpl.			95061351	1	pcs
25	Bulk, Plug (10 PC)			96536013	1	pcs
25	Plug			95061733	1	pcs
26c	Bulk, Flat Washer (4 PC)			99262704	2	pcs
26c	Bulk, Flat Washer (10 PC)			99886930	2	pcs
26b	Bulk, Hex socket head cap screw (10 PC)			98931380	2	pcs
26a	Strap cpl.			98983836	2	pcs
26	Staybolt			98976695	4	pcs
28	Bulk, Hex socket head cap screw (10 PC)			96536147	4	pcs
32	Bulk, Flat Washer (100 PC)			98923051	4	pcs
36	Bulk, Hex nut (20 PC)			96620480	4	pcs



Company name:

Created by:

Phone:

Date:

27/02/2026

Pos	Description	Annotation	Classification Data	Part no.	Qty.	Unit
37	Bulk, O-ring (10 PC)			96536151	1	pcs
37	O-ring			98792389	1	pcs
38	Bulk, O-ring (10 PC)			99198813	2	pcs
38	Bulk, O-ring (50 PC)			99412883	2	pcs
+ 44	Suction interconnector cpl.			96547328	1	pcs
+ 47a	Bulk, Bearing cpl. (5 PC)			99366796	1	pcs
+ 47a	Bulk, Bearing cpl. (10 PC)			99620191	1	pcs
+ 47a	Bulk, Bearing cpl. (10 PC)			96534932	1	pcs
- 49e	Bulk, Impeller cpl. (10 PC)			96534935	3	pcs
48	Bulk, Nut (3 PC)			99262680	1	pcs
48	Bulk, Nut (10 PC)			99262683	1	pcs
48	Bulk, Nut (10 PC)			96536016	1	pcs
49b	Bulk, Split cone (10 PC)			96536010	1	pcs
- 49	Bulk, Impeller (10 PC)			93541896	1	pcs
49c	Bulk, Wear ring (10 PC)			96534930	1	pcs
51	Shaft			98506276	1	pcs
55	Outer sleeve			99031510	1	pcs
58	Cover			98893158	1	pcs
60	Bulk, Spring (20 PC)			96536032	4	pcs
- 105	Bulk, Shaft seal (12 PC)			96984082	1	pcs
	Grease			98561889	0	G
	Adjusting fork			96587896	1	pcs
109	Bulk, O-ring (10 PC)			96547595	1	pcs
440b	Bulk, Lock ring (4 PC)			96534918	1	pcs