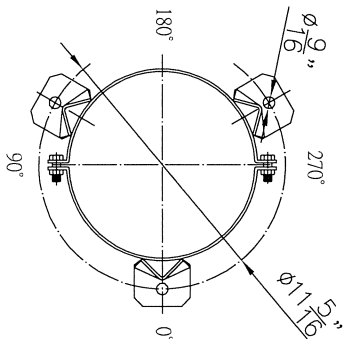
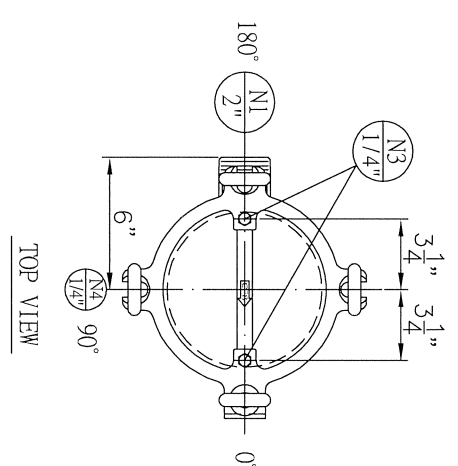
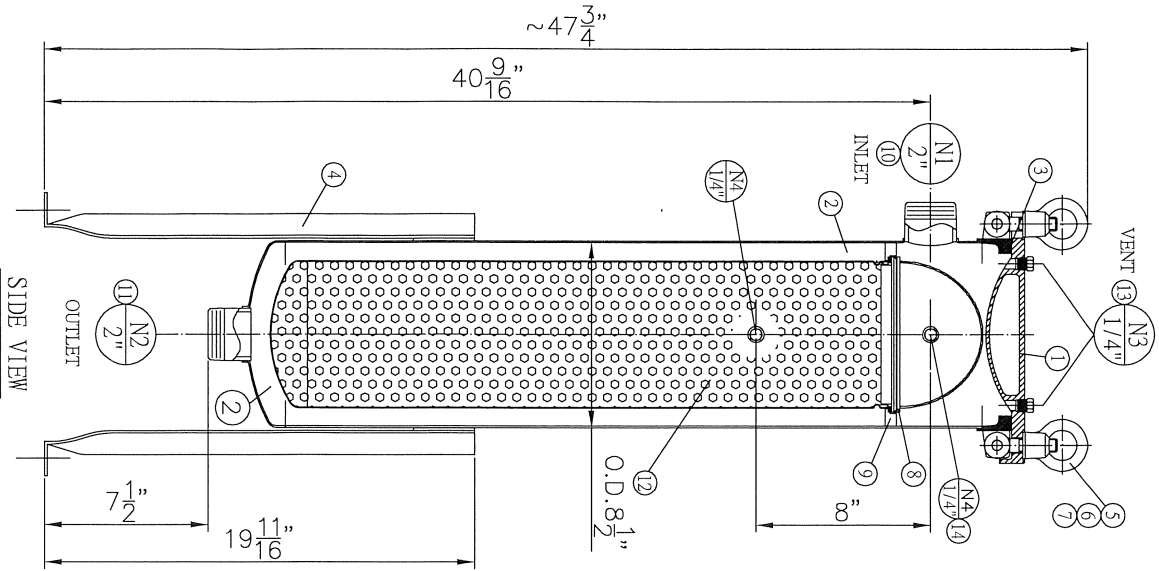


FOR APPROVAL



**BILL OF MATERIALS**

(QUANTITY PER UNIT)

PROD ORDER \_\_\_\_\_ S.O. \_\_\_\_\_ MFG. SERIAL NO. \_\_\_\_\_  
 CUSTOMER \_\_\_\_\_ DESIGN 150 PSIG 93 °C  
 DESTINATION \_\_\_\_\_ MAX. A.W.P. \_\_\_\_\_ PSIG \_\_\_\_\_ °C  
 CUST. P.O. \_\_\_\_\_ HYDROSTATIC TESTED 225 PSIG  
 CUST.EQUIP \_\_\_\_\_ CODE \_\_\_\_\_  
 NO OF UNITS \_\_\_\_\_ SCH SHIP DATE \_\_\_\_\_  
 WEIGHT EMPTY \_\_\_\_\_ KG. FULL \_\_\_\_\_ KG

NO.	DESCRIPTION	QUAN.	MATERIAL	PART NO.
1	FILTER COVER	1	316 S/S	
2	FILTER SHELL	1	316 S/S	
3	GASKET	1	EPDM	
4	LEG	3	304 S/S	
5	EYENUT	4	316 S/S	
6	EYEBOLT PIN	4	304 S/S	
7	EYEBOLT	4	316 S/S	
8	DEPRESSOR	1	316 S/S	
9	COMPRESSION PLATE	1	316 S/S	
10	INLET 2" NPT	1	316 S/S	
11	OUTLET 2" NPT	1	316 S/S	
12	STEEL BASKET	1	316 S/S	
13	VENT 1/4" F.NPT	2	316 S/S WITH PLUG	
14	GAUGE 1/4" F.NPT	2	316 S/S WITH PLUG	



Filtrafine Corporation

FOR TITLE ARRANGEMENT AND ASSEMBLY DRAWING

NAME FSB2S-S-2TN REV:A SCALE:NONE

PROJECT NO. ORDER NO. DRAWING NO. C-FSBS2S180417

DATE: 20180417 UNIT: INCH

This document is the property of Filtrafine Corporation. It may not be copied in whole or part, used for manufacture of, or otherwise disclosed without prior written consent of Filtrafine Corporation.